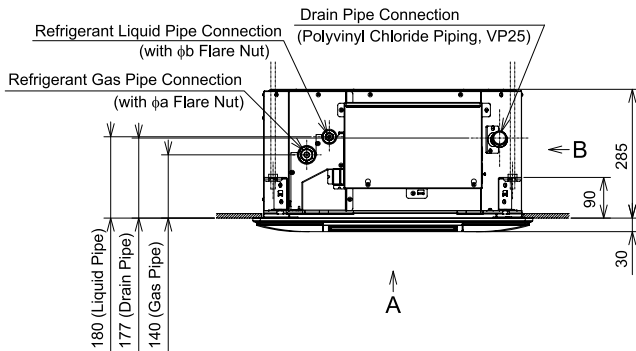
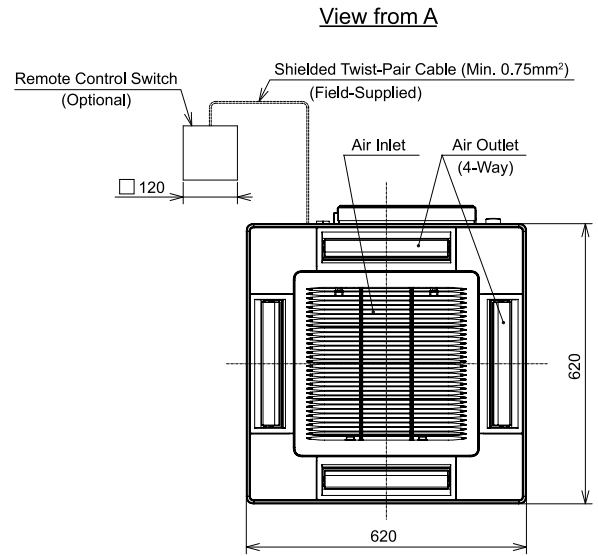
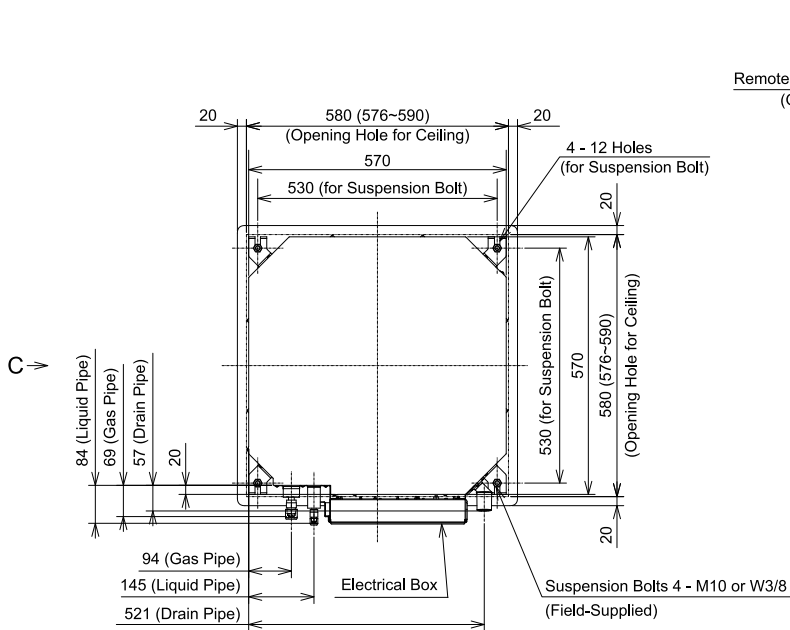
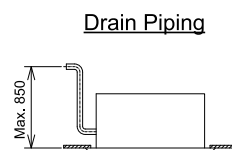
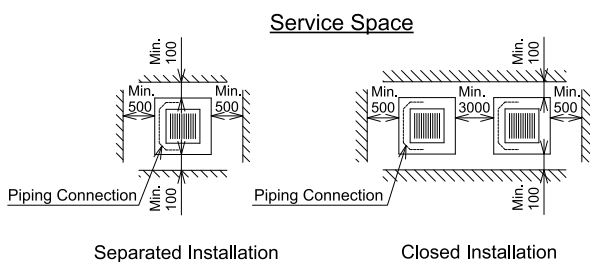
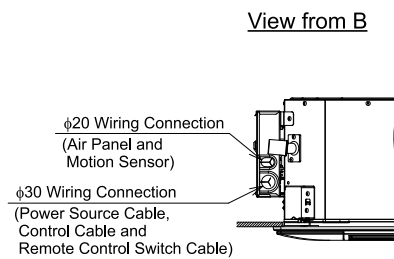
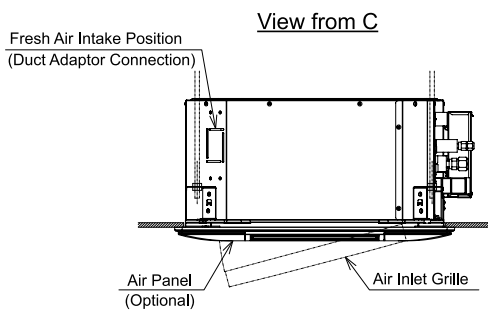


Unit: mm



Dimension	a	b
MODEL		
RAI-50RPE	12.7	6.35
RAI-60RPE	12.7	6.35



**NOTES:**

1. Distance between the wall and panel edge must be a min. 1500mm to prevent short circuiting.
2. This dimensional data shows the indoor unit with the air panel.