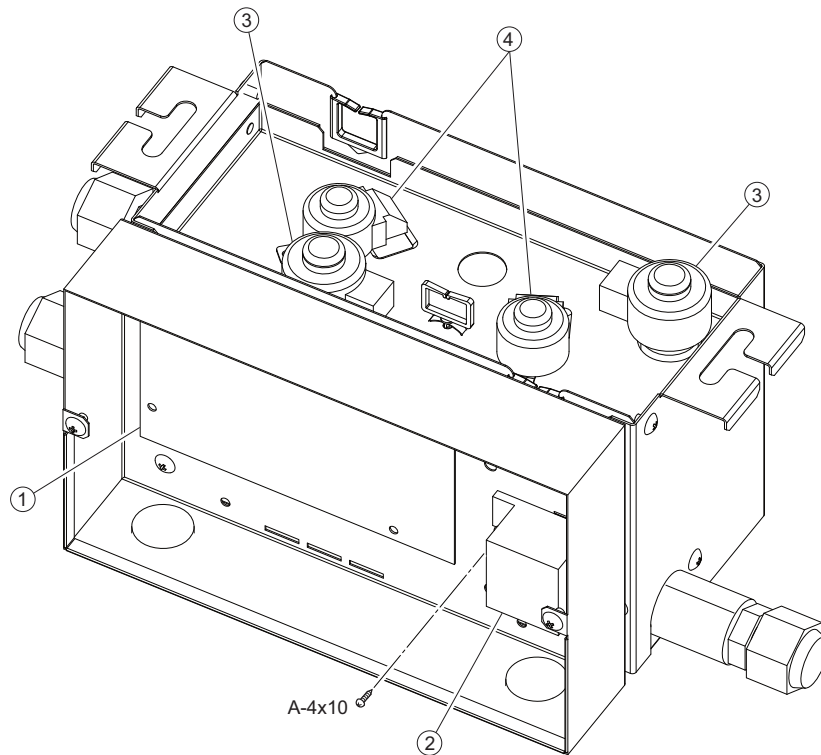
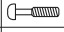

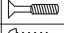




					Voltage	
					400V/50Hz	
No.	Part Name	Replacement Part		Remarks	Q'ty Per Unit	
		Draw. No.	Order No.		CH-6.0N1	CH-10.0N1
1	Printed Circuit Board	17H07818 B	P28530	PCB1	1	1
2	Terminal Board	17C61979 A	P22443	TB1: 600V, 30A	1	1
3	Coil for Expansion Valve	17F03633 A	P28512	MVD1,S1: Fuji Kouki, HAM-MD12HS-2	2	2
4	Coil for Expansion Valve	17F04523 A	P28513	MVD2,S2: Fuji Kouki, CAM-MD12HS-9	2	2



A	Truss Head Tapping Screw		F	Stud Bolt	
B	Round Head Screw		G	Nut	
C	Flat Head Screw		H	Washer	
D	Pan Head Tapping Screw		J	Spring Lock Washer	
E	Hexagon Head Bolt		K	Toothed Lock Washer	

**NOTE:**

The unicromated coating is applied to iron and steel material for the unspecified materials of the bolt and screw.