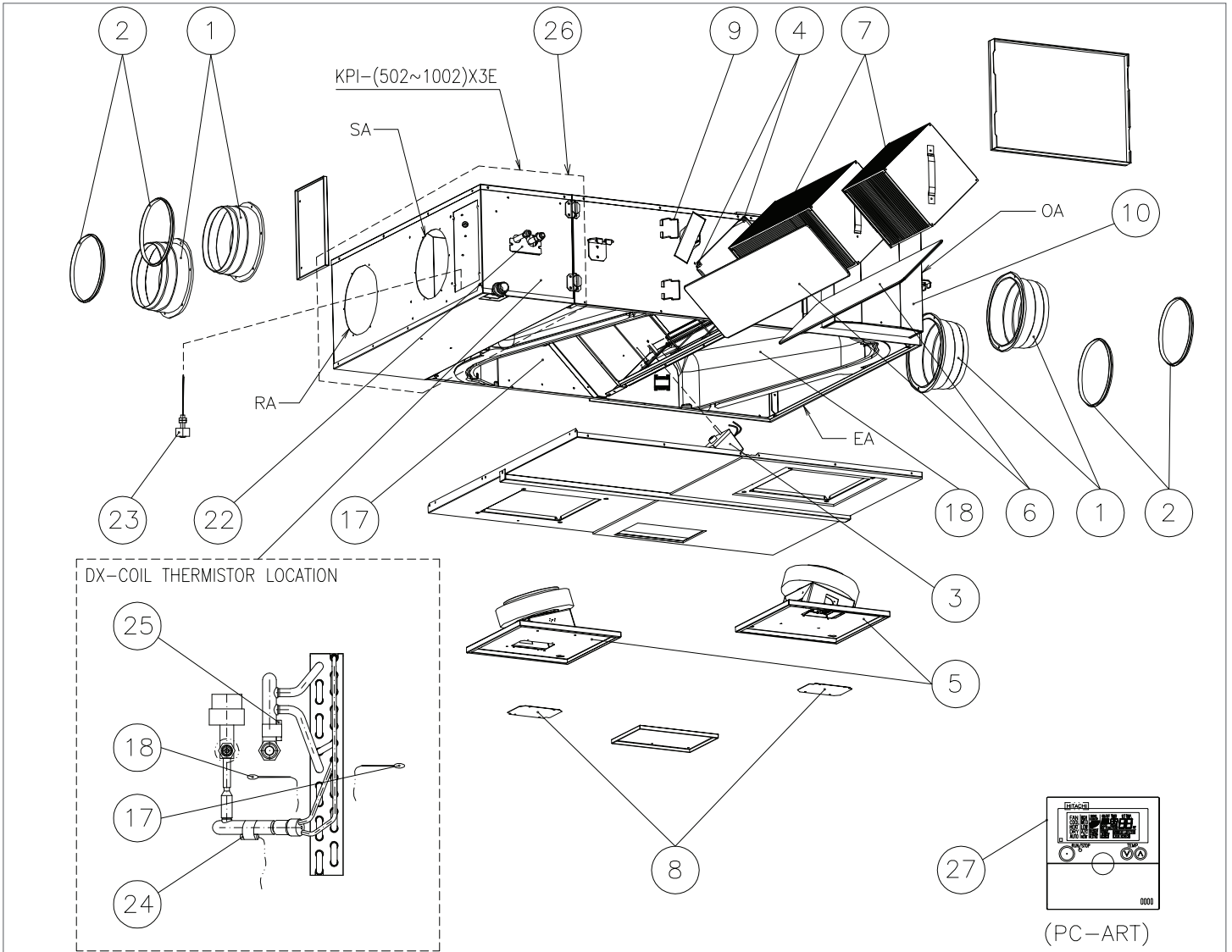


				HEAT RECOVERY					
				PRODUCT CODE					
				MODEL NAME	70602101	70602102	70602103	70602104	70602105
					KPI-502H3E 1~ 230V 50Hz	KPI-802H3E 1~ 230V 50Hz	KPI-1002H3E 1~ 230V 50Hz	KPI-1502H3E 1~ 230V 50Hz	KPI-2002H3E 1~ 230V 50Hz
No.	DESCRIPTION	DWG No	HAPE CODE	Qty	Qty	Qty	Qty	Qty	REMARKS
1	Duct Connector	-	E03190						Plastic material
1	Duct Connector	-	E01725	4					Plastic material
1	Duct Connector	-	E01726		4				Plastic material
1	Duct Connector	-	E01728			4			Plastic material
1	Duct Connector	-	E01729				4	4	Plastic material
2	Duct Connection Sealing Strip	-	E03191						For Duct Connector
2	Duct Connection Sealing Strip	-	E01730	4					For Duct Connector
2	Duct Connection Sealing Strip	-	E01731		4				For Duct Connector
2	Duct Connection Sealing Strip	-	E01733			4			For Duct Connector
2	Duct Connection Sealing Strip	-	E01734				4	4	For Duct Connector
3	Damper Motor	-	E01736	1	1	1	1	1	AC Motor for Damper
4	Exchanger Guide Gasket	-	E01737	4	4	4	4	4	
5	Fan Assy	-	E03193	2					Fan Cover
5	Fan Assy	-	E03194		2				Fan Cover
5	Fan Assy	-	E03195			2			Fan Cover
5	Fan Assy	-	E03196				2	2	Fan Cover
6	Air Filter	-	E02285	2					Inlet & Outlet Air
6	Air Filter	-	E02286		2				Inlet & Outlet Air
6	Air Filter	-	E02287			2			Inlet & Outlet Air
6	Air Filter	-	E02288				2		Inlet & Outlet Air
6	Air Filter	-	E02289					2	Inlet & Outlet Air
7	Heat Exchanger	-	E02297	1					Aluminium Heat Exchanger
7	Heat Exchanger	-	E02298	1					Aluminium Heat Exchanger
7	Heat Exchanger	-	E02299		1	2			Aluminium Heat Exchanger
7	Heat Exchanger	-	E02300		1				Aluminium Heat Exchanger
7	Heat Exchanger	-	E02301				1	2	Aluminium Heat Exchanger
7	Heat Exchanger	-	E02302				1		Aluminium Heat Exchanger
8	Fan Service Cover	-	E03199	2	2	2	2	2	
9	Heat Exchanger Cover Clamp	-	E01782	2	2	2	2	2	
10	E-Box Cover	-	E03203	1	1	1	1	1	
11	Fuse	XEK35307 A	E01757	2	2				2 A (6x32) - Fan Protection
11	Fuse	XEK35307 B	E01758			2	2	2	4 A (6x32) - Fan Protection
12	Transformer	XEK22108 A	E01295	1	1	1	1	1	Main Transformer
13	Printed Circuit Board (PI073)	XEK37138 E	E03058	1	1	1	1	1	
14	Printed Circuit Board	XEK37023 B	E03059	1	1	1	1	1	
15	Terminal Board	XEK21159 A	E00750	1	1	1	1	1	
16	Fuse Holder	17C68766 A	E02516	2	2	2	2	2	
17	Thermistor	XEK11209 B	E01235	1	1	1	1	1	Blue Socket
18	Thermistor	XEK11209 G	E01204	1	1	1	1	1	Red Socket
19	Spacer	XEK30992 B	P19112	8	8	8	8	8	Main PCB Holder
20	Push Spacer	XEK31888 A	E00738	4	4	4	4	4	
21	Electrical Box	XEK01211 B	E03201	1	1	1	1	1	Assembly (Components+Harness)
27	Remote Control	70510000	E01693	1	1	1	1	1	PC-ART (Optional)



KPI-(252~2002)(E/H/X)3E

