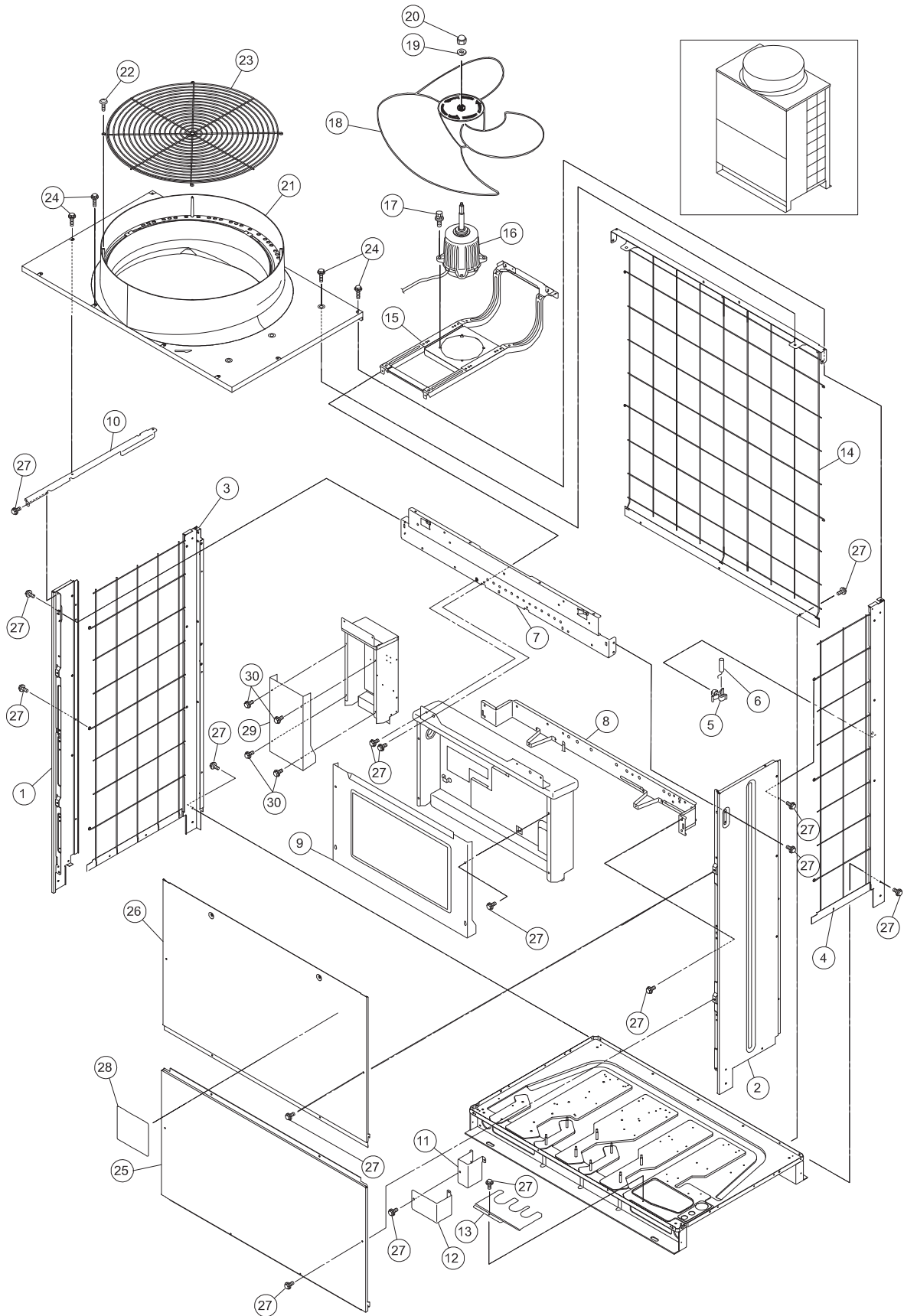
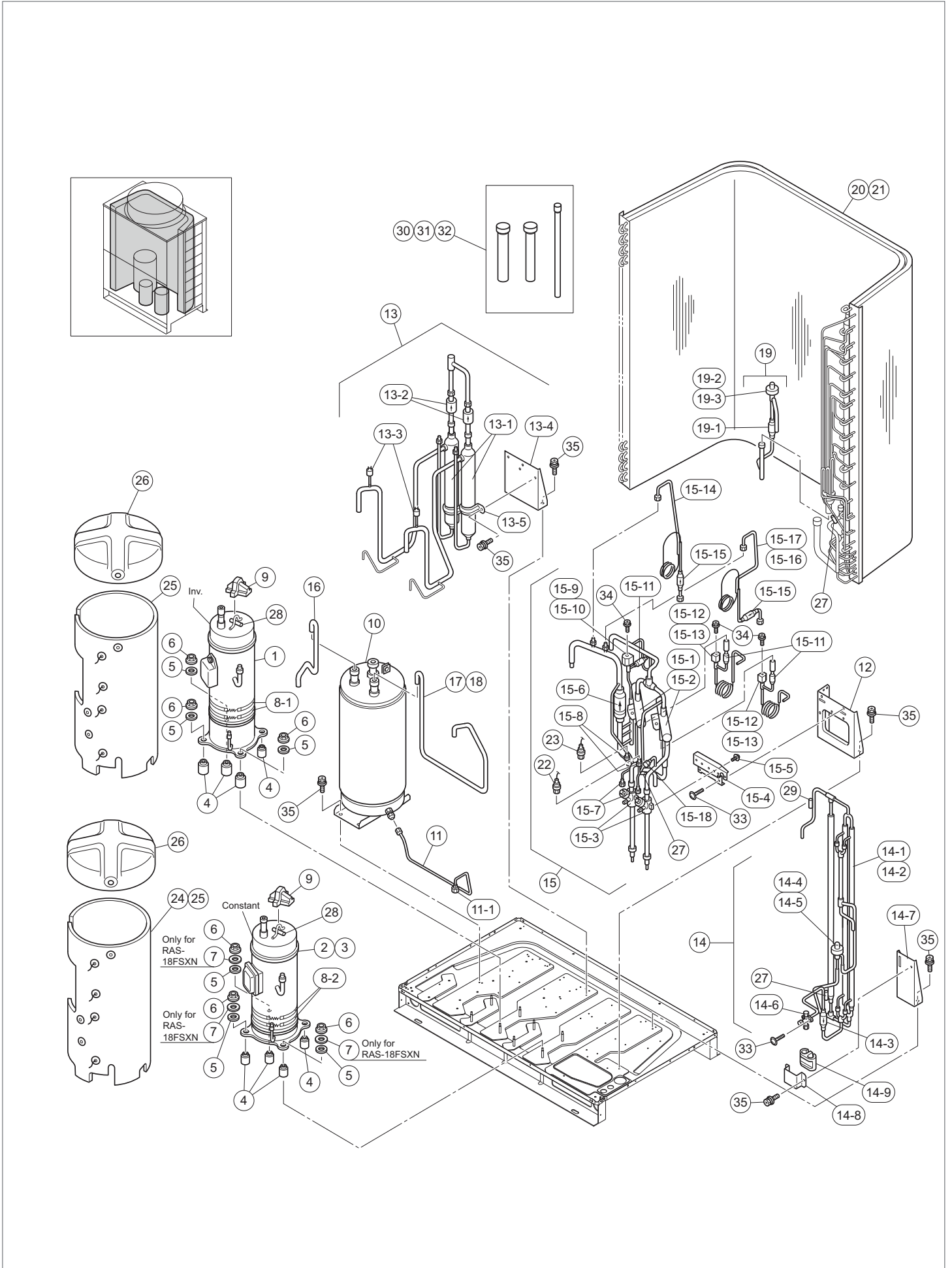


					Voltage		
					400V/50Hz		
No.	Part Name	Replacement Part		Remarks	Qty Per Unit		
		Draw. No.	Order No.		7E331030	7E331031	7E331032
					RAS-14FSXN	RAS-16FSXN	RAS-18FSXN
1	Side Cover L	17B41356 A	P28528		1	1	1
2	Side Cover R	17B41355 A	P28527		1	1	1
3	Side Cover 2 L	17F03722 A	P28486		1	1	1
4	Side Cover 2 R	17F03725 A	P28487		1	1	1
5	TH Holder	17D55179 A	E03089	for Ta Thermistor	1	1	1
6	Thermistor	17C59663 A	P22520	THM7: for Ambient (Ta)	1	1	1
7	Front Stay	17F03718 A	E03100		1	1	1
8	D Fix L Assy	XEK24255 A	E03101		1	1	1
9	E-Box Cover	XEK24212 A	E03086		1	1	1
10	Upper Stay	17F04003 A	E03092		1	1	1
11	Valve Cover 1	17H06228 A	E03093		1	1	1
12	Valve Cover 2	17H06229 A	E03094		1	1	1
13	Piping Cover	17H06168 A	E03095		1	1	1
14	Protection Net	17F03732 A	P28485		1	1	1
15	Clamp Unit	XEK24630 A	P28489		1	1	1
16	Fan Motor	17A22169 A	P28768	MOF1	1	1	1
17	Screw	17D30309 E	P26970	SUS, M5, for Fan Motor	4	4	4
18	Propeller Fan	17A21604 A	P28483	φ644	1	1	1
19	Washer	17E08525 E	P23249	SUS	1	1	1
20	Closing Nut	17D50034 D	P23248	SUS, M10	1	1	1
21	Upper Cover	17C79378 D	P26482		1	1	1
22	Screw	464M0416	E03098	SUS, M4	4	4	4
23	Air Grille	17C58631 B	P24215		1	1	1
24	Screw	17G84611 D	P27991	SUS, M5	14	14	14
25	Front Cover	17B41361 A	P28493		1	1	1
26	Service Cover L	XEK12080 A	P28491		1	1	1
27	Screw	17H12637 A	P25678	SUS, M5	35	35	35
28	HITACHI Label	XEK34697 B	E03099		1	1	1
29	Sub E-Box Cover	17F05669 A	E03102		1	1	1
30	Screw	17H12637 A	P25678	for Sub E-Box Cover	4	4	4

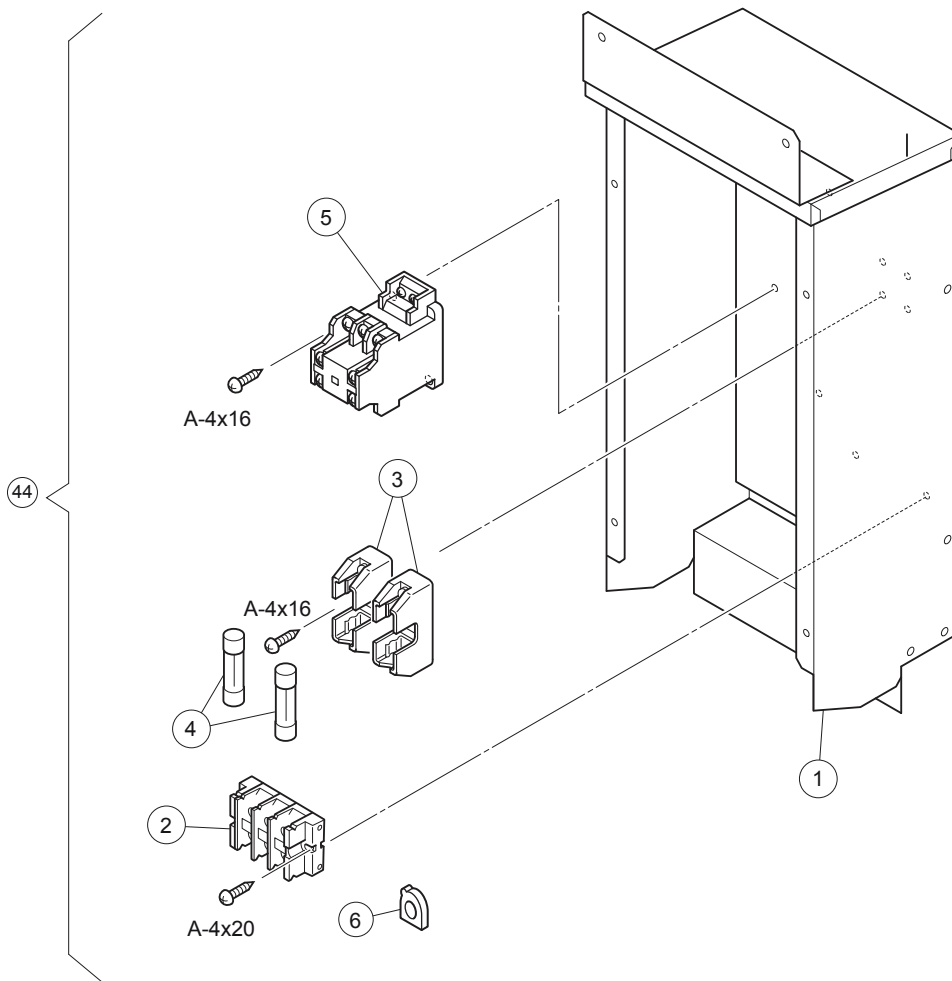


					Voltage		
					400V/50Hz,		
No.	Part Name	Replacement Part		Remarks	Qty Per Unit		
		Draw. No.	Order No.		7E331030	7E331031	7E331032
					RAS-14FSXN	RAS-16FSXN	RAS-18FSXN
1	Compressor (Inverter)	17C92349 A	06954214	MC1: E656DHD-65D2Y	1	1	1
2	Compressor (Constant)	17C78332 A	06954520	MC2: E655DH-65D2Y	1	1	
3	Compressor (Constant)	17C86150 A	06964124	MC2: E855DH-80D2Y			1
4	Vibration Proof Rubber	17D49474 A	P17308		8	8	8
5	Vibration Proof Rubber	17D21207 A	P13109		6	6	6
6	Nut	17D49475 A	P21245		6	6	6
7	Washer	17G03934 A	P27428				3
8-1	Oil Heater	17F05909 A	P28538	CH1: 40.8W, Belt Heater	2	2	2
8-2	Oil Heater	17F05909 B	P28539	CH2: 40.8W, Belt Heater	2	2	2
9	Rubber Cap	17B29767 A	P24397		2	2	2
10	Accumulator	XEK12071 A	E03137		1	1	1
11	Oil Pipe Assy	XEK37186 A	E03138		1	1	1
11-1	Check Joint	17C75461 B	P25044		1	1	1
12	Valve Stay	XEK37183 A	E03104		1	1	1
13	D-Pipe Assy	XEK12068 A	E03140		1	1	
13	D-Pipe Assy	XEK12069 A	E03141				1
13-1	Oil Separator	XEK24217 A	E03106		2	2	2
13-2	Check Valve	17C88669 A	P27310		2	2	2
13-3	High Pressure Switch	XEK22551 A	P25043	PSH1,2: Saginomiya, ACB-1UB34	2	2	2
13-4	Stay for Oil Separator	17H06170 A	E03142		1	1	1
13-5	Saddle	29ZF0051	E03109		2	2	2
14	L-Pipe Assy	XEK12065 A	E03144		1	1	1
14-1	Double Tube Assy	XEK24629 A	E03145		1	1	1
14-2	Double Tube	XEK24631 A	E03111		1	1	1
14-3	Strainer	17G62700 A	P25041		1	1	1
14-4	Expansion Valve	17C78465 A	P26007	MVB: Saginomiya, UKV-25D26	1	1	1
14-5	Coil for Expansion Valve	17C78180 C	P27606	MVB: Saginomiya, UKV-A035	1	1	1
14-6	Stop Valve (Liquid)	XEK22558 A	E01511	1/2	1	1	1
14-7	Plate Stay	17H06172 A	E03115		1	1	1
14-8	Plate Stopper	17E25685 A	E03116		1	1	1
14-9	Rubber Sheet	17G74638 A	E03117		1	1	1
15	Reversing Valve Assy	XEK12099 A	E03146		1	1	1
15-1	Reversing Valve	17C76060 A	P26468	RVR1, 2: Saginomiya, STF-0712G	2	2	2
15-2	Coil for Reversing Valve	17C74970 A	P26678	RVR1, 2: Saginomiya, STF-01AJ502D1	2	2	2
15-3	Stop Valve (Gas)	17F04492 A	P28507	1/1	2	2	2
15-4	Valve Stay	XEK37173 A	E03119		1	1	1
15-5	Screw	17D30319 C	E03120	SUS, M5	4	4	4
15-6	Strainer	17G87733 A	P27603		1	1	1
15-7	Check Joint	17C75461 B	P25044		2	2	2
15-8-1	C Joint	17E08728 B	P26292	In Drawing as 15-8	2	2	2
15-8-2	Boss	17D85299 B	E03121	In Drawing as 15-8	2	2	2
15-8-3	Pipe 1	17G56395 B	E03122	In Drawing as 15-8	2	2	2
15-9	Solenoid Valve	17C64849 A	P24511	SVA: Nichiden Kougyou, SR10P	1	1	1
15-10	Coil for Solenoid Valve	17C76434 B	E03123	SVA: Nichiden Kougyou, SR10PA	1	1	1
15-11	Strainer	17G62701 A	P25036		3	3	3
15-12	Solenoid Valve	17C77098 A	P25246	SVG: Nichiden Kougyou, SR10D	2	2	2
15-13	Coil for Solenoid Valve	17C76434 B	E03123	SVG: Nichiden Kougyou, SR10PA	2	2	2
15-14	Return Oil Pipe 1 Assy	17F04105 A	P28503	for Inverter Comp.	1	1	1
15-15	Strainer	17D55178 A	P16943		2	2	2

					Voltage		
					400V/50Hz,		
No.	Part Name	Replacement Part		Remarks	Qty Per Unit		
		Draw. No.	Order No.		7E331030	7E331031	7E331032
					RAS-14FSXN	RAS-16FSXN	RAS-18FSXN
15-16	Return Oil Pipe 2 Assy	17F04106 C	P28505	for Constant Comp.	1	1	
15-17	Return Oil Pipe 2 Assy	17F04106 A	P28504	for Constant Comp.			1
15-18	Check Joint	17C75461 C	E03124		1	1	1
16	S-Pipe Assy 1	17H07556 A	E03147		1	1	1
17	S-Pipe Assy 2	17H07557 A	E03148				1
18	S-Pipe 2	17H06570 A	E03149		1	1	
19	Expansion Valve Assy	17H07555 A	E03150		1	1	1
19-1	Strainer	17G62700 A	P25041		1	1	1
19-2	Expansion Valve	17C88560 A	P27611	MV1: Saginomiya, VKV-40D51	1	1	1
19-3	Coil for Expansion Valve	17C88561 A	P27612	MV1: Saginomiya, EKV-MOZS225B0	1	1	1
20	Condenser Assy	XEK12103 A	E03128		1	1	
21	Condenser Assy	XEK12104 A	E03129				1
22	Pressure Sensor (High)	17B35964 A	P26013	PD: Saginomiya, NSK-BD050F-102	1	1	1
23	Pressure Sensor (Low )	17B35965 A	P26014	PS: Saginomiya, NSK-BD020F-102	1	1	1
24	Sound Proof Cover	17F12189 A	P29778		1	1	
25	Sound Proof Cover	17F09423 A	P29345		1	1	2
26	Sound Proof Cover	17F00139 B	E03130		2	2	2
27	Thermistor	17C59664 E	P23507	THM17, 11, 10: for Piping (Tchg, Tg, Te)	3	3	3
28	Thermistor	17B24597 A	P22521	THM8,9: for Compressor (Td1, Td2)	2	2	2
29	Thermistor	17C59664 A	P22523	THM23: for Piping (TBg)	1	1	1
30	Accessory Pipe	XEK37178 D	E03153		1		
31	Accessory Pipe	XEK37178 E	E03154			1	
32	Accessory Pipe	XEK37178 F	E03155				1
33	Screw	17D30320 D	E03134	SUS, M6	4	4	4
34	Screw	17E19003 B	E03135	for Coil	3	3	3
35	Screw	17H12637 A	P25678	SUS, M5	17	17	17



				Voltage							
				400V/50Hz,							
No.	Part Name	Replacement Part		Remarks	Q'ty Per Unit						
		Draw. No.	Order No.		7E331010	7E331011	7E331012	7E331030	7E331031	7E331032	
					RAS-8FSXN	RAS-10FSXN	RAS-12FSXN	RAS-14FSXN	RAS-16FSXN	RAS-18FSXN	
1	Electrical Box Plate	XEK12061 A	E03156	Steel plate only	1	1	1	1	1	1	
2	Terminal Board	XEK34375 A	E02519	TB1: 600V, 50A	1	1	1				
2	Terminal Board	17P00843 C	E03158	TB1: 600V, 80A				1	1	1	
3	Noise Filter	17B41798 A	P28595	NF1: 4LFB-22930-2F	1	1	1	1	1	1	
4	Noise Filter	17B42008 A	P28596	NF2: LFB-14930-3MA	1	1	1	1	1	1	
5	Holder	17G07802 A	P20985		6	6	6	6	6	6	
6	Fuse Holder	17C68732 A	P24729	EF1, 2 (for Inv. Comp.)	2	2	2	2	2	2	
7	Fuse Holder	17C68766 A	P24114	EF11 (for Fan)	1	1	1	1	1	1	
8	Fuse	XEK32372 B	P24776	EF1, 2: 40A, Cartridge Fuse (for Inv. Comp.)	2	2	2	2	2	2	
9	Fuse	17F01759 G	P28602	EF11: 20A, Cartridge Fuse (for Fan)	1	1	1	1	1	1	
10	Fan Controller	17B41624 B	E03159	FANM: PV092	1	1	1	1	1	1	
11	Magnet Switch	17B28277 B	P24721	CMC1: Fuji Electric, FC-0/SP	1	1	1	1	1	1	
12	Resistor	17B33595 A	P26062	RS1, 2: 20SHT500JA187	2	2	2	2	2	2	
13	Resistor	17B41920 A	P28599	R1: 40SH, 6.3kΩ	1	1	1	1	1	1	
14	Resistor	17B41920 B	P28600	R2: 40SH, 10.5kΩ	1	1	1	1	1	1	
15	Reactor	17F05484 A	P28601	DCL2: 3.0mH, 10A (for Fan)	1	1	1	1	1	1	
16	Reactor	17B43206 A	P27217	DCL1: 1.0mH, 30A (for INV.)	1	1	1	1	1	1	
17	Diode Module	17C87617 A	P27214	DM: DF50AA160	1	1	1	1	1	1	
18	Transistor Module	17B37211 A	P27215	IPM: 6MBP50RA120-55	1	1	1	1	1	1	
19	PCB for Inverter	17B41615 B	P29549	PCB2: PV093	1	1	1	1	1	1	
20	Collar	17G15233 B	P20986		2	2	2	2	2	2	
21	Collar	17G15233 C	P26099		1	1	1	1	1	1	
22	Bush	17G15232 A	P20987		3	3	3	3	3	3	
23	Spacer	XEK34316 B	E01617		1	1	1	1	1	1	
24	Spacer	XEK34316 C	E01616		1	1	1	1	1	1	
25	Radiation Fin 1	17F03877 A	E03161		1	1	1	1	1	1	
26	Radiation Fin 2	17F03878 A	E03162		1	1	1	1	1	1	
27	Thermistor	17H07888 A	P28498	THM: for Inverter Fin	1	1	1	1	1	1	
28	Capacitor	17B37350 B	P28597	CB1, 2: 450V, 4700µF (for INV.)	2	2	2	2	2	2	
29	Capacitor	17B41966 B	E03163	CB3: 450V, 2700µF (for Fan)	1	1	1	1	1	1	
30	Saddle	XEK31179 C	E02059		6	6	6	6	6	6	
31	Printed Circuit Board	17B43062 C	P29033	PCB1: PO113-S	1	1	1	1	1	1	
32	Spacer	XEK30992 C	E03165		15	15	15	15	15	15	
33	Spacer	XEK34316 A	P21189		2	2	2	2	2	2	
34	PCB Plate	XEK24264 A	E03166		1	1	1	1	1	1	
35	Capacitor	17G75514 C	P27998	CS1, CS2	1	1	1	1	1	1	
36	Noise Suppressor	17G85788 B	E03167	ZNR	1	1	1	1	1	1	
37	Screw	17H09678 A	E03168		5	5	5	5	5	5	
38	Electrical Box	XEK01223 A	E03690	COMPONENTS+HARNESS+PLATES	1						
39	Electrical Box	XEK01223 B	E03691	COMPONENTS+HARNESS+PLATES		1					
40	Electrical Box	XEK01223 C	E03692	COMPONENTS+HARNESS+PLATES			1				
41	Electrical Box	XEK01236 A	E03687	COMPONENTS+HARNESS+PLATES				1			
42	Electrical Box	XEK01236 B	E03688	COMPONENTS+HARNESS+PLATES					1		
43	Electrical Box	XEK01236 C	E03689	COMPONENTS+HARNESS+PLATES						1	
44	Sub Electrical Box	XEK24214 A	E03693	COMPONENTS+HARNESS+PLATES				1	1	1	



A	Truss Head Tapping Screw		F	Stud Bolt	
B	Round Head Screw		G	Nut	
C	Flat Head Screw		H	Washer	
D	Pan Head Tapping Screw		J	Spring Lock Washer	
E	Hexagon Head Bolt		K	Toothed Lock Washer	

**NOTE:**

The uncoated coating is applied to iron and steel material for the unspecified materials of the bolt and screw.