

PRODUCT CODE	MODEL NAME
7E306021	RAS-5HVRNS2E, 1~ 230V 50Hz
7E306022	RAS-6HVRNS2E, 1~ 230V 50Hz
7E306107	RAS-4HRNS2E, 3~ 400V 50Hz
7E306108	RAS-5HRNS2E, 3~ 400V 50Hz
7E306109	RAS-6HRNS2E, 3~ 400V 50Hz

No.	DESCRIPTION	DWG No.	PART No.	Qty	Qty	Qty	Qty	Qty	Qty	REMARKS
1	Rear Cover S Assy	XEK22976 B	E02826	1	1	1	1	1	1	Assembly
1-1	H-Cover	17B27407 A	E01898	1	1	1	1	1	1	
1-2	Handle	17C71740 A	E01897	3	3	3	3	3	3	
1-3	Piping Cover	17C86251 A	P27003	1	1	1	1	1	1	Rear Piping Cover
2	Upper Cover Assy	XEK22860 A	E01794	1	1	1	1	1	1	Assembly
3	Service Cover Assy	XEK11954 D	E02827	1						Assembly
3	Service Cover Assy	XEK11954 E	E02828		1					Assembly
3	Service Cover Assy	XEK11954 F	E02829			1				Assembly
3	Service Cover Assy	XEK11954 A	E02830				1			Assembly
3	Service Cover Assy	XEK11954 B	E02831					1		Assembly
3	Service Cover Assy	XEK11954 C	E02832						1	Assembly
4	S Cover B	17B36514 A	P27002	1	1	1	1	1	1	Lower Service Cover
5	Protection Net	XEK24693 A	E01785	1	1	1	1	1	1	
6	Shroud S Assy	XEK22983 A	E02393	1	1	1	1	1	1	
6-1	Air Grille	17A17019 A	E02876	1	1	1	1	1	1	Air Grille
6-2	Shroud S	XEK00948 A	E01795	1	1	1	1	1	1	
7	Clamp Assy	17B36657 C	E02262	1	1	1	1	1	1	
8	Fan Motor	17B36324 E	E01831	1	1	1	1	1	1	DC 138W 8P
9	Propeller Fan	17A17362 B	P27001	1	1	1	1	1	1	Ø544
10	B- Base Assy	XEK22864 A	E02096	1	1	1	1	1	1	
11	Compressor	17F02433 A	09931100	1	1	1				E400HHD-36A2
11	Compressor	17F04163 A	09931104				1	1	1	E400HHD-36D2
12	Oil Heater	17F02279 B	E02372	2	2	2	2	2	2	32W
13	Accoustical Cover	17F05305 A	E02374	1	1	1	1	1	1	
14	Vibration Absorber	17D49474 A	P17308	4	4	4	4	4	4	
15	Vibration Absorber	17D21207 A	P13109	2	2	2	2	2	2	
16	Nut	17D49475 A	E02000	2	2	2	2	2	2	
17	Rubber Cap	17B29767 A	E01900	1	1	1	1	1	1	
18	Condenser	XEK11843 A	E02394	1			1			Assembly (Heat exchanger+18-1+18-2)

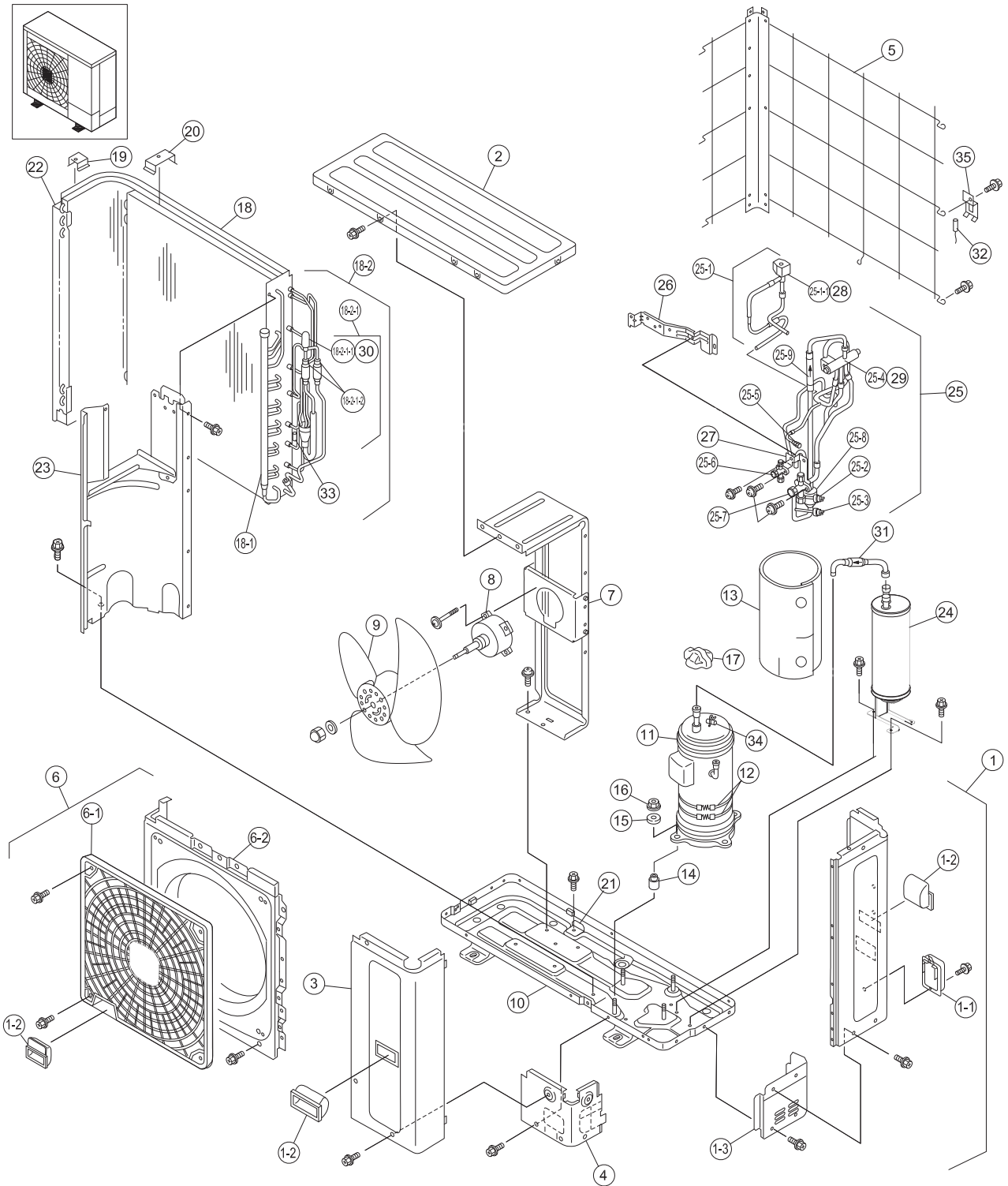
PRODUCT CODE	MODEL NAME
7E306020	RAS-4HVRNS2E, 1~ 230V 50HZ
7E306021	RAS-5HVRNS2E, 1~ 230V 50HZ
7E306022	RAS-6HVRNS2E, 1~ 230V 50HZ
7E306107	RAS-4HRNS2E, 3~ 400V 50HZ
7E306108	RAS-5HRNS2E, 3~ 400V 50HZ
7E306109	RAS-6HRNS2E, 3~ 400V 50HZ

No.	DESCRIPTION	DWG No.	PART No.	Qty	Qty	Qty	Qty	Qty	Qty	REMARKS
18	Condenser	XEK11855 A	E02395		1	1		1	1	Assembly (Heat exchanger+18-1+18-2)
18-1	Header L Assy	17C86857 A	E02396	1			1			Assembly
18-1	Header L Assy	17C87010 A	E02397		1	1		1	1	Assembly
18-2	Header G Assy	17F02236 A	E02398	1			1			Assembly
18-2	Header G Assy	17F02237 A	E02399		1	1		1	1	Assembly
18-2-1	EVO Assy	17G83011 A	E02400	1	1	1	1	1	1	Assembly
18-2-1-1	Expansion Valve	17C73727 A	P24691	1	1	1	1	1	1	EVO
18-2-1-2	Strainer	17G62701 B	P25037	2	2	2	2	2	2	
19	Attaching Plate	17G57303 A	E02105	1	1	1	1	1	1	Not included in 18
20	Stay	17G84282 A	E02106		1	1		1	1	Not included in 18
21	Condenser Support	17G85303 A	E02113		1	1		1	1	
22	End Plate Assy	17C87812 A	E02401	1	1	1	1	1	1	
23	Partition S Plate	XEK22987 A	E02402	1	1	1	1	1	1	
24	Accumulator	XEK23885 A	E02446	1	1	1	1	1	1	Assembly
25	4-Way Valve Assy	XEK11999 A	E02404	1	1	1	1	1	1	Assembly
25-1	SVA Assy	17H03389 A	P28162	1	1	1	1	1	1	Assembly
25-1-1	Solenoid Valve	17C77098 A	P25246	1	1	1	1	1	1	SVA
25-2	Pressure Switch	XEK22551 A	P25043	1	1	1	1	1	1	PSH (High)
25-3	Pressure Switch	XEK23681 A	E02386	1	1	1	1	1	1	PSC (Control)
25-4	Reversing Valve	17C73724 A	P24658	1	1	1	1	1	1	RVR
25-5	Check JA	17C75461 B	P25044	1	1	1	1	1	1	
25-6	Stop Valve	XEK22563 C	E02388	1	1	1	1	1	1	For Liquid Line (3/8)
25-7	Stop Valve	XEK22559 A	E01512	1	1	1	1	1	1	For Gas Line (5/8)
25-8	Silencer	17H05805 A	E02387	1	1	1	1	1	1	
25-9	Check Valve	17C84659 A	P10777	1	1	1	1	1	1	
26	Valve Stay	17G40832 A	E02112	1	1	1	1	1	1	
27	Valve Stay	17G82214 A	E02111	1	1	1	1	1	1	
28	Coil	17C64850 B	P25454	1	1	1	1	1	1	For SVA
29	Coil	17C74970 A	P26678	1	1	1	1	1	1	For RVR

MODEL NAME	PRODUCT CODE
RAS-4HVRNS2E, 1~ 230V 50HZ	7E306020
RAS-5HVRNS2E, 1~ 230V 50HZ	7E306021
RAS-6HVRNS2E, 1~ 230V 50HZ	7E306022
RAS-4HRNS2E, 3~ 400V 50HZ	7E306107
RAS-5HRNS2E, 3~ 400V 50HZ	7E306108
RAS-6HRNS2E, 3~ 400V 50HZ	7E306109

No.	DESCRIPTION	DWG No.	PART No.	Qty	Qty	Qty	Qty	Qty	Qty	REMARKS
30	Coil	17C73728 A	P24655	1	1	1	1	1	1	For MV
31	Strainer	17G55722 A	P24398	1	1	1	1	1	1	
32	Thermistor	17C59663 E	E00692	1	1	1	1	1	1	TA
33	Thermistor	17C59664 D	P23504	1	1	1	1	1	1	TE
34	Thermistor	17B24597 K	P23508	1	1	1	1	1	1	TD
35	TH Plate	XEK21470 A	E01901	1	1	1	1	1	1	

CABINET AND CYCLE



PRODUCT CODE	MODEL NAME
7E305120	RAS-4HRNM2E, 3~ 400V 50Hz
7E305121	RAS-5HRNM2E, 3~ 400V 50Hz
7E305122	RAS-6HRNM2E, 3~ 400V 50Hz
7E306107	RAS-4HRNS2E, 3~ 400V 50Hz
7E306108	RAS-5HRNS2E, 3~ 400V 50Hz
7E306109	RAS-6HRNS2E, 3~ 400V 50Hz

No.	DESCRIPTION	DWG No.	PART No.	Qty	Qty	Qty	Qty	Qty	Qty	REMARKS
1	Electrical Box	XEK01095 A	E02853	1						Assembly (2+3+harness)
1	Electrical Box	XEK01095 D	E02854				1			Assembly (2+3+harness)
1	Electrical Box	XEK01095 E	E02855					1		Assembly (2+3+harness)
1	Electrical Box	XEK01095 F	E02856						1	Assembly (2+3+harness)
1	Electrical Box	XEK01095 G	E02857		1					Assembly (2+3+harness)
1	Electrical Box	XEK01095 H	E02858			1				Assembly (2+3+harness)
2	P-Plate Assy	XEK11854 A	E02859	1						Assembly (2-1~2-15)
2	P-Plate Assy	XEK11854 D	E02860		1					Assembly (2-1~2-15)
2	P-Plate Assy	XEK11854 E	E02861			1				Assembly (2-1~2-15)
2	P-Plate Assy	XEK11854 F	E02862				1			Assembly (2-1~2-15)
2	P-Plate Assy	XEK11854 G	E02863					1		Assembly (2-1~2-15)
2	P-Plate Assy	XEK11854 H	E02864						1	Assembly (2-1~2-15)
2-1	P-Plate Unit	XEK36292 A	E02431	1	1	1	1	1	1	
2-2	Transformer	17B34423 A	P26291	1	1	1	1	1	1	TF
2-3	Printed Circuit Board	17B41307 D	E02432	1	1	1	1	1	1	PO081 Assy
2-4	Noise Filter	17B36433 A	E01430	1	1	1	1	1	1	NF1
2-5	Fuse Holder	17C66740 A	E01015	2	2	2	2	2	2	
2-6	Fuse	XEK32373 D	E00810	2	2	2	2	2	2	20A
2-7	Spacer	XEK30992 B	P19112	4	4	4	4	4	4	For PCB1
2-11	Push Spacer	XEK31888 A	E00738	3	3	3	3	3	3	For PCB1
2-12	Spacer	XEK34315 A	E01789	6	6	6	6	6	6	For Noise Filter
2-13	Reactor	XEK36243 A	E03021	1	1	1	1	1	1	DCL
2-14	Mag. Contactor	17B28277 B	P24721	1	1	1	1	1	1	CMC1
2-15	Terminal Board	XEK20967 A	E00705	1	1	1	1	1	1	TB
3	Power Unit Assy	XEK23692 A	E02435	1	1	1	1	1	1	Assembly (3-1~3-11)
3-1	Power Stay Assy	XEK36266 A	E02437	1	1	1	1	1	1	
3-2	Inv. Fin Assy	17F04353 A	E02439	1	1	1	1	1	1	DIP-IPM (13A)
4	Upper Support	XEK36287 A	E02427		1	1		1	1	

ELECTRICAL PARTS

