

PRODUCT CODE	MODEL NAME
7E305027	RAS-4HVNCE, 1~ 230V 50Hz
7E305028	RAS-5HVNCE, 1~ 230V 50Hz
7E305029	RAS-6HVNCE, 1~ 230V 50Hz
7E305127	RAS-4HNCE, 3~ 400V 50Hz
7E305128	RAS-5HNCE, 3~ 400V 50Hz
7E305129	RAS-6HNCE, 3~ 400V 50Hz
7E305033	RAS-4HVRNS3E, 1~ 230V 50Hz
7E305133	RAS-4HRNS3E, 3~ 400V 50Hz

No.	DESCRIPTION	DWG No.	PART No.	Qty	Qty	Qty	Qty	Qty	Qty	Qty	Qty	REMARKS
1	Rear Cover Assy	XEK22976 B	E02826	1	1	1	1	1	1	1	1	Assembly
1-1	Handle	17C71740 A	E01897	3	3	3	3	3	3	3	3	
1-2	H Cover	17B27407 A	E01898	1	1	1	1	1	1	1	1	
1-3	Pipe Cover B	17C86251 A	P27003	1	1	1	1	1	1	1	1	
2	Upper Cover Assy	XEK22860 A	E01794	1	1	1	1	1	1	1	1	Assembly
3	Service Cover S Assy	XEK12170 A	E03377	1								Assembly
3	Service Cover S Assy	XEK12170 B	E03378		1							Assembly
3	Service Cover S Assy	XEK12170 C	E03379			1						Assembly
3	Service Cover S Assy	XEK12170 D	E03380				1					Assembly
3	Service Cover S Assy	XEK12170 E	E03381					1				Assembly
3	Service Cover S Assy	XEK12170 F	E03382						1			Assembly
3	Service Cover S Assy	XEK12170 H	E03694							1		Assembly
3	Service Cover S Assy	XEK12170 J	E03695								1	Assembly
4	S Cover B	17B36514 A	P27002	1	1	1	1	1	1	1	1	Lower Service Cover
5	Protector Net S Assy	XEK24693 A	E01785	1	1	1	1	1	1	1	1	
6	Shroud S Assy	XEK22983 A	E02393	1	1	1	1	1	1	1	1	Assembly
6-1	Shroud S	XEK00948 A	E01795	1	1	1	1	1	1	1	1	Shroud
6-2	Front Protector Net	17A17019 A	E02876	1	1	1	1	1	1	1	1	Air Outlet
7	Clamp S Assy	XEK24429 B	E03383	1	1	1	1	1	1	1	1	
8	Fan Motor	17B40793 C	E03384	1	1	1	1	1	1	1	1	MOF, DC190W, 8P
9	Propeller Fan	17A17362 B	P27001	1	1	1	1	1	1	1	1	Ø544
10	B-Base Assy	XEK24453 A	E03385	1			1			1	1	Assembly
10	B-Base Assy	XEK22864 A	E02096		1	1		1	1			Assembly
11	Compressor	17B41744 C	E03386	1						1		Comp 2YC63FXD
11	Compressor	17F07383 A	E03387		1	1						Comp E401HHD-36A2
11	Compressor	17B43971 C	E03388				1				1	Comp 2YC63RXD
11	Compressor	17F09555 A	E03389					1	1			Comp E401HHD-36D2
12	C Heater	17C75113 L	P26677	2			2			2	2	240V-30W

PRODUCT CODE	MODEL NAME
7E305028	RAS-5HVNCE, 1~ 230V 50Hz
7E305029	RAS-6HVNCE, 1~ 230V 50Hz
7E305127	RAS-4HNCE, 3~ 400V 50Hz
7E305128	RAS-5HNCE, 3~ 400V 50Hz
7E305129	RAS-6HNCE, 3~ 400V 50Hz
7E305033	RAS-4HVRNS3E, 1~ 230V 50Hz
7E305133	RAS-4HRNS3E, 3~ 400V 50Hz

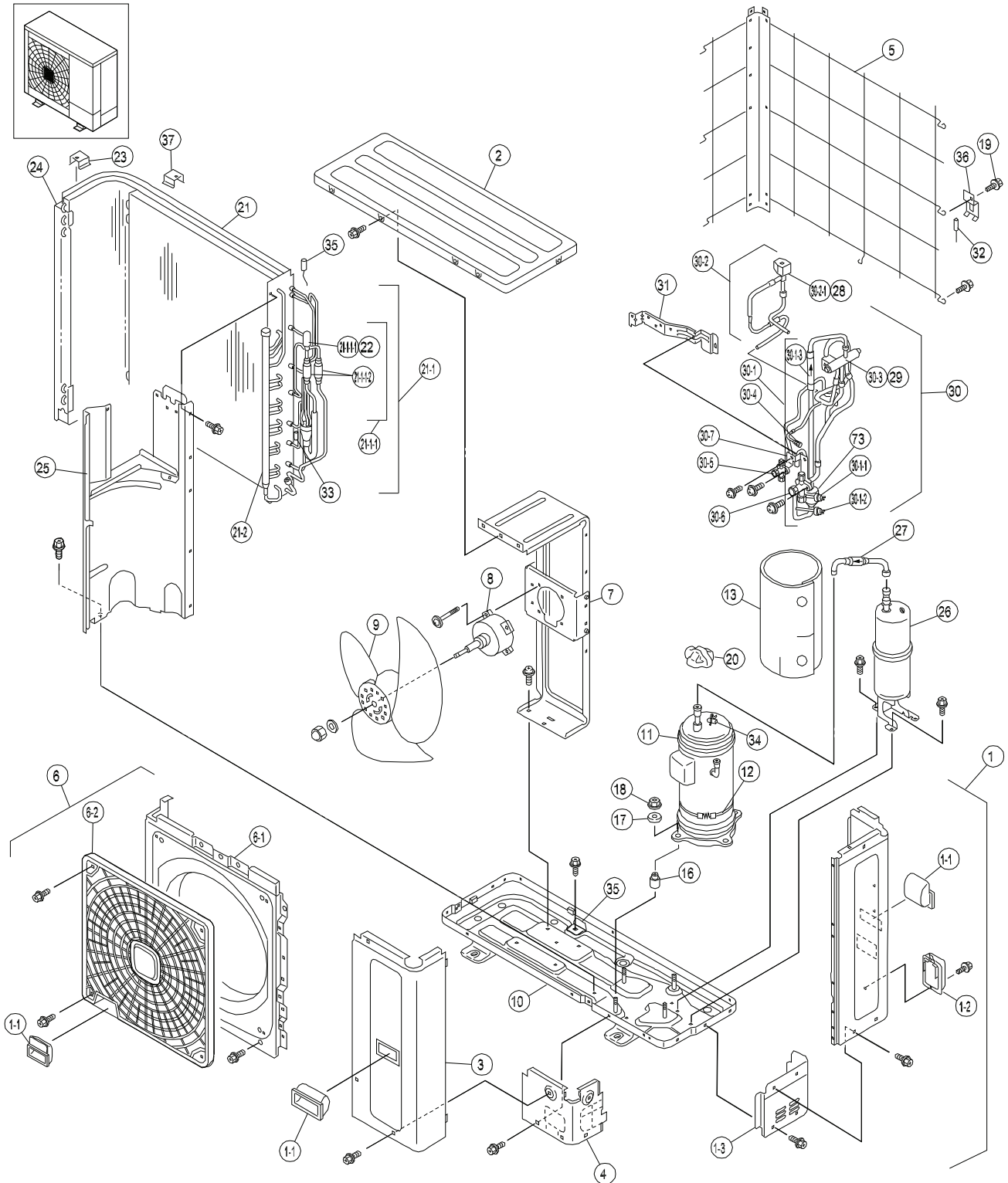
No.	DESCRIPTION	DWG No.	PART No.	Qty	Qty	Qty	Qty	Qty	Qty	Qty	Qty	REMARKS
12	C Heater	17F05573 B	P29160		1	1		1	1			240V-52W
13	Acoustical Cover	17F05925 A	E03390	1			1			1	1	
13	Acoustical Cover	17F05305 A	E02374		1	1		1	1			
14	Acoustical Cover	17F06094 A	E03434	1			1			1	1	Upper Cover
15	Acoustical Cover	17F05831 A	P28612	1			1			1	1	Lower Cover
16	Vibration Absorber	17D49474 A	P17308		4	4		4	4			
17	Vibration Absorber	17D21207 A	P13109		3	3		3	3			
18	Special Nut	17D49475 A	E02000		2	2		2	2			
18	Special Nut	17G64891 A	E02802	1			1			1	1	
19	THM Support D	17G85310 A	E01819	1			1			1	1	
20	Rubber Cap	17B29767 A	P24397		1	1		1	1			
21	Condenser	XEK12132 A	E03392	1			1			1	1	Assembly (Heat exchanger + 21-1+21-2)
21	Condenser	XEK12133 A	E03393		1	1		1	1			Assembly (Heat exchanger + 21-1+21-2)
21-1	Header L Unit	XEK24463 A	E03396	1			1			1	1	Assembly
21-1	Header L Unit	17F05751 A	E03397		1	1		1	1			Assembly
21-1-1	EVO Assy	XEK37472 A	E03422	1			1			1	1	Assembly
21-1-1	EVO Assy	17H09154 A	E03423		1	1		1	1			Assembly
21-1-1-1	Expansion Valve	17F05654 A	P28614	1	1	1	1	1	1	1	1	EVO
21-1-1-2	Strainer	17G62701 B	P25037	2	2	2	2	2	2	2	2	
21-2	Header G Unit	17F06093 A	E03394	1			1			1	1	Assembly
21-2	Header G Unit	17F06852 A	E03395		1	1		1	1			Assembly
22	EXPV Coil	17C78180 D	P28615	1	1	1	1	1	1	1	1	Coil for Expansion Valve
23	Stay	17G57303 A	E02105	1	1	1	1	1	1	1	1	
24	End P Unit	17C87812 A	E02401	1	1	1	1	1	1	1	1	
25	Partition S Assy	XEK22987 A	E02402	1	1	1	1	1	1	1	1	
26	Accumulator Assy	XEK23885 D	E03398	1			1			1	1	Assembly
26	Accumulator Assy	XEK23885 E	E03399		1	1		1	1			Assembly
27	Strainer	17G62701 B	P25037	1	1	1	1	1	1	1	1	

MODEL NAME	PRODUCT CODE	
	RAS-4HVNCE, 1~ 230V 50Hz	7E305027
RAS-5HVNCE, 1~ 230V 50Hz	7E305029	7E305127
RAS-6HVNCE, 1~ 230V 50Hz	7E305128	7E305129
RAS-4HNCE, 3~ 400V 50Hz	7E305033	7E305133
RAS-5HNCE, 3~ 400V 50Hz		
RAS-6HNCE, 3~ 400V 50Hz		
RAS-4HRNS3E, 1~ 230V 50Hz		
RAS-4HRNS3E, 3~ 400V 50Hz		

No.	DESCRIPTION	DWG No.	PART No.	Qty	Qty	Qty	Qty	Qty	Qty	Qty	Qty	REMARKS
28	Coil 20	17C64850 B	P25454	1	1	1	1	1	1	1	1	Coil for Solenoid Valve
29	Coil	17C74970 A	P26678	1	1	1	1	1	1	1	1	Coil for 4 Way Valve
30	4-Way Valve Assy	XEK12136 A	E03400	1			1			1	1	Assembly
30	4-Way Valve Assy	XEK12137 A	E03401		1	1		1	1			Assembly
30-1	D Pipe Unit	XEK37452 A	E03426	1			1			1	1	
30-1	D Pipe Unit	XEK37453 A	E03427		1	1		1	1			
30-1-1	Pressure SW	XEK22551 A	P26839	1	1	1	1	1	1	1	1	PSH (High)
30-1-2	Pressure SW	XEK22552 A	P25042	1	1	1	1	1	1	1	1	PSC (Control)
30-1-3	Check Valve	17C84659 A	P10777		1	1		1	1			
30-1-4	Silencer	17H05922 A	P28629	1			1			1	1	
30-2	SVA Assy	17H07289 A	E03402	1			1			1	1	Assembly
30-2	SVA Assy	17H03389 A	P28162		1	1		1	1			Assembly
30-2-1	Solenoid valve	17C77098 A	P25246	1	1	1	1	1	1	1	1	SVA
30-3	4 Way Valve	17C73724 A	P24658	1	1	1	1	1	1	1	1	RVR
30-4	Check JA	17C75461 B	E02840	1	1	1	1	1	1	1	1	
30-5	Stop Valve	17F06326 A	P28918	1	1	1	1	1	1	1	1	For liquid line 3/8
30-6	Stop Valve	17F06328 B	P28919	1	1	1	1	1	1	1	1	For gas line 5/8
30-7	Valve Stay	17G82214 A	E02111	1	1	1	1	1	1	1	1	
31	V-Stay	17H03600 A	E03403	1	1	1	1	1	1	1	1	
32	Thermistor	17C59663 E	E00692	1	1	1	1	1	1	1	1	For Outdoor Temp., THM7
33	Thermistor	17C59664 D	P23504	1	1	1	1	1	1	1	1	For Pipe Temp., THM8
34	Thermistor	17B24597 K	P23508	1			1			1	1	For Discharge Gas Temp., THM9
34	Thermistor	17B24597 J	P23506		1	1		1	1			For Discharge Gas Temp., THM9
35	Thermistor	17F05184 A	E03404	1	1	1	1	1	1	1	1	For Condenser Temp., THM10
36	TH-Plate	XEK21470 A	E01901	1	1	1	1	1	1	1	1	
37	Stay	17G84282 A	E02106		1	1		1	1			

LOCATION OF SPARE PART IN THE UNIT  
CABINET AND CYCLE

RAS-(5/6)H(V)NCE



MODEL NAME	PRODUCT CODE
RAS-4HNCE, 3~ 400V 50Hz	7E305127
RAS-5HNCE, 3~ 400V 50Hz	7E305128
RAS-6HNCE, 3~ 400V 50Hz	7E305129
RAS-4HRNS3E, 3~ 400V 50Hz	7E305133

No.	DESCRIPTION	DWG No.	PART No.	Qty	Qty	Qty	Qty	REMARKS
1	Electrical Box	XEK01265 A	E03431	1				Assembly (2+3+Harness)
1	Electrical Box	XEK01265 B	E03432		1			Assembly (2+3+Harness)
1	Electrical Box	XEK01265 C	E03433			1		Assembly (2+3+Harness)
1	Electrical Box	XEK01265 D	E03697				1	Assembly (2+3+Harness)
2	P Plate Unit	XEK12141 A	E03410	1	1	1		Assembly (2-1~2-11)
2	P Plate Unit	XEK12141 B	E03699				1	Assembly (2-1~2-11)
2-1	P Plate Assy	XEK37455 A	E03407	1	1	1	1	
2-2	Printed Circuit Board	17B43667 E	E03411	1	1	1		PCB1, PO101E Assy
2-2	Printed Circuit Board	17B43667 G	E03701				1	PCB1, PO101G Assy
2-3	Spacer	XEK30992 B	P19112	6	6	6	6	For PCB1
2-4	Push Spacer	XEK31888 A	E00738	2	2	2	2	For PCB1
2-5	Terminal Board	XEK20967 A	E00705	1	1	1	1	TB
2-6	Noise Filter	17B41798 A	P28595	1	1	1	1	NF
2-7	Spacer	XEK34315 A	E01789	6	6	6	6	For Noise Filter
2-8	Fuse Holder	17C66740 A	E01015	2	2	2	2	
2-9	Fuse	XEK32373 D	E00810	2	2	2	2	20A
2-10	Reactor Unit	XEK36243 B	E03412	1	1	1	1	
2-11	MG SW	17B28277 B	P24721	1	1	1	1	CMC1
3	Power Unit Assy	XEK24441 A	E03375	1	1	1	1	Assembly (3-1~3-2)
3-1	Power Stay Assy	XEK36266 A	E02437	1	1	1	1	Assembly
3-2	Inv. Fin Assy	17F04353 B	E03376	1	1	1	1	
4	Upper Support	17G84652 A	E02426	1	1	1	1	

