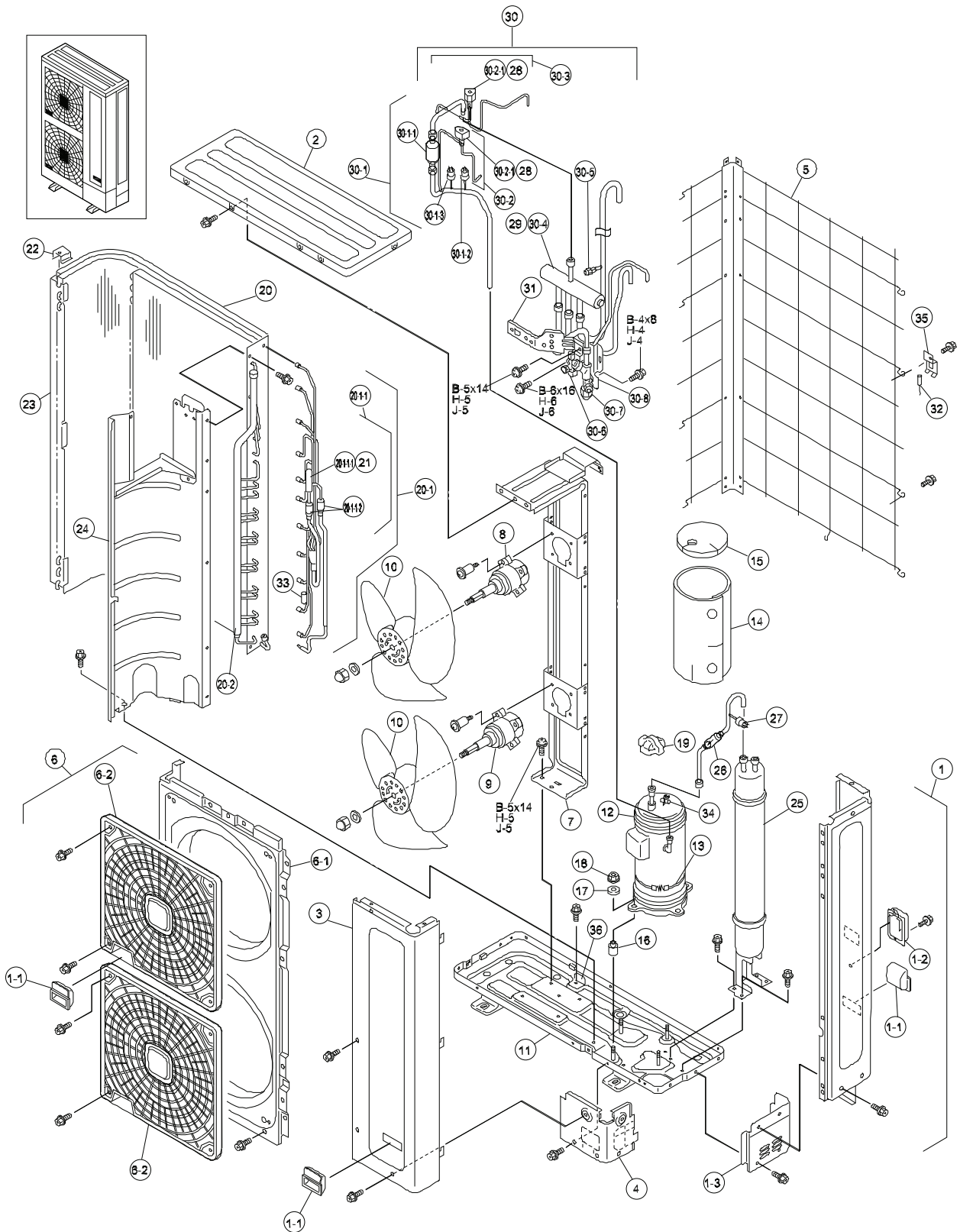


MODEL NAME	RAS-8HNPE, 3~ 400V 50Hz	PRODUCT CODE	7E310110
	RAS-10HNPE, 3~ 400V 50Hz		7E310111

No.	DESCRIPTION	DWG No.	PART No.	Qty	Qty	REMARKS
1	Rear Cover L Assy	XEK22859 B	E02365	1	1	Assembly
1-1	Handle	17C71740 A	E01897	3	3	
1-2	H Cover	17B27407 A	E01898	1	1	
1-3	Pipe Cover B	17C86251 A	P27003	1	1	
2	Upper Cover Assy	XEK22860 A	E01794	1	1	Assembly
3	Service Cover L Assy	XEK12200 A	E03464	1		Assembly
3	Service Cover L Assy	XEK12200 C	E03465		1	Assembly
4	S Cover B	17B36514 A	P27002	1	1	Lower Service Cover
5	Protector Net L Assy	XEK24692 A	E01796	1	1	
6	Shroud L Unit	XEK22858 A	E02094	1	1	Assembly
6-1	Shroud L	XEK00936 A	E01810	1	1	Shroud
6-2	Front Protector Net	17A17019 A	E02876	2	2	Air Outlet
7	Clamp L Assy	XEK11780 B	E03447	1	1	
8	Fan Motor	17B41282 H	P28636	1	1	DC138W, 8P
9	Fan Motor	17B41282 K	P28638	1	1	DC138W, 8P
10	Propeller Fan	17A17362 B	P27001	2	2	Ø544
11	B-Base Assy	XEK22864 A	E02096	1	1	Assembly
12	Compressor	17F10195 A	E03450	1		Comp DA50PHD-D1SE2
12	Compressor	17F10196 A	E03451		1	Comp DA65PHD-D1SE2
13	C Heater	17B34124 E	E03452	1	1	240V-40.8W
14	Acoustical Cover	17F05929 A	P28661	1	1	
15	Acoustical Cover	17H13156 A	E03454	1	1	Upper Cap
16	Vibration Absorber	17D21147 B	P28639	4	4	
17	Vibration Absorber	17D21207 A	P13109	3	3	
18	Special Nut	17D49475 A	E02000	2	2	
19	Rubber Cap	17B29767 A	P24397	1	1	
20	Condenser	XEK01285 A	E03466	1	1	Assembly (Heat exchanger + 21-1 + 21-2)
20-1	Header L Unit	XEK24539 A	E03467	1	1	Assembly
20-1-1	EVO Assy	XEK24537 A	E03468	1	1	Assembly
20-1-1-1	Expansion Valve	17C78181 A	P26008	1	1	
20-1-1-2	Strainer	17G56584 B	P26471	2	2	

MODEL NAME	RAS-8HNPE, 3~ 400V 50Hz
	RAS-10HNPE, 3~ 400V 50Hz
PRODUCT CODE	7E310110
	7E310111

No.	DESCRIPTION	DWG No.	PART No.	Qty	Qty	REMARKS
20-2	Header G Unit	17F05096 A	E03458	1	1	Assembly
21	EXPV Coil	17C78180 A	P26009	1	1	Coil for Expansion Valve
22	Stay	17G57303 A	E02105	1	1	
23	End P Unit	17C87812 B	E02107	1	1	
24	Partition Assy	XEK22987 B	E03459	1	1	
25	Accumulator Assy	XEK24545 A	E03460	1	1	Assembly
26	Strainer	17G55723 A	P24399	1	1	
27	Pressure SW	XEK24355 A	E03342	1	1	
28	Coil 20	17C64850 B	P25454	2	2	Coil for Solenoid Valve
29	Coil	17F07262 A	P28921	1	1	Coil for 4 Way Valve
30	4-Way Valve Assy	XEK12194 A	E03469	1		Assembly
30	4-Way Valve Assy	XEK12194 B	E03470		1	Assembly
30-1	D Pipe Unit	XEK24547 A	E03471	1	1	
30-1-1	Check Valve	17F04056 A	P28640	1	1	
30-1-2	Pressure SW	XEK22551 A	P25043	1	1	PSH (High)
30-1-3	P-Sensor	17B42440 A	P28917	1	1	PSC (Control)
30-2	SVC Assy	17H13080 A	E03453	1	1	
30-2-1	Solenoid Valve	17C77098 A	P25246	2	2	SVA
30-3	SVA Assy	17H08514 A	E03448	1	1	
30-4	4 Way Valve	17C73725 A	P26337	1	1	RVR
30-5	Check JA	17C75461 A	E01160	1	1	
30-6	Stop Valve	17F06326 A	P28918	1		For liquid line 3/8
30-6	Stop Valve	17F06327 A	E03449		1	For liquid line 1/2
30-7	B Valve	17F06816 A	P28926	1	1	For gas line 3/4
30-8	Valve Stay	17F07248 A	E03362	1	1	
31	V-Stay	17G40832 B	E03345	1	1	
32	Thermistor	17C59663 E	E00692	1	1	for Outdoor Temp., THM7
33	Thermistor	17C59664 E	P23507	1	1	for Pipe Temp., THM8
34	Thermistor	17B24597 K	P23508	1	1	for Condenser Temp., THM9
35	TH-Plate	XEK21470 A	E01901	1	1	
36	Condenser Support	17G85303 A	E02113	1	1	



MODEL NAME	RAS-8HNPE, 3~ 400V 50Hz	RAS-10HNPE, 3~ 400V 50Hz	RAS-8HNCE, 3~ 400V 50Hz	RAS-10HNCE, 3~ 400V 50Hz
	7E310110	7E310111	7E311110	7E311111
	PRODUCT CODE			

No.	DESCRIPTION	DWG No.	PART No.	Qty	Qty	Qty	Qty	REMARKS
1	Electrical Box	XEK01288 A	E03435	1				Assembly (2+3+4+Harness)
1	Electrical Box	XEK01288 B	E03436			1		Assembly (2+3+4+Harness)
1	Electrical Box	XEK01288 C	E03437		1			Assembly (2+3+4+Harness)
1	Electrical Box	XEK01288 D	E03438				1	Assembly (2+3+4+Harness)
2	P Plate Assy	XEK12197 A	E03439	1	1	1	1	Assembly
2-1	Printed Circuit Board	17B43667 B	E03373	1	1	1	1	PCB1, PO101B Assy
2-2	Spacer	XEK34315 A	E01789	18	18	18	18	For PCB1, PCB3, Noise Filter,
2-3	Push Spacer	XEK34316 A	P21189	2	2	2	2	For PCB1
2-4	Printed Circuit Board	17B44179 A	E03440	1	1	1	1	PCB3, PO121A Assy
2-5	Terminal Board	XEK20967 A	E00705	1	1	1	1	TB
2-6	Noise Filter	17B41798 A	P28595	1	1	1	1	NF
2-7	Fuse Holder	17C68732 A	P24729	2	2	2	2	
2-8	Fuse	XEK32372 B	P24776	2	2	2	2	40A
3	Power Unit	XEK12198 A	E03441	1	1	1	1	Order together with E03779 (Part n°7) (Before Serial N°4KE09082)
3-1	Inverter Fin	17C85114 A	E02042	1	1	1	1	
3-2	Diode M	17B40192 A	P27214	1	1	1	1	DM
3-3	Transistor M	17B37211 A	P27215	1	1	1	1	
3-4	Printed Circuit Board	17B41615 B	E03160	1	1	1	1	PCB2, PV093 Assy
3-5	Collar	17G15233 B	P20986	4	4	4	4	Plastic Material
3-6	Bush	17G15232 A	P26098	4	4	4	4	Plastic Material
3-7	Push Spacer	XEK34316 B	E01617	1	1	1	1	For PCB2
3-8	Thermistor	17B33964 B	P26474	1	1	1	1	Fin thermistor
4	CB Stay Assy	XEK12199 A	E03442	1	1	1	1	Assembly
4-1	Reactor Unit	XEK36054 B	E03443	1	1	1	1	DCL
4-2	MG SW	17B28277 B	P24721	1	1	1	1	CMC
4-3	Resister	17B33595 A	P26062	2	2	2	2	RS1, RS2
4-4	Resistor	17B41920 A	P28599	1	1	1	1	R1

MODEL NAME	RAS-8HNPE, 3~ 400V 50Hz	7E310110
	RAS-10HNPE, 3~ 400V 50Hz	7E310111
	RAS-8HNCE, 3~ 400V 50Hz	7E311110
	RAS-10HNCE, 3~ 400V 50Hz	7E311111

No.	DESCRIPTION	DWG No.	PART No.	Qty	Qty	Qty	Qty	REMARKS
4-5	Resistor	17B41920 B	P28600	1	1	1	1	R2
4-6	Capacitor	17B37350 B	P28597	2	2	2	2	CB1, CB2 (450V, 4700µF)
5	Noise Suppressor	17G85788 A	E02121	1	1	1	1	ZNR Assy
6	Capacitor Assy	17H15163 A	E03704	1	1	1	1	HRN PC301
7	Stay Unit	XEK37863 A	E03779	1	1	1	1	

