

MODEL: RCIM-2.0FSN2 + P-N23WAM
(P0108x-03)

NO.	PART NAME	REPLACEMENT PART		Q'TY PER UNIT	SUMMARY	UNIT VOLTAGE CATEGORY										CATEGORY CODE	VOLTAGE (V)	FREQUENCY(HZ)	PHASES
		DRAW. NO.	ORDER NO.			V													
U04	FUSE	17C69652A	P24744	2	5A FOR POWER SOURCE	V													
U15A	THERMISTOR	17B24598A	P24017	1	THM1 AIR INLET	V													
U15B	THERMISTOR	17B24598T	P24357	1	THM2 AIR OUTLET	V													
U15C	THERMISTOR	17C74419G	P23589	1	THM3 FREEZE PROTECTION	V													
U15D	THERMISTOR	17C74419K	P26319	1	THM5 GAS	V													
U21	EXP. VALVE	17C87881B	P24981	1		V													
U31	AIR FILTER	17A16410A	P26861	1	FOR AIR PANEL P-N23WAM	V													
U34	AIR GRILLE	17B35327A	P26858	1	FOR AIR PANEL P-N23WAM	V													
U35A	KNOB	17B35298A	P26859	2	FOR AIR PANEL P-N23WAM	V													
U35B	KNOB	17C83308A	P26860	1	FOR AIR PANEL P-N23WAM	V													
U36	FAN RUNNER	17B36477A	P26848	1	φ298	V													
U41B	HEAT EXCHANGER	17B36560B	P26863	1	ASSEMBLY	V													
U65	PLASTIC MATERIAL	17G37440B	P23408	10	FOR PCB	V													
U71A	MOTOR	17B36661A	P26846	1	FAN MOTOR 52W	V													
U71B	MOTOR	17B36662A	P26845*	1	FOR DISCHARGE MECHANISM	V													
U71C	MOTOR	17C83370A	P26856	4	FOR P-N23WAM SWING MOTOR ASS'Y	V													
U82	TRANSFORMER	17B29839A	P24745	1		V													
U85A	PRINTED CIRCUIT BOARD	17G88155D	P27280	1	MAIN PCB	V													
U85B	PRINTED CIRCUIT BOARD	17G54138B	P24415	1	FOR POWER SUPPLY	V													
U87	FLOAT SW	17B36663A	P26852	1		V													

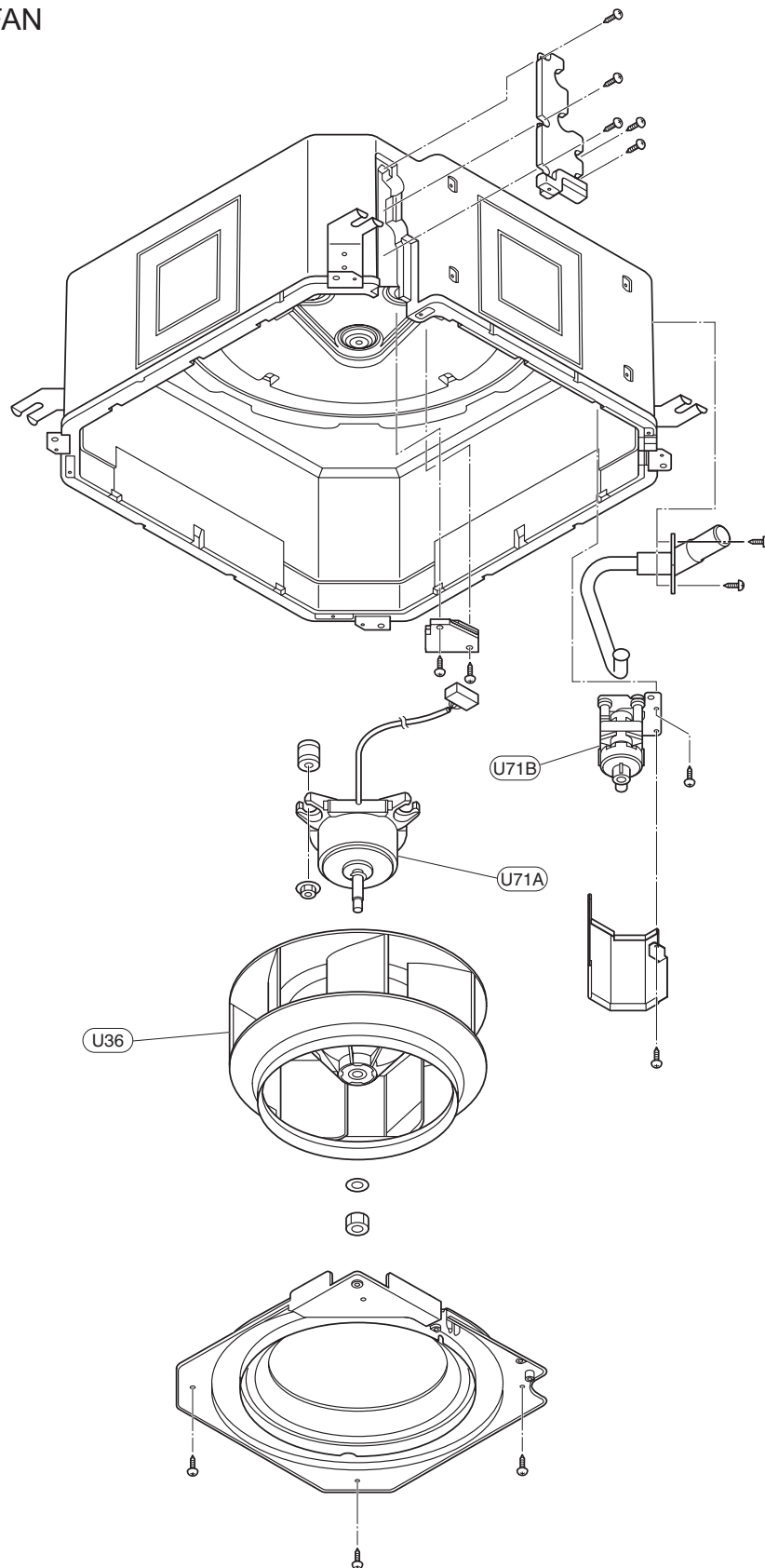
Applicable Mfg. No.: from the first production

Notes:

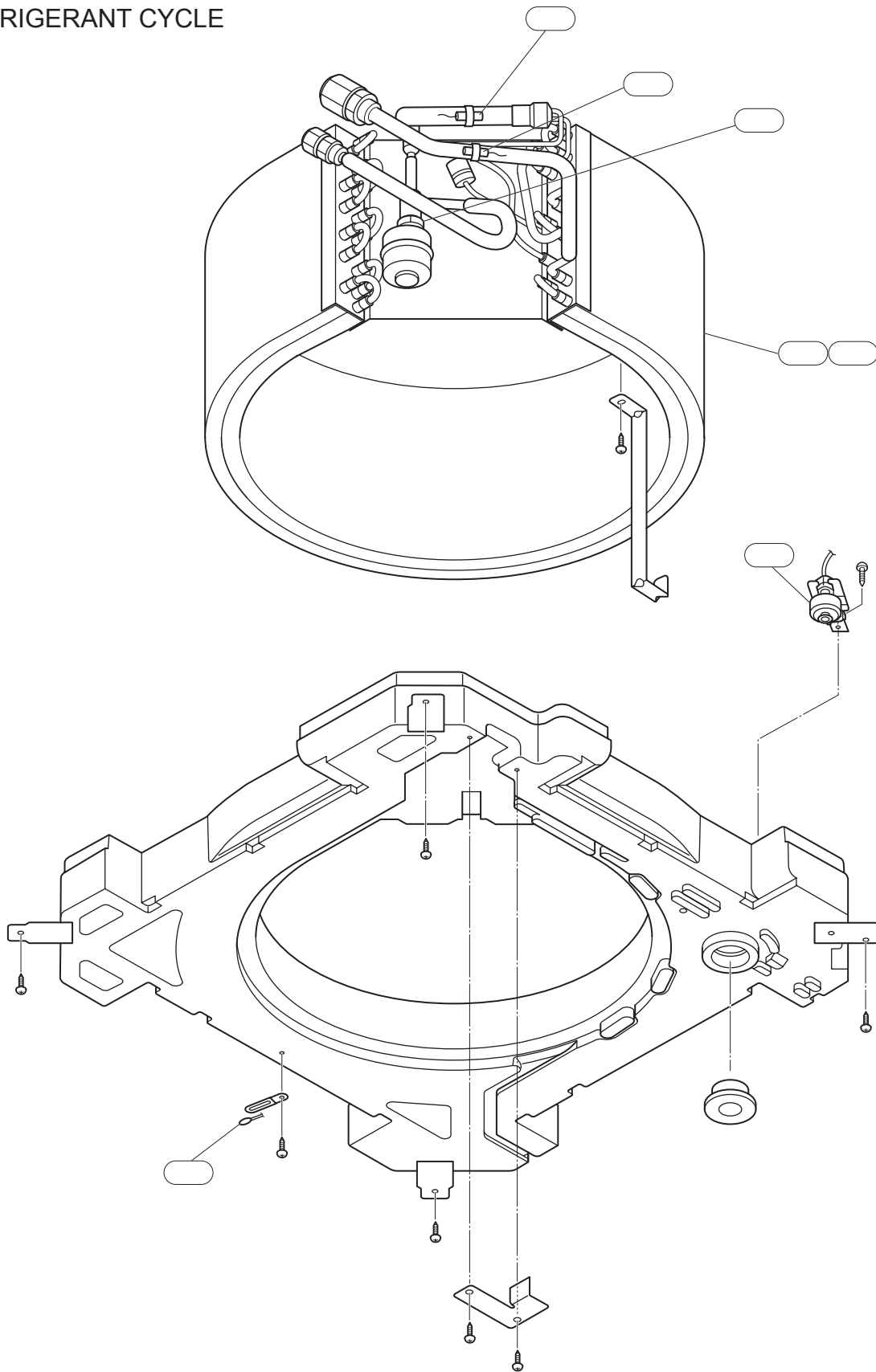
1. Refer to page D-RCIM-2.0FSN2-V for the location of the listed parts.
2. The replacement part drawing number marked "*" is different from that of the unit part. Change the setting for this unit, if required.

L-RCIM-2.0FSN2-V

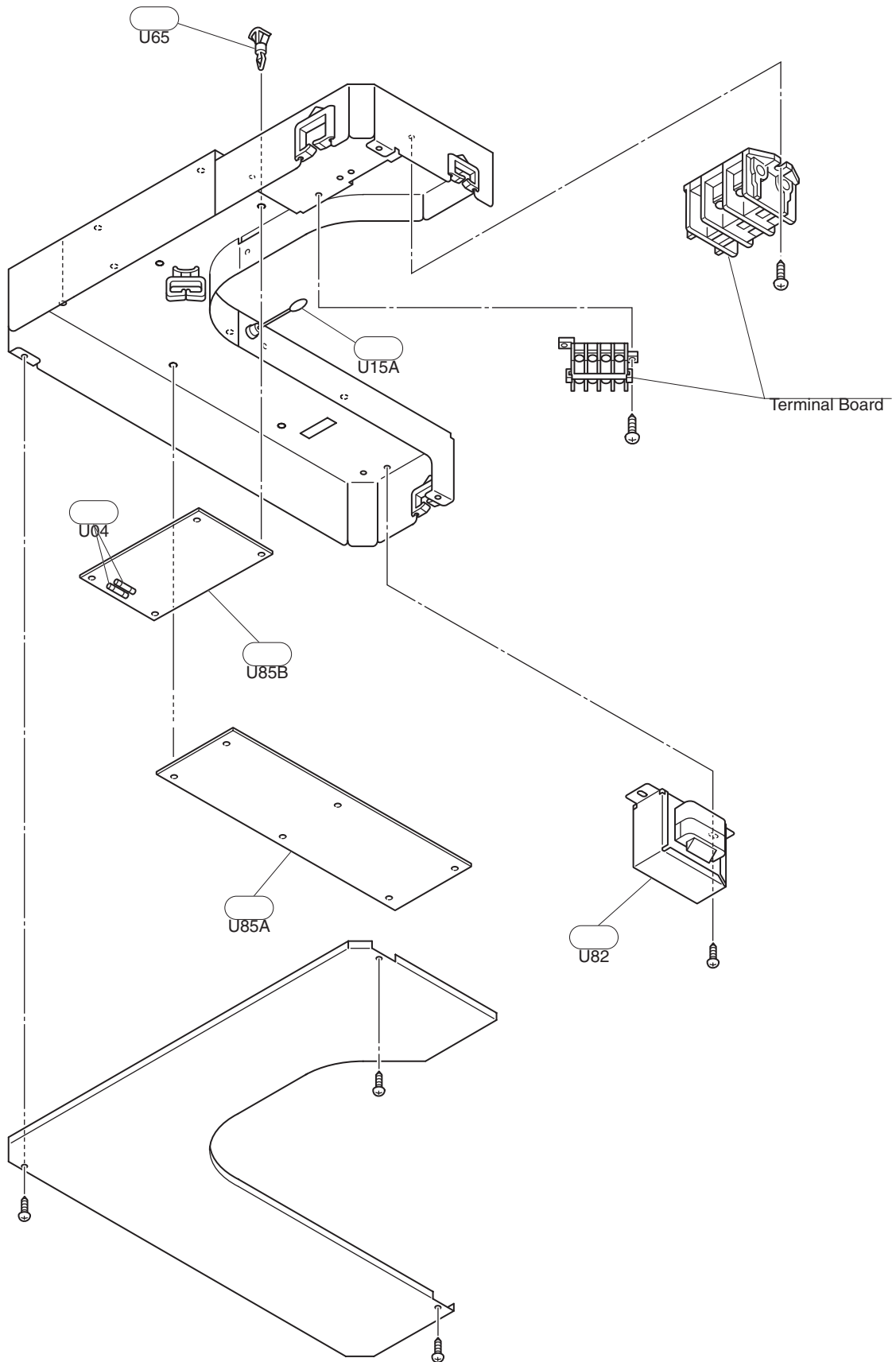
CABINET AND FAN



REFRIGERANT CYCLE



ELECTRICAL EQUIPMENT



PANEL

