

(P0128x-01)

No.	Part Name	Replacement Part		Remarks	Voltage								
		Draw. No.	Order No.		1~230V/50Hz								
					Q'ty Per Unit								
					RCI-1.0FSN3	RCI-1.5FSN3	RCI-2.0FSN3	RCI-2.5FSN3	RCI-3.0FSN3	RCI-4.0FSN3	RCI-5.0FSN3	RCI-6.0FSN3	
1	Drain Hose Assy	17H12539A	P28874		1	1	1	1	1	1	1	1	
2	Pump Assy	17H17342A	P29235	Drain Discharge Mechanism	1	1	1	1	1	1	1	1	
3	Float Switch Assy	17H12815A	P28876		1	1	1	1	1	1	1	1	
4	Heat Exchanger Assy	17B42711A	P28888	No.11 Expansion Valve x 1, No.50 Flare Nut x 1	1								
5	Heat Exchanger Assy	17B42712A	P28889				1						
6	Heat Exchanger Assy	17B42712B	P29232	No.11 Expansion Valve x 1, No.51 Flare Nut x 1			1						
7	Heat Exchanger Assy	17B42713C	P28892	No.12 Expansion Valve x 1, No.51 Flare Nut x 1				1					
8	Heat Exchanger Assy	17B42714A	P28893						1				
9	Heat Exchanger Assy	17B42714B	P28894	No.13 Expansion Valve x 1, No.51 Flare Nut x 1						1			
10	Heat Exchanger Assy	17B42714C	P28895									1	1
11	Expansion Valve	17F04391A	P28701		1	1	1						
12	Expansion Valve	17F04392A	P28702					1	1	1			
13	Expansion Valve	17F04393A	P28703								1	1	
14	EXPV Motor	17F04390A	P29142	for Expansion Valve	1	1	1	1	1	1	1	1	
15	Support Plate	17H10482A	P28896		1	1	1						
16	Support Plate	17H10482B	P28897					1					
17	Support Plate	17H07420C	P28706						1	1	1	1	
18	Pipe Cover Assy	17H12463A			1	1	1	1	1	1	1	1	
19	Fan Motor	17B42561A	P28884	No.22 Vibration Absorber x 3	1	1	1	1					
20	Fan Motor	17B42561B	P28885	No.22 Vibration Absorber x 3					1				
21	Fan Motor	17B42562A	P28886	No.24 Vibration Absorber x 3						1	1	1	
22	Vibration Absorber	17G54609A	P24315		3	3	3	3	3				
23	Vibration Absorber	17G84221A	P27141		3	3	3	3	3				
24	Vibration Absorber	17H12414A	P28887							3	3	3	
25	Nut	17H12116A	P28899		3	3	3	3	3	3	3	3	
26	Turbo Fan	17A21933A	P28709		1	1	1	1	1	1	1	1	
27	Nut	17H12117A	P28900		1	1	1	1	1	1	1	1	
28	Drain Pan Assy	17B42709A	P28877	No.31 Antibacterial Agent x 1, No.32 Rubber Cap x 1	1	1							
29	Drain Pan Assy	17B42709B	P28878					1	1				
30	Drain Pan Assy	17B42709C	P28879							1	1	1	1
31	Antibacterial Agent	17E26026A	P28880		1	1	1	1	1	1	1	1	
32	Rubber Cap	17G53386A	P28881		1	1	1	1	1	1	1	1	
33	Bell Mouth Assy	17H12533A	P28882		1	1	1	1					
34	Bell Mouth Assy	17H12534A	P28883						1	1	1	1	
35	E-Box Cover	17H02946A	P28257		1	1	1	1	1	1	1	1	
36	Thermistor	17B24598A	P24017	for Air Inlet, THM1	1	1	1	1	1	1	1	1	
37	Thermistor	17B24598G	P22436	for Air Outlet, THM2	1	1	1	1	1	1	1	1	
38	Thermistor	17B42636A	P28902	for Freeze Protection, THM3	1	1	1	1	1	1	1	1	
39	Thermistor	17B42635A	P28901	for Gas Pipe, THM5	1	1	1	1	1	1	1	1	
40	Hose	17C78348A	P25911		1	1	1	1	1	1	1	1	
41	Clip	17C93558A	P28308		1	1	1	1	1	1	1	1	
42	Electrical Box	17F07193A	P28898		1	1	1	1	1	1	1	1	
43	PCB-S	17H12709B	P29071	PCB1	1	1	1	1	1	1	1	1	
44	Fuse	17C90851A	P27957	EFR1	1	1	1	1	1	1	1	1	
45	Spacer	17H03507A	P28259	for PCB1	3	3	3	3	3	3	3	3	
46	Spacer	17H03506A	P28260	for PCB1	3	3	3	3	3	3	3	3	
47	Terminal Board	17B43600A	P29234	TB1	1	1	1	1	1	1	1	1	
48	Terminal Board	17B42182A	P28715	TB2	1	1	1	1	1	1	1	1	

NOTE:

The parts without order number are the custom-ordered, and these are not mentioned in the price list. When ordering them, the part name and the drawing number are required. Contact your HITACHI distributor for the delivery date and price about them.

ERSATZTEILE RCI-1-6FSN3

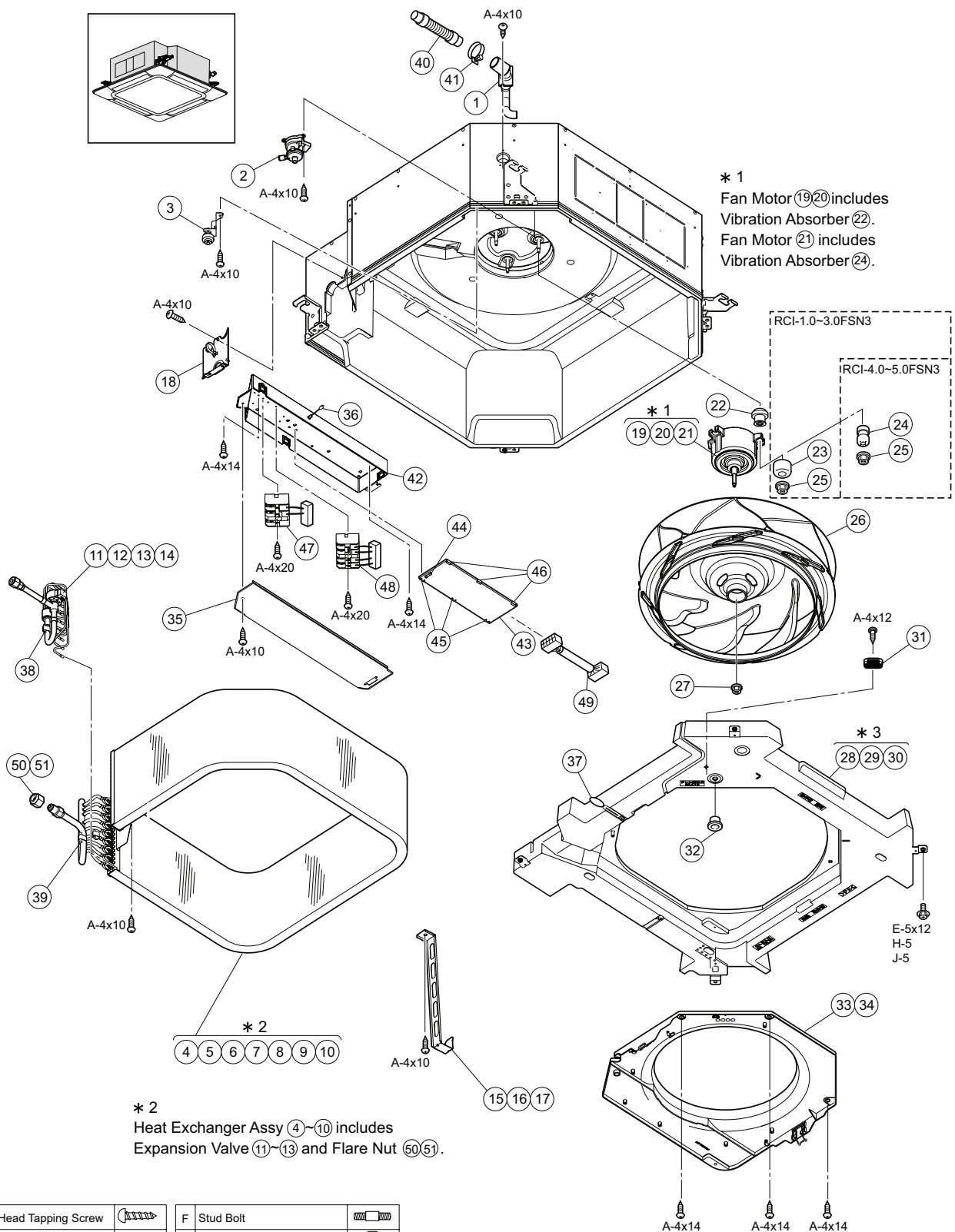


(P0128x-01)

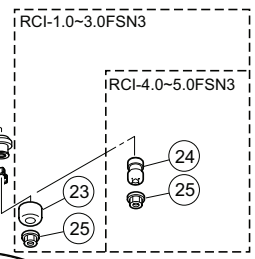
No.	Part Name	Replacement Part		Remarks	Voltage											
		Draw. No.	Order No.		1~230V/50Hz											
					Q'ty Per Unit											
					RCI-1.0FSN3	RCI-1.5FSN3	RCI-2.0FSN3	RCI-2.5FSN3	RCI-3.0FSN3	RCI-4.0FSN3	RCI-5.0FSN3	RCI-6.0FSN3				
49	Wiring AS	17F01928A		for Connecting Air Panel	1	1	1	1	1	1	1	1				
50	Flare Nut	17E20872C	R4226		1	1										
51	Flare Nut	17E20872D	R4227				1	1	1	1	1	1	1	1	1	

NOTE:

The parts without order number are the custom-ordered, and these are not mentioned in the price list.
 When ordering them, the part name and the drawing number are required.
 Contact your HITACHI distributor for the delivery date and price about them.



* 1
 Fan Motor (19)(20) includes
 Vibration Absorber (22).
 Fan Motor (21) includes
 Vibration Absorber (24).



* 2
 Heat Exchanger Assy (4)~(10) includes
 Expansion Valve (11)~(13) and Flare Nut (50)(51).

* 3
 Drain Pan Assy (28)~(30) includes
 Antibacterial Agent (31) and Rubber Cap (32).

A	Truss Head Tapping Screw		F	Stud Bolt	
B	Round Head Screw		G	Nut	
C	Flat Head Screw		H	Washer	
D	Pan Head Tapping Screw		J	Spring Lock Washer	
E	Hexagon Head Bolt		K	Toothed Lock Washer	

NOTE:
 The unicomated coating is applied to iron and steel material for the unspecified materials of the bolt and screw.

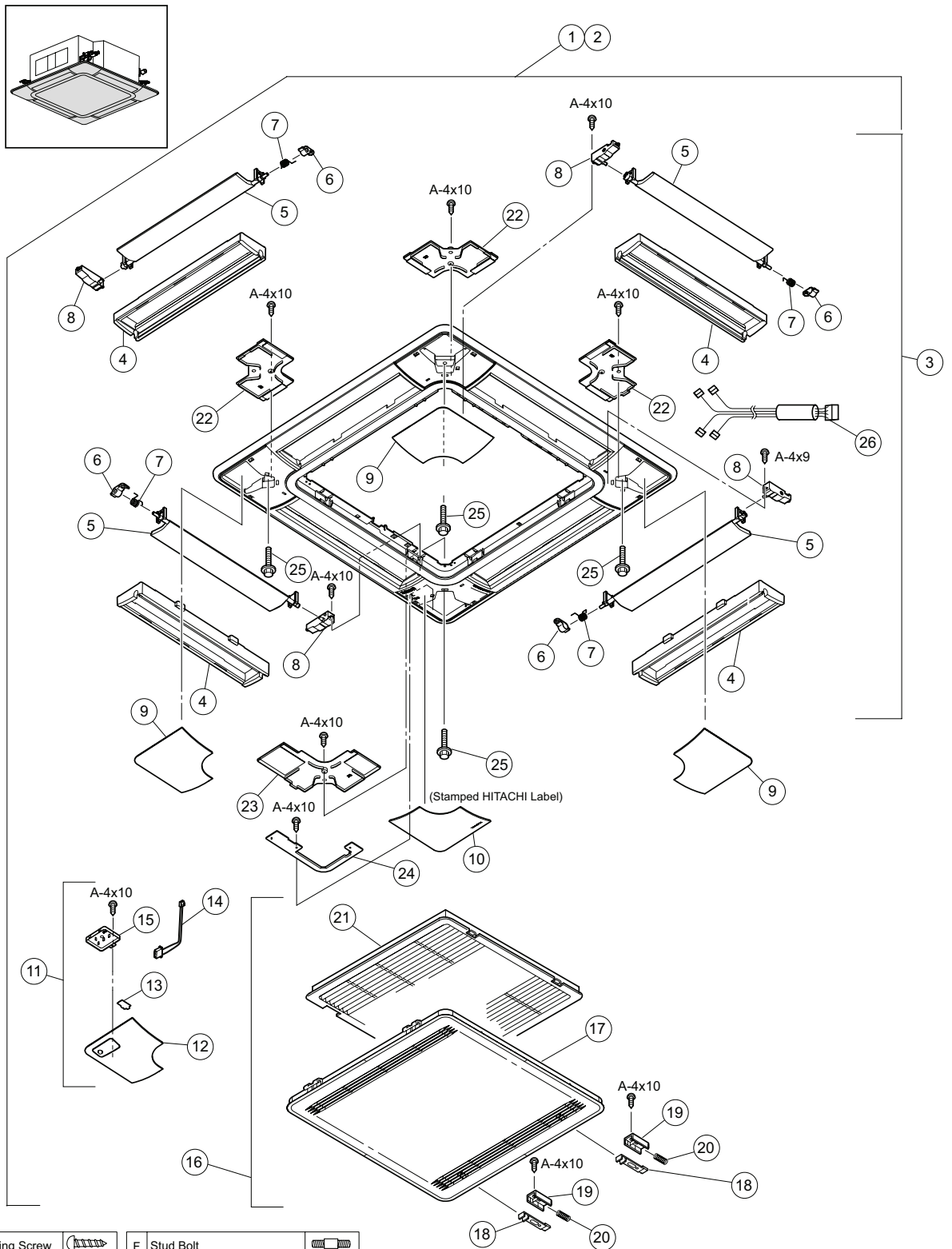
ERSATZTEILE RCI-1-6FSN3



(P0129x-02)

No.	Part Name	Replacement Part		Remarks	Q'ty Per Unit	
		Draw. No.	Order No.		P-AP160 NA1	P-AP160 NAE
1	Air Panel	17A22258G			1	
2	Air Panel	17A22278F				1
3	Panel Assy	17A22257A			1	1
4	Guide	17H12317A			4	4
5	Louver Assy	17F07365A	P28944		4	4
6	Bearing	17F02390A	P28265		4	4
7	Spring	17H03716A	P28266		4	4
8	Swing Motor Assy	17B40904A	P28267		4	4
9	CP-Cover	17H12391A	P28949		3	2
10	CP-Cover	17H12391F	P28954	HITACHI Label	1	1
11	Motion Sensor Assy	17F07458A		Motion Sensor		1
12	CP-Cover	17H12392A	P28982	for Motion Sensor		1
13	Motion Sensor	17B42670A	P28983	for Motion Sensor		1
14	Relay Wire	17H12537A		for Motion Sensor		1
15	Sensor Case	17F07284A		for Motion Sensor		1
16	Grille Assy	17B42664A	P28959		1	1
17	Air Inlet Grille	17A21034A	P28270		1	1
18	Knob	17F02391A	P28271		2	2
19	Knob Holder	17F02392A	P28272		2	2
20	Spring	17G53242A	P24454		2	2
21	Air Filter	17B28959A	P24524		1	1
22	C-Cover	17H12912A	P28977		3	3
23	C-Cover	17H12251A	P28978		1	1
24	Oil Guard	17B42582A	P28979		1	1
25	Long Screw	17G10414A	P21335	M6 x 50	4	4
26	Wiring AS	17B42641A			1	1

NOTE:
The parts without order number are the custom-ordered, and these are not mentioned in the price list. When ordering them, the part name and the drawing number are required. Contact your HITACHI distributor for the delivery date and price about them.



A	Truss Head Tapping Screw		F	Stud Bolt	
B	Round Head Screw		G	Nut	
C	Flat Head Screw		H	Washer	
D	Pan Head Tapping Screw		J	Spring Lock Washer	
E	Hexagon Head Bolt		K	Toothed Lock Washer	

NOTE:
The unicomated coating is applied to iron and steel material for the unspecified materials of the bolt and screw.