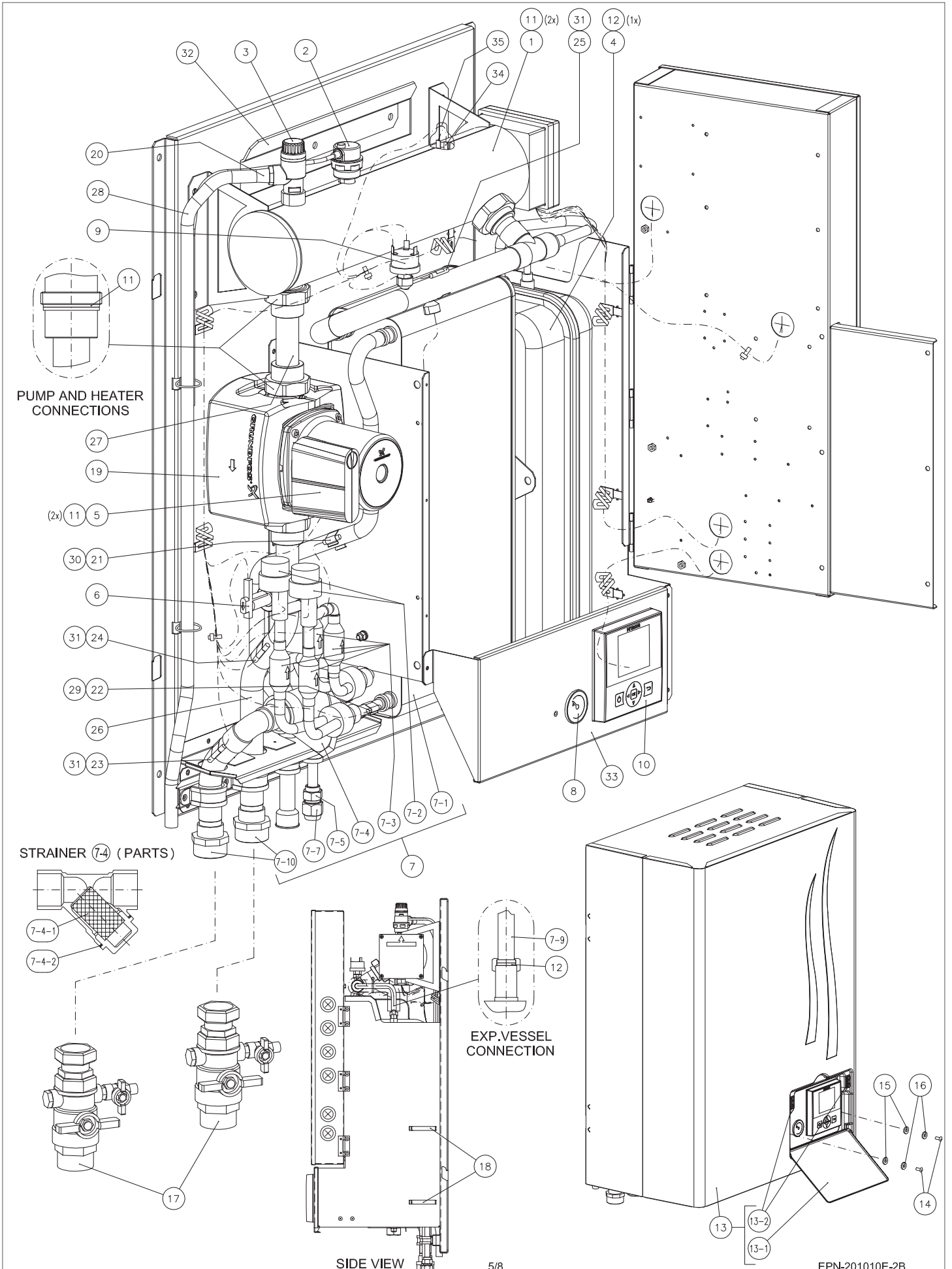


No.	DESCRIPTION	DWG No.	PART No.	MODEL NAME										REMARKS				
				QTY	QTY	QTY	QTY	QTY	QTY	QTY	QTY	QTY	QTY					
				RWM-2.0FSN3E, 1-230V 50Hz	7E474003													
				RWM-2.0HFSN3E, 1-230V 50Hz	7E474016													
				RWM-3.0FSN3E, 1-230V 50Hz	7E474005													
				RWM-3.0HFSN3E, 1-230V 50Hz	7E474018													
				RWM-4.0FSN3E, 1-3N-230/400V 50Hz	7E474107													
				RWM-4.0HFSN3E, 1-3N-230/400V 50Hz	7E474120													
				RWM-5.0FSN3E, 1-3N-230/400V 50Hz	7E474108													
				RWM-5.0HFSN3E, 1-3N-230/400V 50Hz	7E474121													
				RWM-6.0FSN3E, 1-3N-230/400V 50Hz	7E474109													
				RWM-6.0HFSN3E, 1-3N-230/400V 50Hz	7E474122													
				RWM-8.0FSN3E, 3N-400V 50Hz	7E474110													
				RWM-8.0HFSN3E, 3N-400V 50Hz	7E474123													
				RWM-10.0FSN3E, 3N-400V 50Hz	7E474111													
				RWM-10.0HFSN3E, 3N-400V 50Hz	7E474124													
1	Electric Heater Assy	XEK12020 A	E02473	1	1													Gaskets 11 not included
1	Electric Heater Assy	XEK12020 B	E02474			1	1	1										Gaskets 11 not included
1	Electric Heater Assy	XEK12021 A	E02768									1	1					Gaskets 11 not included
2	Air Purge	XEK35611 A	E01909	1	1	1	1	1	1	1	1	1	1					
3	Security Valve	XEK36102 A	E02475	1	1	1	1	1	1	1	1	1	1					
4	Expansion Vessel 6L	XEK23610 A	E02476	1	1	1	1	1	1									Gasket 12 not included
4	Expansion Vessel 10L	XEK23611 A	E02522									1	1					Gasket 12 not included
5	Pump	XEK23769 C	E02932	1														Gaskets 11 and Pump Insulation 19 not included
5	Pump	XEK23770 C	E02477		1													Gaskets 11 and Pump Insulation 19 not included
5	Pump	XEK23771 C	E02478			1	1	1										Gaskets 11 and Pump Ins. 19 not included (Equivalent to E03705)
5	Pump	XEK23825 C	E02769									1	1					Gaskets 11 and Pump Insulation 19 not included
6	Flow Switch	XEK36152 A	E02933	1														
6	Flow Switch	XEK36152 B	E02479		1	1	1	1	1									
6	Flow Switch	XEK36177 A	E02770									1	1					
7	PHEX Unit	XEK23870 A	E02934	1														Assembly (from 7-1 to 7-10)
7	PHEX Unit	XEK23870 C	E02480		1													Assembly (from 7-1 to 7-10)
7	PHEX Unit	XEK23870 D	E02481			1												Assembly (from 7-1 to 7-10)
7	PHEX Unit	XEK23870 E	E02482				1	1										Assembly (from 7-1 to 7-10)
7	PHEX Unit	XEK23871 A	E02771									1						Assembly (from 7-1 to 7-10)
7	PHEX Unit	XEK23871 B	E02772										1					Assembly (from 7-1 to 7-10)
7-1	Plate HEX	XEK23613 A	E02483	1	1													
7-1	Plate HEX	XEK23614 A	E02484			1												
7-1	Plate HEX	XEK23615 A	E02485				1	1	1									
7-1	Plate HEX	XEK23616 A	E02773										1					
7-1	Plate HEX	XEK23914 A	E02774											1				
7-2	Expansion Valve	17C87881 B	E00580	1														
7-2	Expansion Valve	17C87882 B	E00856		1	1								2				
7-2	Expansion Valve	17C87883 B	E01716					1	1									2
7-3	Strainer	17G62700 A	E01206	2	2	2	2	2	2	4	4							
7-4	Water Strainer	XEK36427 A	E02486	1	1	1	1	1	1	1	1	1	1					Body + Mesh + Gasket
7-4-1	Mesh	XEK36972 A	E02946	1	1	1	1	1	1	1	1	1	1					Ø35.8xL49 Before Serial Number 4JE05436
7-4-1	Mesh	XEK36972 B	E02948	1	1	1	1	1	1	1	1	1	1					Ø31.5xL46.5 After Serial Number 4JE05436 (4JE05436 included)
7-4-2	Gasket	XEK36973 A	E02947	1	1	1	1	1	1	1	1	1	1					Ø50xØ42x1 Before Serial Number 4JE05436
7-4-2	Gasket	XEK36974 A	E02949	1	1	1	1	1	1	1	1	1	1					Ø43xØ39xØ2 After Serial Number 4JE05436 (4JE05436 included)
7-5	Union	27JR0609	E02935	1														Liquid Connection
7-5	Union	27JR0913	E02487		1	1	1	1	1	1	1							Liquid Connection
7-5	Union	27JR1313	E02775											1				Liquid Connection
7-6	Union	27JR1717	E02488	1	1	1	1	1	1	1								Gas Connection
7-7	Flare Nut	25JR0600	E02936	1														Liquid Connection
7-7	Flare Nut	25JR0900	E02489		1	1	1	1	1	1	1							Liquid Connection
7-7	Flare Nut	25JR1300	E02776											1				Liquid Connection
7-8	Flare Nut	25JR1700	E02490	1	1	1	1	1	1									Gas Connection
7-9	Pipe 4	XEK37030 A	E03668	1	1	1	1	1	1									Vessel Connection
7-9	Pipe 4	XEK37031 A	E03669											1	1			Vessel Connection
7-10	Union	XEK36106 B	E02492	2	2	2	2	2	2	2	2							Water Connection
8	Manometer	XEK36141 A	E02493	1	1	1	1	1	1	1	1	1	1					
9	Pressure Switch	XEK37744 A	E02494	1	1	1	1	1	1	1	1	1	1					
10	LCD Control	XEK36928 A	E02495		1	1	1	1	1									Before Serial Number 4HE87914
10	LCD Control	XEK36928 B	E02777	1	1	1	1	1	1	1	1	1	1					From Serial Number 4HE89240 to 4JE94362
10	LCD Control	XEK36928 D	E03478	1	1	1	1	1	1	1	1	1	1					After Serial Number 4JE94363
11	Gasket	XEK35682 A	E02496	4	4	4	4	4	4	4	4	4	4					for Electric Heater and Pump connections
12	Gasket	XEK36144 A	E02497	1	1	1	1	1	1	1	1	1	1					for Expansion Vessel connection
13	Cover Assy.	XEK11821 A	E02498	1	1	1	1	1	1	1	1	1	1					Assembly (Screws and Washers not included)



No.	DESCRIPTION	DWG No.	PART No.	MODEL NAME										REMARKS									
				Qty	Qty	Qty	Qty	Qty	Qty	Qty	Qty	Qty	Qty										
				RWM-2.0FSN3E, 1~230V 50Hz	7E474003																		
				RWM-2.0HFSN3E, 1~230V 50Hz	7E474016																		
				RWM-3.0FSN3E, 1~230V 50Hz	7E474005																		
				RWM-3.0HFSN3E, 1~230V 50Hz	7E474018																		
				RWM-4.0FSN3E, 1~/3N~230/400V 50Hz	7E474107																		
				RWM-4.0HFSN3E, 1~/3N~230/400V 50Hz	7E474120																		
				RWM-5.0FSN3E, 1~/3N~230/400V 50Hz	7E474108																		
				RWM-5.0HFSN3E, 1~/3N~230/400V 50Hz	7E474121																		
				RWM-6.0FSN3E, 1~/3N~230/400V 50Hz	7E474109																		
				RWM-6.0HFSN3E, 1~/3N~230/400V 50Hz	7E474122																		
				RWM-8.0FSN3E, 3N~400V 50Hz	7E474110																		
				RWM-8.0HFSN3E, 3N~400V 50Hz	7E474123																		
				RWM-10.0FSN3E, 3N~400V 50Hz	7E474111																		
				RWM-10.0HFSN3E, 3N~400V 50Hz	7E474124																		
1	PCB1	XEK36406 A	E02515			1	1	1	1														Before Serial Number 4HE87914
1	PCB1	XEK36406 B	E02727	1	1	1	1	1	1	1	1	1	1	1	1	1	1	1	1	1	1	1	From Serial Number 4HE89240 to 4JE94362
1	PCB1	XEK36406 C	E03475	1	1	1	1	1	1	1	1	1	1	1	1	1	1	1	1	1	1	1	After Serial Number 4JE94363
2	PCB2	17G92435 G	E01891	1	1	1	1	1	1	1	1	1	1	1	1	1	1	1	1	1	1	1	
3	Transformer 1	XEK36618 A	E03218	1	1	1	1	1	1	1	1	1	1	1	1	1	1	1	1	1	1	1	
4	Magnetic Contactor	17B26115 D	E01873	1	1	1	1	1	1	1	1	1	1	1	1	1	1	1	1	1	1	1	16 A
5	Fuse	XEK37363 A	E00003	1	1	1	1	1	1	1	1	1	1	1	1	1	1	1	1	1	1	1	3.15 A
6	Fuse	XEK32373 A	EC00035	3	3																		6 A
6	Fuse	XEK32373 C	EC00071			3	3	3	3	3	3	3	3	3	3	3	3	3	3	3	3	3	12 A
6	Fuse	XEK32373 E	EC00454													3	3	3	3	3	3	3	16 A
7	Fuse Holder	17C68766 A	E02516	1	1	1	1	1	1	1	1	1	1	1	1	1	1	1	1	1	1	1	
8	Fuse Holder	17C66740 A	E01015	3	3	3	3	3	3	3	3	3	3	3	3	3	3	3	3	3	3	3	
9	Magnetic Contactor	XEK23686 A	E02517	3	3	3	3	3	3	3	3	3	3	3	3	3	3	3	3	3	3	3	12 A
10	Terminal Board	17P00835 K	E02518		1	1	1	1	1														Before Serial Number 4HE87914
10	Terminal Board	17P00835 N	E02792	1	1	1	1	1	1	1	1	1	1	1	1	1	1	1	1	1	1	1	After Serial Number 4HE89240
11	Terminal Board	XEK34375 A	E02519	1	1	1	1	1	1	1	1	1	1	1	1	1	1	1	1	1	1	1	
12	Terminal Board	17C69180 A	E01089		1	1	1	1	1														Before Serial Number 4HE87914 (After Serial Number 4HE89240 not necessary)
13	Spacer	XEK30992 B	P19112	10	10	10	10	10	10	14	14												
14	Spark Killer	17C15431 A	P14366		9	9	9	9	9														Before Serial Number 4HE87914
14	Spark Killer	17C15431 A	P14366	10	10	10	10	10	10	10	10	10	10	10	10	10	10	10	10	10	10	10	After Serial Number 4HE89240
15	Clamp	XEK31150 A	E02012	1	1	1	1	1	1	1	1	1	1	1	1	1	1	1	1	1	1	1	
16	Rubber Bush	XEK32468 A	E02060	10	10	10	10	10	10	10	10	10	10	10	10	10	10	10	10	10	10	10	
17	Electrical Box	XEK01156 A	E02793	1	1																		Assembly (Components + Harness)
17	Electrical Box	XEK01156 B	E02794			1	1	1	1														Assembly (Components + Harness)
17	Electrical Box	XEK01157 A	E02795							1	1												Assembly (Components + Harness)
18	E-Box Cover Assy	XEK36519 A	E02554		1	1	1	1	1														(Plate + Labels) Before Serial Number 4HE87914
18	E-Box Cover Assy	XEK36677 A	E02796	1	1	1	1	1	1														(Plate + Labels) After Serial Number 4HE89240
18	E-Box Cover Assy	XEK36677 B	E02797							1	1												(Plate + Labels)
19	E-Box SubAssy	XEK23620 A	E02555		1	1	1	1	1														Only plate (without components) Before Serial Number 4HE87914
19	E-Box SubAssy	XEK23921 A	E02798	1	1	1	1	1	1														Only plate (without components) After Serial Number 4HE89240
19	E-Box SubAssy	XEK23921 B	E02799							1	1												Only plate (without components)
20	PCB3	XEK36694 A	E02800							1	1												
21	Transformer 2	XEK36618 B	E03219	1	1	1	1	1	1	1	1	1	1	1	1	1	1	1	1	1	1	1	

