

PRODUCT CODE	7E350007
	7E350008
	7E350009
	7E350107
	7E350108
	7E350109
	MODEL NAME
RAS-4WHVNPE, 1~ 230V 50HZ	
RAS-5WHVNPE, 1~ 230V 50HZ	
RAS-6WHVNPE, 1~ 230V 50HZ	
RAS-4WHNPE, 3~ 400V 50HZ	
RAS-5WHNPE, 3~ 400V 50HZ	
RAS-6WHNPE, 3~ 400V 50HZ	

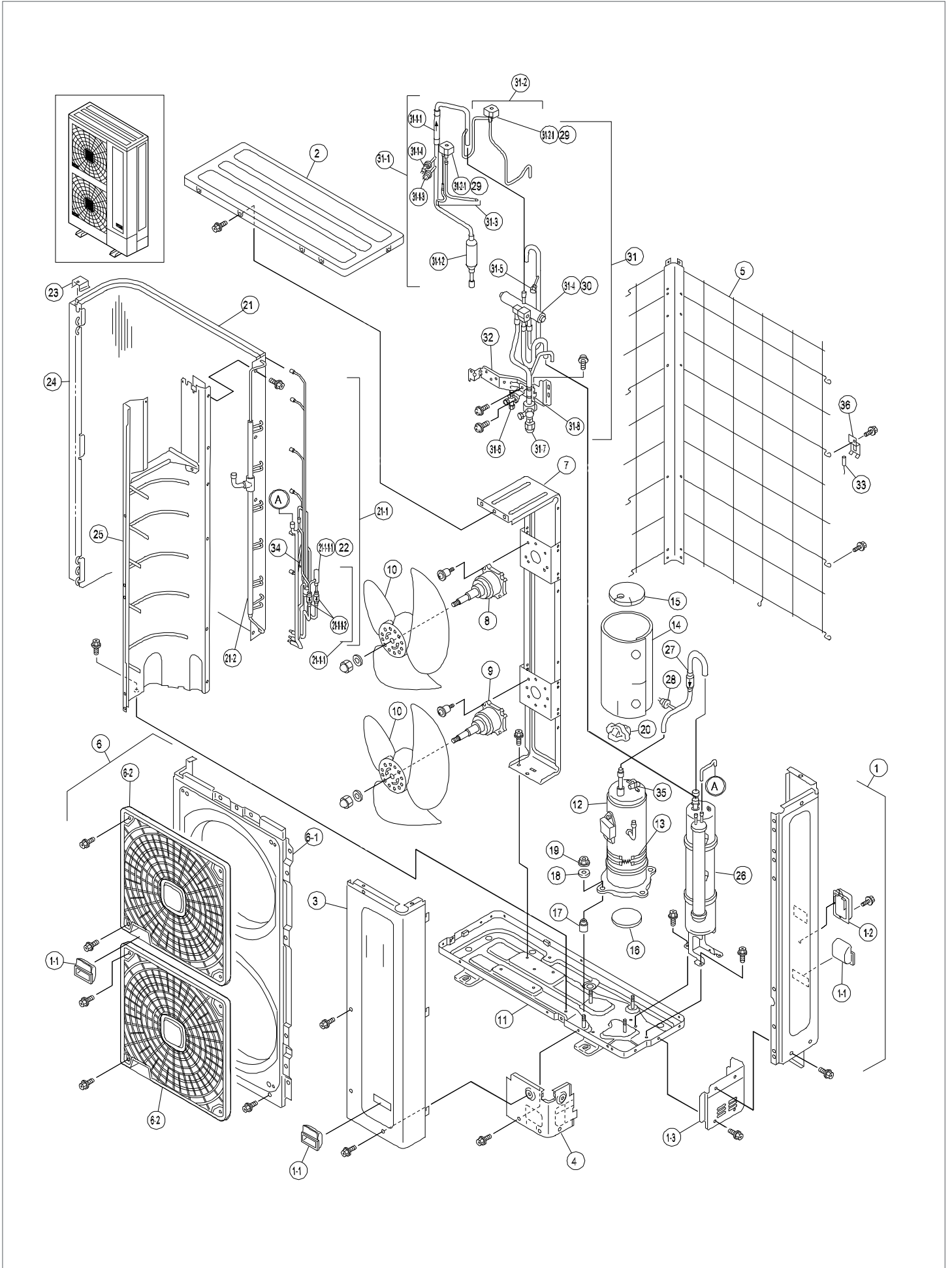
No.	DESCRIPTION	DWG No.	PART No.	Qty	Qty	Qty	Qty	Qty	Qty	REMARKS
1	Rear Cover L Assy	XEK25036 A	E04144	1	1	1	1	1	1	Assembly
1-1	Handle	17C71740 A	E01897	3	3	3	3	3	3	
1-2	H Cover	17B27407 A	E01898	1	1	1	1	1	1	
1-3	Pipe Cover B	17C86251 A	P27003	1	1	1	1	1	1	
2	Upper Cover Assy	XEK24809 A	E03947	1	1	1	1	1	1	Assembly
3	Service Cover L Assy	XEK12407 A	E04137	1						Assembly
3	Service Cover L Assy	XEK12407 B	E04138		1					Assembly
3	Service Cover L Assy	XEK12407 C	E04139			1				Assembly
3	Service Cover L Assy	XEK12407 D	E04140				1			Assembly
3	Service Cover L Assy	XEK12407 E	E04141					1		Assembly
3	Service Cover L Assy	XEK12407 F	E04142						1	Assembly
4	S Cover B	17B36514 A	P27002	1	1	1	1	1	1	Lower Service Cover
5	Protector Net L Assy	XEK24819 A	E04146	1	1	1	1	1	1	
6	Shroud L Unit	XEK25038 A	E04103	1	1	1	1	1	1	Assembly
6-1	Shroud L	XEK01367 A	E04104	1	1	1	1	1	1	Shroud
6-2	Front Protector Net	17A17019 A	E02876	2	2	2	2	2	2	Air Outlet
7	Clamp L Assy	XEK11948 A	E02817	1	1	1	1	1	1	
8	Fan Motor	17B41808 A	P28608	1	1	1	1	1	1	MOF1, DC100W,8P
9	Fan Motor	17B41808 B	P28632	1	1	1	1	1	1	MOF2, DC100W,8P
10	Propeller Fan	17A17362 B	P27001	2	2	2	2	2	2	Ø544
11	B-Base Assy	XEK24826 A	E02096	1	1	1	1	1	1	Assembly
12	Compressor	17F07385 A	09931301	1	1	1				E402HHD-36A2
12	Compressor	17F09654 A	E03352				1	1	1	E402HHD-36D2
13	C Heater	17F05573 B	P29160	1	1	1	1	1	1	240V-52W
14	Acoustical Cover	XEK25143 A	E04430	1	1	1	1	1	1	
15	Acoustical Cover	XEK39996 A	E04808	1	1	1	1	1	1	Upper Cover
16	Acoustical Cover	17F05831 A	P28612	1	1	1	1	1	1	Lower Cover
17	Vibration Absorber	17D21147 B	P28639	4	4	4	4	4	4	

PRODUCT CODE	MODEL NAME
7E350007	RAS-4WHVNPE, 1~ 230V 50HZ
7E350008	RAS-5WHVNPE, 1~ 230V 50HZ
7E350009	RAS-6WHVNPE, 1~ 230V 50HZ
7E350107	RAS-4WHNPE, 3~ 400V 50HZ
7E350108	RAS-5WHNPE, 3~ 400V 50HZ
7E350109	RAS-6WHNPE, 3~ 400V 50HZ

No.	DESCRIPTION	DWG No.	PART No.	Qty	Qty	Qty	Qty	Qty	Qty	REMARKS
18	Vibration Absorber	17D21207 A	P13109	3	3	3	3	3	3	
19	Special Nut	17D49475 A	E02000	2	2	2	2	2	2	
20	Rubber Cap	17B29767 A	P24397	1	1	1	1	1	1	
21	Condenser	XEK01260 A	E03353	1	1	1	1	1	1	Assembly(Heat exchanger + 21-1+21-2)
21-1	Header L Unit	XEK24465 A	E03355	1	1	1	1	1	1	Assembly
21-1-1	EVO Assy	XEK37471 A	E03414	1	1	1	1	1	1	Assembly
21-1-1-1	Expansion Valve	17F05654 A	P28614	1	1	1	1	1	1	EVO
21-1-1-2	Strainer	17G62701 B	P25037	2	2	2	2	2	2	
21-2	Header G Unit	17F07363 A	E03354	1	1	1	1	1	1	Assembly
22	EXPV Coil	17C78180 A	P26009	1	1	1	1	1	1	Coil for Expansion Valve
23	Stay	17G57303 A	E02105	1	1	1	1	1	1	
24	End P Unit	17C87812 B	E02107	1	1	1	1	1	1	
25	Partition Assy	XEK22987 C	E01896	1	1	1	1	1	1	
26	Tank Assy	XEK24454 A	E03356	1	1	1	1	1	1	Assembly
27	Strainer	17G55723 A	P24399	1	1	1	1	1	1	
28	Pressure SW	XEK24355 A	E03342	1	1	1	1	1	1	For Low Pressure
29	Coil 20	17C64850 B	P25454	2	2	2	2	2	2	Coil for Solenoid Valve
30	Coil	17F07262 A	P28921	1	1	1	1	1	1	Coil for 4-Way Valve
31	4-Way Valve Assy	XEK12135 A	E03358	1	1	1	1	1	1	Assembly
31-1	D Pipe Unit	XEK37451 A	E03425	1	1	1	1	1	1	Assembly
31-1-1	Check Valve	17C84659 A	P10777	1	1	1	1	1	1	
31-1-2	Silencer	17H05922 A	P28629	1	1	1	1	1	1	
31-1-3	Pressure SW	XEK22551 A	P26839	1	1	1	1	1	1	PSH (High)
31-1-4	P-Sensor	17B46257 A	E04508	1	1	1	1	1	1	PSC (Control)
31-2	SVC Assy	17H08917 A	E03361	1	1	1	1	1	1	
31-2-1	Solenoid Valve	17C77098 A	P25246	2	2	2	2	2	2	SVA
31-3	SVA Assy	17H12381 A	E03360	1	1	1	1	1	1	Assembly
31-4	4 Way Valve	17C73725 A	P26337	1	1	1	1	1	1	RVR

MODEL NAME	PRODUCT CODE
RAS-4WHVNPE, 1~ 230V 50HZ	7E350007
RAS-5WHVNPE, 1~ 230V 50HZ	7E350008
RAS-6WHVNPE, 1~ 230V 50HZ	7E350009
RAS-4WHNPE, 3~ 400V 50HZ	7E350107
RAS-5WHNPE, 3~ 400V 50HZ	7E350108
RAS-6WHNPE, 3~ 400V 50HZ	7E350109

No.	DESCRIPTION	DWG No.	PART No.	Qty	Qty	Qty	Qty	Qty	Qty	REMARKS
31-5	Check JA	17C75461 A	E01160	1	1	1	1	1	1	
31-6	Stop Valve	17F06326 A	P28918	1	1	1	1	1	1	For liquid line 3/8
31-7	Stop Valve	17F06815 A	P28924	1	1	1	1	1	1	For gas line 5/8
31-8	Valve Stay	17F07248 A	E03362	1	1	1	1	1	1	
32	V-Stay	17F07129 A	E03363	1	1	1	1	1	1	
33	Thermistor	17C59663 E	E00692	1	1	1	1	1	1	For Outdoor Temp., THM7
34	Thermistor	17C59664 D	P23504	1	1	1	1	1	1	For Pipe Temp., THM8
35	Thermistor	17B24597 A	P22521	1	1	1	1	1	1	For Discharge Gas Temp. THM9
36	TH-Plate	XEK21470 A	E01901	1	1	1	1	1	1	

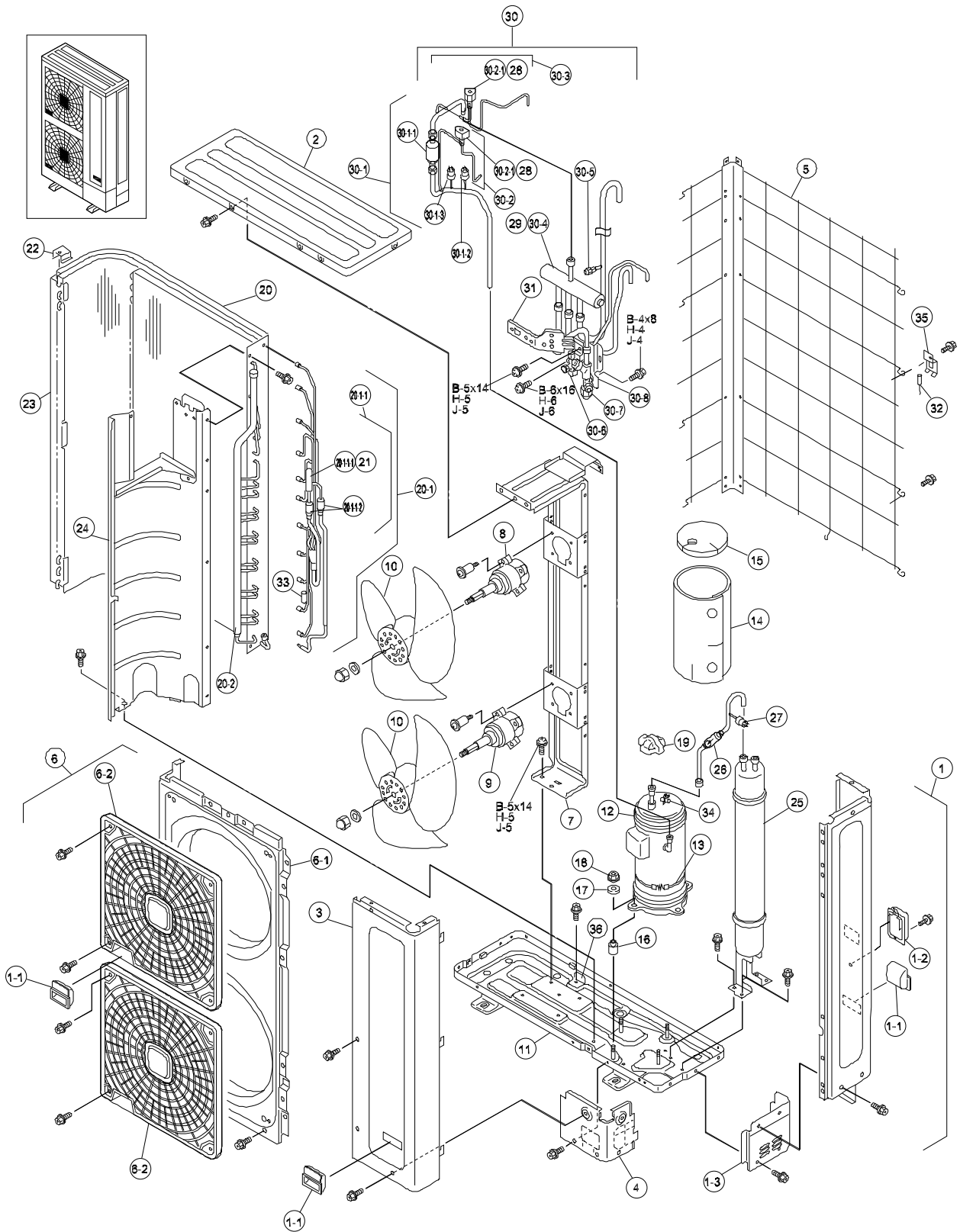


PRODUCT CODE	7E350110
	7E350111
MODEL NAME	RAS-8WHNPE, 3~ 400V 50Hz
	RAS-10WHNPE, 3~ 400V 50Hz

No.	DESCRIPTION	DWG No.	PART No.	Qty	Qty	REMARKS
1	Rear Cover L Assy	XEK25036 A	E04144	1	1	Assembly
1-1	Handle	17C71740 A	E01897	3	3	
1-2	H Cover	17B27407 A	E01898	1	1	
1-3	Pipe Cover B	17C86251 A	P27003	1	1	
2	Upper Cover Assy	XEK24809 A	E03947	1	1	Assembly
3	Service Cover L Assy	XEK12406 A	E04133	1		Assembly
3	Service Cover L Assy	XEK12406 C	E04135		1	Assembly
4	S Cover B	17B36514 A	P27002	1	1	Lower Service Cover
5	Protector Net L Assy	XEK24819 A	E04146	1	1	
6	Shroud L Unit	XEK25038 A	E04103	1	1	Assembly
6-1	Shroud L	XEK01367 A	E04104	1	1	Shroud
6-2	Front Protector Net	17A17019 A	E02876	2	2	Air Outlet
7	Clamp L Assy	XEK11780 B	E03447	1	1	
8	Fan Motor	17B41282 H	P28636	1	1	DC138W, 8P
9	Fan Motor	17B41282 K	P28638	1	1	DC138W, 8P
10	Propeller Fan	17A17362 B	P27001	2	2	Ø544
11	B-Base Assy	XEK24826 A	E02096	1	1	Assembly
12	Compressor	17F10195 A	E03450	1		Comp DA50PHD-D1SE2
12	Compressor	17F10196 A	E03451		1	Comp DA65PHD-D1SE2
13	C Heater	17B34124 E	E03452	1	1	240V-40.8W
14	Acoustical Cover	XEK25143 D	E04769	1	1	
15	Acoustical Cover	XEK39996 D	E04810	1	1	Upper Cap
16	Vibration Absorber	17D21147 B	P28639	4	4	
17	Vibration Absorber	17D21207 A	P13109	3	3	
18	Special Nut	17D49475 A	E02000	2	2	
19	Rubber Cap	17B29767 A	P24397	1	1	
20	Condenser	XEK01285 A	E03466	1	1	Assembly (Heat exchanger + 21-1 + 21-2)
20-1	Header L Unit	XEK24539 A	E03467	1	1	Assembly
20-1-1	EVO Assy	XEK24537 A	E03468	1	1	Assembly
20-1-1-1	Expansion Valve	17C78181 A	P26008	1	1	

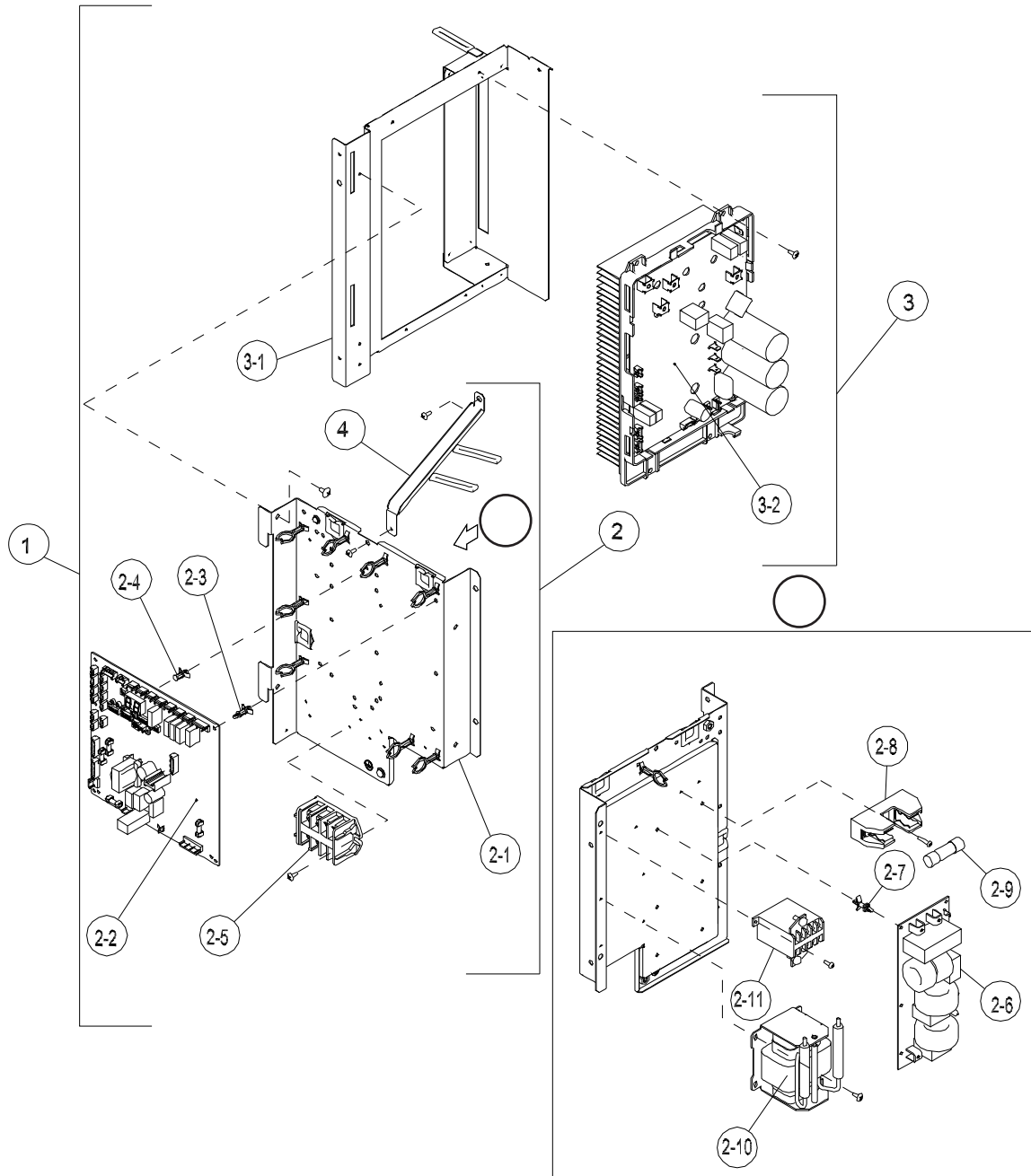
No.	DESCRIPTION	DWG No.	PART No.	MODEL NAME		REMARKS
				RAS-8WHNPE, 3~400V 50Hz	RAS-10WHNPE, 3~400V 50Hz	
				PRODUCT CODE		
				7E350110	7E350111	
20-1-1-2	Strainer	17G56584 B	P26471	2	2	
20-2	Header G Unit	17F05096 A	E03458	1	1	Assembly
21	EXPV Coil	17C78180 A	P26009	1	1	Coil for Expansion Valve
22	Stay	17G57303 A	E02105	1	1	
23	End P Unit	17C87812 B	E02107	1	1	
24	Partition Assy	XEK22987 B	E03459	1	1	
25	Accumulator Assy	XEK24545 A	E03460	1	1	Assembly
26	Strainer	17G55723 A	P24399	1	1	
27	Pressure SW	XEK24355 A	E03342	1	1	
28	Coil 20	17C64850 B	P25454	2	2	Coil for Solenoid Valve
29	Coil	17F07262 A	P28921	1	1	Coil for 4 Way Valve
30	4-Way Valve Assy	XEK12194 A	E03469	1		Assembly
30	4-Way Valve Assy	XEK12194 B	E03470		1	Assembly
30-1	D Pipe Unit	XEK24547 A	E03471	1	1	
30-1-1	Check Valve	17F08040 A	P29954	1	1	
30-1-2	Pressure SW	XEK22551 A	P25043	1	1	PSH (High)
30-1-3	P-Sensor	17B46257 A	E04508	1	1	PSC (Control)
30-2	SVC Assy	17H13080 A	E03453	1	1	
30-2-1	Solenoid Valve	17C77098 A	P25246	2	2	SVA
30-3	SVA Assy	17H08514 A	E03448	1	1	
30-4	4 Way Valve	17C73725 A	P26337	1	1	RVR
30-5	Check JA	17C75461 A	E01160	1	1	
30-6	Stop Valve	17F06326 A	P28918	1		For liquid line 3/8
30-6	Stop Valve	17F06327 A	E03449		1	For liquid line 1/2
30-7	B Valve	17F06816 A	P28926	1	1	For gas line 3/4
30-8	Valve Stay	17F07248 A	E03362	1	1	
31	V-Stay	17G40832 B	E03345	1	1	
32	Thermistor	17C59663 E	E00692	1	1	for Outdoor Temp., THM7
33	Thermistor	17C59664 E	P23507	1	1	for Pipe Temp., THM8
34	Thermistor	17B24597 K	P23508	1	1	for Condenser Temp., THM9

No.	DESCRIPTION	DWG No.	PART No.	MODEL NAME		PRODUCT CODE	REMARKS
				RAS-8WHNPE, 3~ 400V 50Hz	RAS-10WHNPE, 3~ 400V 50Hz		
35	TH-Plate	XEK21470 A	E01901	1	1	7E350110	
36	Condenser Support	17G85303 A	E02113	1	1	7E350111	

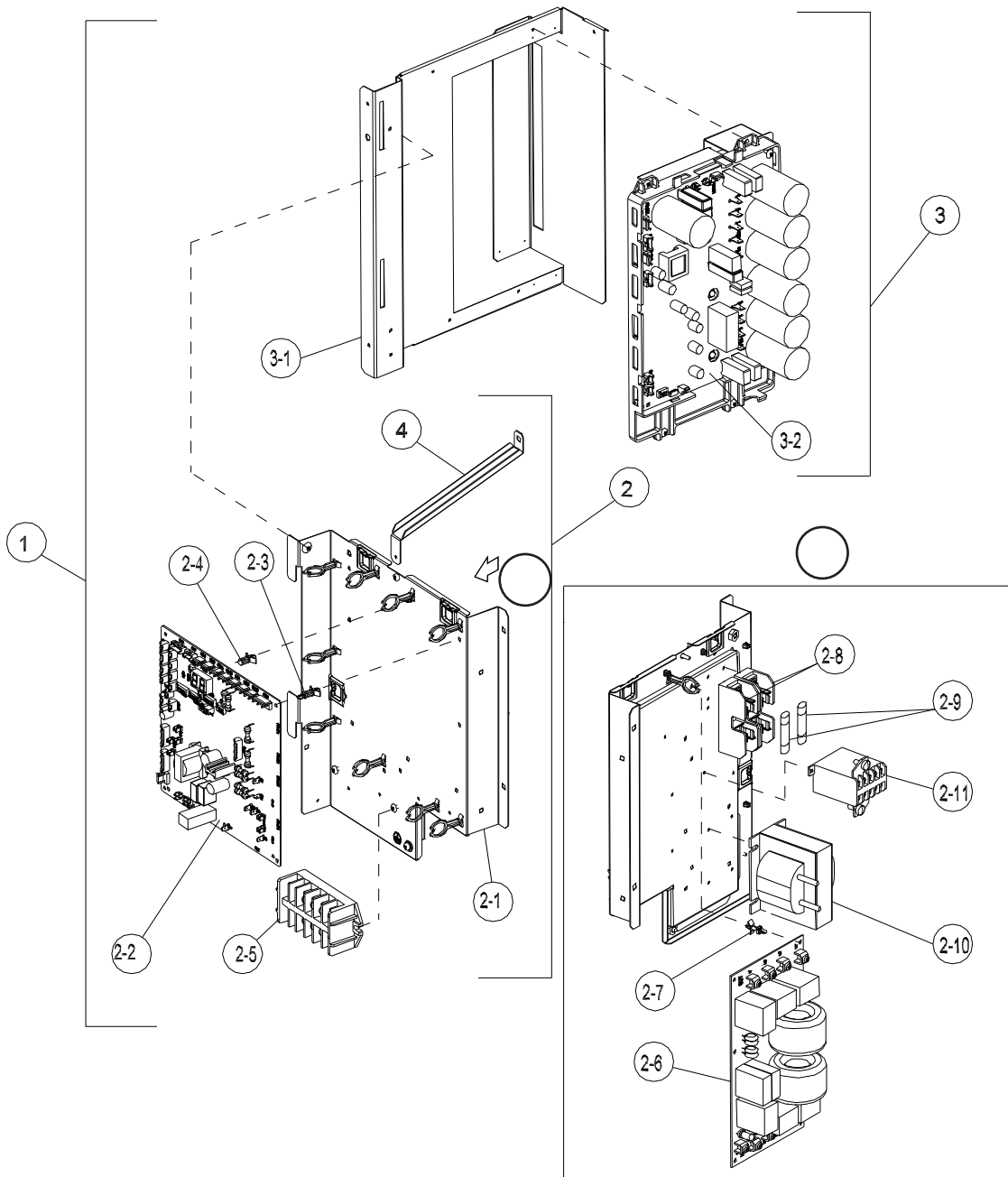




No.	DESCRIPTION	DWG No.	PART No.	MODEL NAME			REMARKS
				RAS-4WHVNPE, 1~ 230V 50Hz	RAS-5WHVNPE, 1~ 230V 50Hz	RAS-6WHVNPE, 1~ 230V 50Hz	
				PRODUCT CODE			
				7E350007	7E350008	7E350009	
1	Electrical Box	XEK01262 A	E03416	1			Assembly (2+3+Harness)
1	Electrical Box	XEK01262 B	E03417		1		Assembly (2+3+Harness)
1	Electrical Box	XEK01262 C	E03418			1	Assembly (2+3+Harness)
2	P Plate Unit	XEK12138 B	E03365	1	1	1	Assembly (2-1~2-11)
2-1	P Plate Assy	XEK37454 A	E03366	1	1	1	Assembly
2-2	Printed Circuit Board	XEK39667 A	E04667	1	1	1	PCB1, PO101A Assy
2-3	Spacer	XEK30992 B	P19112	6	6	6	For PCB1
2-4	Push Spacer	XEK31888 A	E00738	2	2	2	For PCB1
2-5	Terminal Board	17C74177 A	E01818	1	1	1	TB
2-6	Noise Filter	17B42008 A	P28596	1	1	1	NF
2-7	Spacer	XEK34315 A	E01789	6	6	6	For Noise Filter
2-8	Fuse Holder	17C68732 A	P24729	1	1	1	
2-9	Fuse	XEK32372 C	P24728	1	1	1	50A
2-10	Reactor Unit	17G93177 B	E02468	1	1	1	
2-11	MG SW	17B28277 B	P24721	1	1	1	CMC1
3	Power Unit Assy	XEK24440 A	E03369	1	1	1	Assembly (3-1~3-2)
3-1	Power Stay Assy	XEK36265 A	E02424	1	1	1	Assembly
3-2	Inv. Fin Assy	17F07378 C	E03371	1	1	1	
4	Upper Support	XEK36287 A	E02427	1	1	1	



No.	DESCRIPTION	DWG No.	PART No.	MODEL NAME			REMARKS
				Qty	Qty	Qty	
				PRODUCT CODE			
				RAS-4WHNPE, 3~ 400V 50HZ	7E350107		
				RAS-5WHNPE, 3~ 400V 50HZ	7E350108		
				RAS-6WHNPE, 3~ 400V 50HZ	7E350109		
1	Electrical Box	XEK01263 A	E03419	1			Assembly (2+3+Harness)
1	Electrical Box	XEK01263 B	E03420		1		Assembly (2+3+Harness)
1	Electrical Box	XEK01263 C	E03421			1	Assembly (2+3+Harness)
2	P Plate Unit	XEK12139 A	E03372	1	1	1	Assembly (2-1~2-11)
2-1	P Plate Assy	XEK37454 A	E03366	1	1	1	Assembly
2-2	Printed Circuit Board	XEK39667 B	E04668	1	1	1	PCB1, PO101B Assy
2-3	Spacer	XEK30992 B	P19112	6	6	6	For PCB1
2-4	Push Spacer	XEK31888 A	E00738	2	2	2	For PCB1
2-5	Terminal Board	XEK20967 A	E00705	1	1	1	TB
2-6	Noise Filter	17B41798 A	P28595	1	1	1	NF
2-7	Spacer	XEK34315 A	E01789	6	6	6	For Noise Filter
2-8	Fuse Holder	17C66740 A	E01015	2	2	2	
2-9	Fuse	XEK32373 D	E00810	2	2	2	20A
2-10	Reactor Unit	XEK36243 C	E03374	1	1	1	
2-11	MG SW	17B28277 B	P24721	1	1	1	Fuji Electric,FC-0/SP
3	Power Unit Assy	XEK24441 A	E03375	1	1	1	Assembly (3-1~3-2)
3-1	Power Stay Assy	XEK36266 A	E02437	1	1	1	Assembly
3-2	Inv. Fin Assy	17F04353 B	E03376	1	1	1	
4	Upper Support	XEK36287 A	E02427	1	1	1	



No.	DESCRIPTION	DWG No.	PART No.	MODEL NAME		REMARKS
				RAS-8WHNPE, 3~ 400V 50HZ	RAS-10WHNPE, 3~ 400V 50HZ	
				PRODUCT CODE		
				7E350110	7E350111	
1	Electrical Box	XEK01288 A	E03435	1		Assembly (2+3+4+Harness)
1	Electrical Box	XEK01288 C	E03437		1	Assembly (2+3+4+Harness)
2	P Plate Assy	XEK12197 A	E03439	1	1	Assembly
2-1	Printed Circuit Board	XEK39667 B	E04668	1	1	PCB1, PO101B Assy
2-2	Spacer	XEK34315 A	E01789	18	18	For PCB1, PCB3, Noise Filter,
2-3	Push Spacer	XEK34316 A	P21189	2	2	For PCB1
2-4	Printed Circuit Board	17H20961 A	P29696	1	1	PCB3, PO121A Assy
2-5	Terminal Board	XEK20967 A	E00705	1	1	TB
2-6	Noise Filter	17B41798 A	P28595	1	1	NF
2-7	Fuse Holder	17C68732 A	P24729	2	2	
2-8	Fuse	XEK32372 B	P24776	2	2	40A
3	Power Unit	XEK12198 A	E03441	1	1	Order together with E03779 (Part n°7)
3-1	Inverter Fin	17C85114 A	E02042	1	1	
3-2	Diode M	17B40192 A	P27214	1	1	DM
3-3	Transistor M	17B37211 A	P27215	1	1	
3-4	Printed Circuit Board	17B41615 B	E03160	1	1	PCB2, PV093 Assy
3-5	Collar	17G15233 B	P20986	4	4	Plastic Material
3-6	Bush	17G15232 A	P26098	4	4	Plastic Material
3-7	Push Spacer	XEK34316 B	E01617	1	1	For PCB2
3-8	Thermistor	17B33964 B	P26474	1	1	Fin thermistor
4	CB Stay Assy	XEK12199 A	E03442	1	1	Assembly
4-1	Reactor Unit	XEK36054 B	E03443	1	1	DCL
4-2	MG SW	17B28277 B	P24721	1	1	CMC
4-3	Resister	17B33595 A	P26062	2	2	RS1, RS2
4-4	Resistor	17B41920 A	P28599	1	1	R1 (6,3kΩ)
4-5	Resistor	17B41920 B	P28600	1	1	R2 (10,5kΩ)
4-6	Capacitor	17B37350 B	P28597	2	2	CB1, CB2 (450V, 4700μF)

MODEL NAME	RAS-8WHNPE, 3~ 400V 50Hz	7E350110
	RAS-10WHNPE, 3~ 400V 50Hz	7E350111

No.	DESCRIPTION	DWG No.	PART No.	Qty	Qty	REMARKS
5	Noise Suppressor	17G85788 D	E03909	1	1	ZNR Assy
6	Capacitor Assy	17H15163 A	E03704	1	1	HRN PC301
7	Stay Unit	XEK37863 A	E03779	1	1	

