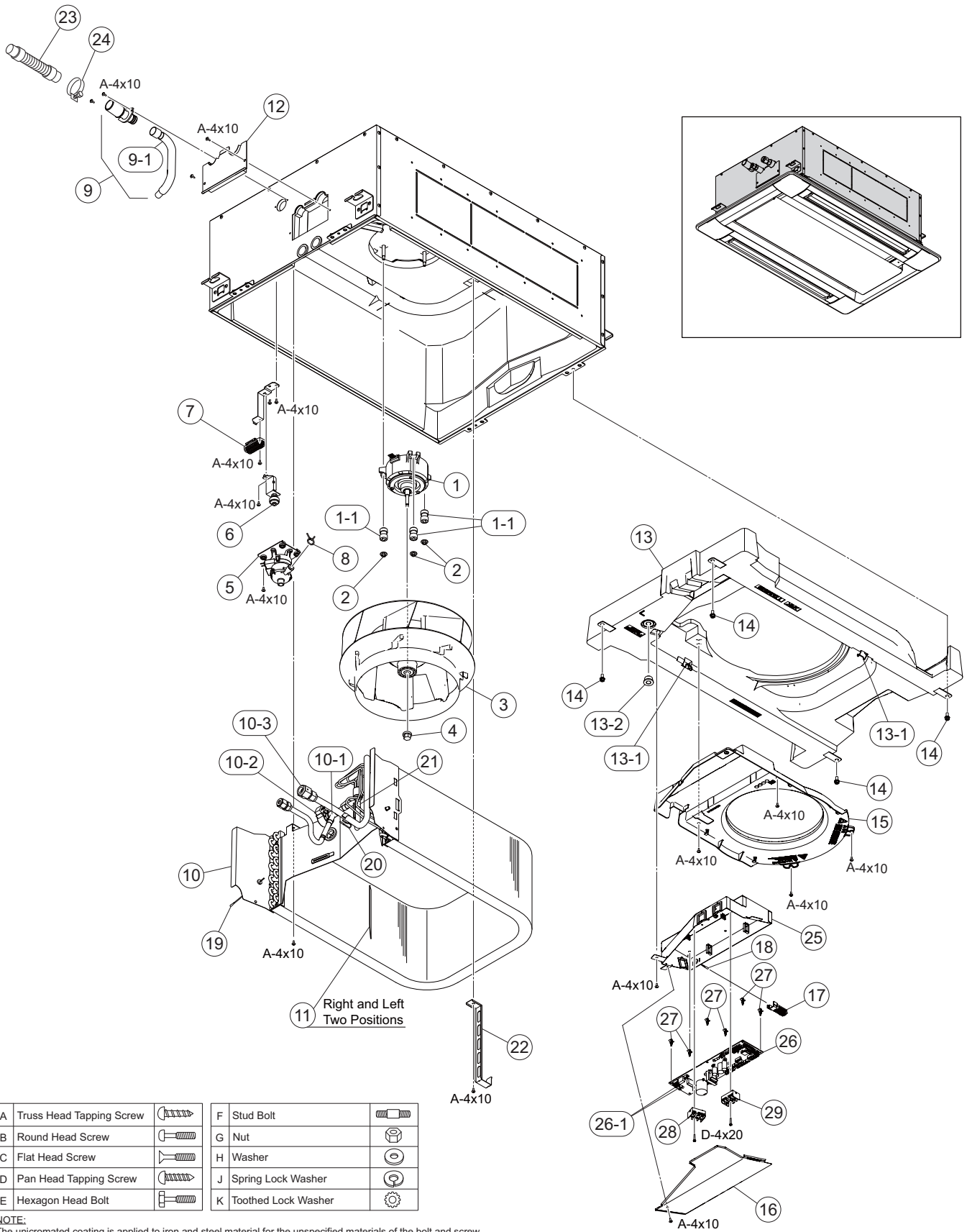


(P0156x-01)

					Voltage						
					1φ 230V / 50Hz						
No.	Part Name	Replacement Part		Remarks	Q'ty Per Unit						
		Draw. No.	Order No.		RCD-0.8FSN3	RCD-1.0FSN3	RCD-1.5FSN3	RCD-2.0FSN3	RCD-2.5FSN3	RCD-3.0FSN3	
1	Fan Motor	17B46897C	P30483	No.1-1 Vibration Absorber x 3	1	1	1	1	1	1	1
1-1	Vibration Absorber	17H25501A	P30485		3	3	3	3	3	3	3
2	Nut	17H12116A	P28899		3	3	3	3	3	3	3
3	Turbo Fan	17A24341A	P30486		1	1	1	1	1	1	1
4	Nut	17F15706A	P30487		1	1	1	1	1	1	1
5	Drain Pump	17B42037B	P30488		1	1	1	1	1	1	1
6	Float Switch Assy	17H12815B	P30489		1	1	1	1	1	1	1
7	Antibacterial Agent Assy	17E26752A	P30499		1	1	1	1	1	1	1
8	Wire Clamp	SQ4-2028G	P21284		1	1	1	1	1	1	1
9	Drain Hose Assy	17H20078A	P29753		1	1	1	1	1	1	1
9-1	Drain Hose	17C53519A	P21271		1	1	1	1	1	1	1
10	Heat Exchanger Assy	17B46411A	P30490	No.10-1 Expansion Valve x 1, No.10-2 Motor for EXPV. x 1, No.10-3 Flare Nut x 1	1	1					
	Heat Exchanger Assy	17B46412A	P30491				1	1			
	Heat Exchanger Assy	17B46413B	P30505						1	1	
10-1	Expansion Valve	17F04391A	P28701		1	1	1	1			
	Expansion Valve	17F04392A	P28702						1	1	
10-2	Motor for EXPV.	17F04390A	P29142	for Expansion Valve	1	1	1	1	1	1	1
10-3	Flare Nut	17E20872C	R4226	φ12.7	1	1	1	1			
	Flare Nut	17E20872D	R4227	φ15.88					1	1	
11	Wind Direction Plate	17F15832A	P30500		2	2	2	2	2	2	2
12	Pipe Cover Assy	17H25113A			1	1	1	1	1	1	1
13	Drain Pan Assy	17B46406A	P30494	No.13-1 Hook x 2, No.13-2 Rubber Cap x 1	1	1	1	1	1	1	1
13-1	Hook	17H26225A			2	2	2	2	2	2	2
13-2	Rubber Cap	17G53386A	P28881		1	1	1	1	1	1	1
14	Special Screw	17G09328A			4	4	4	4	4	4	4
15	Bell Mouth Assy	17B46408A	P30496		1	1	1	1	1	1	1
16	Electrical Box Cover	17F15064B			1	1	1	1	1	1	1
17	Thermistor Case	17H26183A	P30501	for THM1	1	1	1	1	1	1	1
18	Thermistor	17B24598A	P24017	for Air Inlet, THM1	1	1	1	1	1	1	1
19	Thermistor	17B24598H	P23588	for Air Outlet, THM2	1	1	1	1	1	1	1
20	Thermistor	17B42635A	P28901	for Gas Pipe, THM5	1	1	1	1	1	1	1
21	Thermistor	17B42636A	P28902	for Freeze Protection, THM3	1	1	1	1	1	1	1
22	Support Plate	17H25097A			1	1					
	Support Plate	17H25097B					1	1	1	1	1
23	Hose	17C78348A	P25911		1	1	1	1	1	1	1
24	Hose Clip	17C93558A	P28308		1	1	1	1	1	1	1
25	Electrical Box	17F15063B			1	1	1	1	1	1	1
26	PCB-S	17H27743D	P30759	PCB1, PI143, No.26-1 Fuse x 1	1	1	1	1	1	1	1
26-1	Fuse	17C90851A	P27957	EFR1, 5A	1	1	1	1	1	1	1
27	Spacer	17D81271B	P19516	for PCB1	6	6	6	6	6	6	6
28	Terminal Block	17B46279E	P30880	TB1	1	1	1	1	1	1	1
29	Terminal Block	17B42182E	P30498	TB2	1	1	1	1	1	1	1



A	Truss Head Tapping Screw		F	Stud Bolt	
B	Round Head Screw		G	Nut	
C	Flat Head Screw		H	Washer	
D	Pan Head Tapping Screw		J	Spring Lock Washer	
E	Hexagon Head Bolt		K	Toothed Lock Washer	

NOTE:  
The unicomated coating is applied to iron and steel material for the unspecified materials of the bolt and screw.

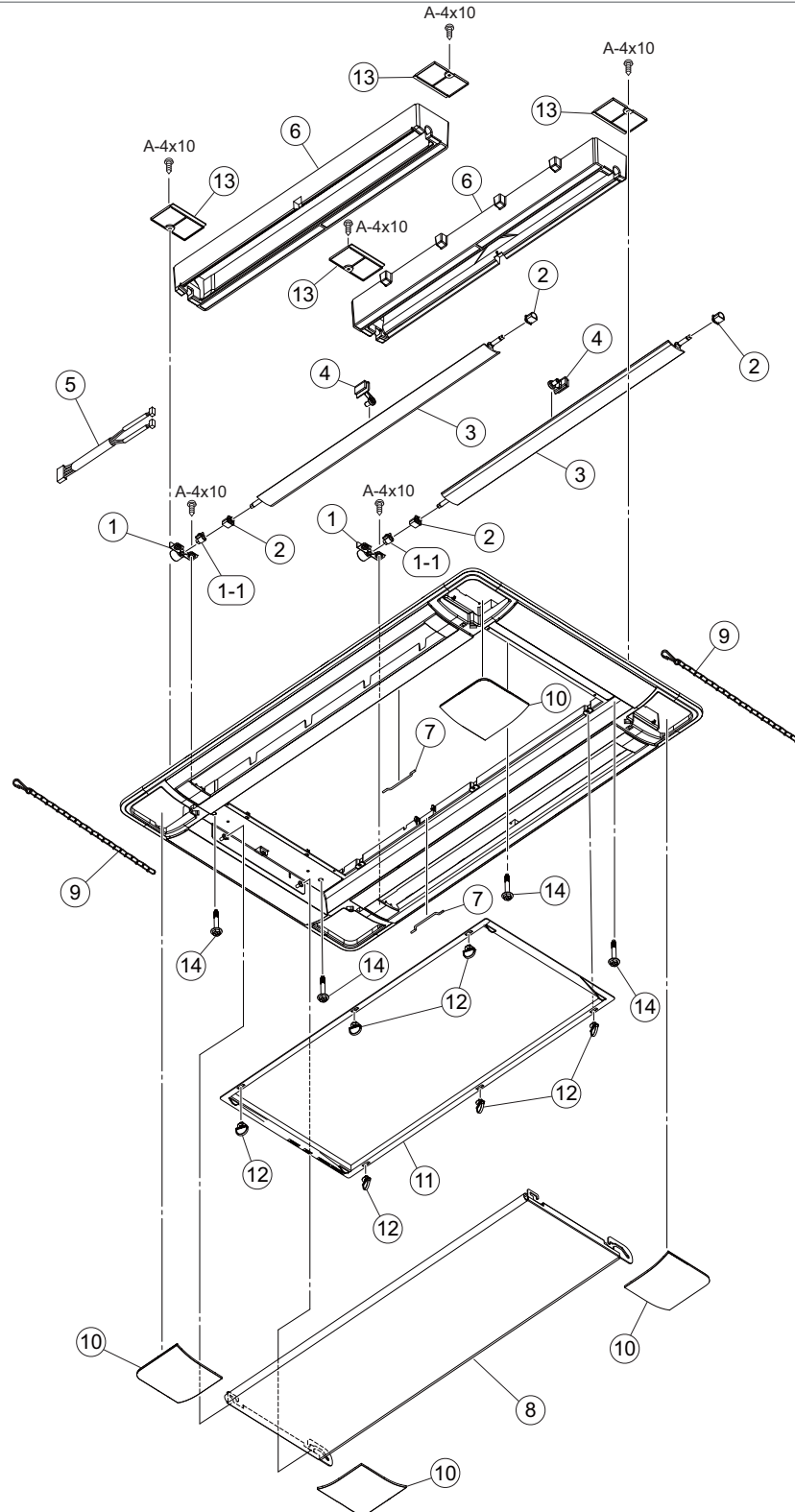
**NOTE:**

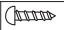

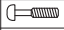

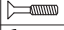





The parts without order number are the custom-ordered, and these are not mentioned in the price list. When ordering them, the part name and the drawing number are required. Contact your HITACHI distributor for the delivery date and price about them.

					(P0156x-02)		
					Voltage		
					1φ 230V / 50Hz		
No.	Part Name	Replacement Part		Remarks	Q'ty Per Unit		
		Draw. No.	Order No.		RCD-4.0FSN3	RCD-5.0FSN3	RCD-6.0FSN3
1	Fan Motor	17B46897C	P30483	No.1-1 Vibration Absorber x 3	1	1	1
1-1	Vibration Absorber	17H25501A	P30485		3	3	3
2	Fan Motor	17B46897D	P30484	No.2-1 Vibration Absorber x 3	1	1	1
2-1	Vibration Absorber	17H25501A	P30485		3	3	3
3	Nut	17H12116A	P28899		6	6	6
4	Turbo Fan	17A24341A	P30486		2	2	2
5	Nut	17F15706A	P30487		2	2	2
6	Drain Pump	17B42037B	P30488		1	1	1
7	Float Switch Assy	17H12815B	P30489		1	1	1
8	Antibacterial Agent Assy	17E26752A	P30499		1	1	1
9	Wire Clamp	SQ4-2028G	P21284		1	1	1
10	Drain Hose Assy	17H20078A	P29753		1	1	1
10-1	Drain Hose	17C53519A	P21271		1	1	1
11	Heat Exchanger Assy	17B46414A	P30493	No.11-1 Expansion Valve x 1, No.11-2 Motor for EXPV. x 1, No.11-3 Flare Nut x 1	1	1	1
11-1	Expansion Valve	17F04392A	P28702		1		
	Expansion Valve	17F04393A	P28703			1	1
11-2	Motor for EXPV.	17F04390A	P29142	for Expansion Valve	1	1	1
11-3	Flare Nut	17E20872D	R4227	φ15.88	1	1	1
12	Wind Direction Plate	17F15832A	P30500		4	4	4
13	Pipe Cover Assy	17H25113A			1	1	1
14	Drain Pan Assy	17B46406B	P30495	No.14-1 Hook x 2, No.14-2 Rubber Cap x 1	1	1	1
14-1	Hook	17H26225A			2	2	2
14-2	Rubber Cap	17G53386A	P28881		1	1	1
15	Special Screw	17G09328A			4	4	4
16	Bell Mouth Assy	17B46408A	P30496		1	1	1
17	Bell Mouth Assy	17B46409A	P30497		1	1	1
18	Electrical Box Cover	17F15064B			1	1	1
19	Electrical Box Cover	17H25091B			1	1	1
20	Thermistor Case	17H26183A	P30501	for THM1	1	1	1
21	Thermistor	17B24598A	P24017	for Air Inlet, THM1	1	1	1
22	Thermistor	17B24598H	P23588	for Air Outlet, THM2	1	1	1
23	Thermistor	17B42635A	P28901	for Gas Pipe, THM5	1	1	1
24	Thermistor	17B42636A	P28902	for Freeze Protection, THM3	1	1	1
25	Fan Partition Plate	17H25096A			1	1	1
26	Support Plate	17H25097B			3	3	3
27	Hose	17C78348A	P25911		1	1	1
28	Hose Clip	17C93558A	P28308		1	1	1
29	Electrical Box	17F15063B			1	1	1
30	Electrical Box	17H25090B			1	1	1
31	PCB-S	17H27743D	P30759	PCB1, PI143, No.31-1 Fuse x 1	1	1	1
31-1	Fuse	17C90851A	P27957	EFR1, 5A	1	1	1
32	PCB-S	17H25940B	P30758	PCB2, PI141, No.32-1 Fuse x 1	1	1	1
32-1	Fuse	17C90851A	P27957	5A	1	1	1
33	Spacer	17D81271B	P19516		10	10	10
34	Terminal Block	17B43600A	P29234		1	1	1
35	Terminal Block	17B42182E	P30498		1	1	1





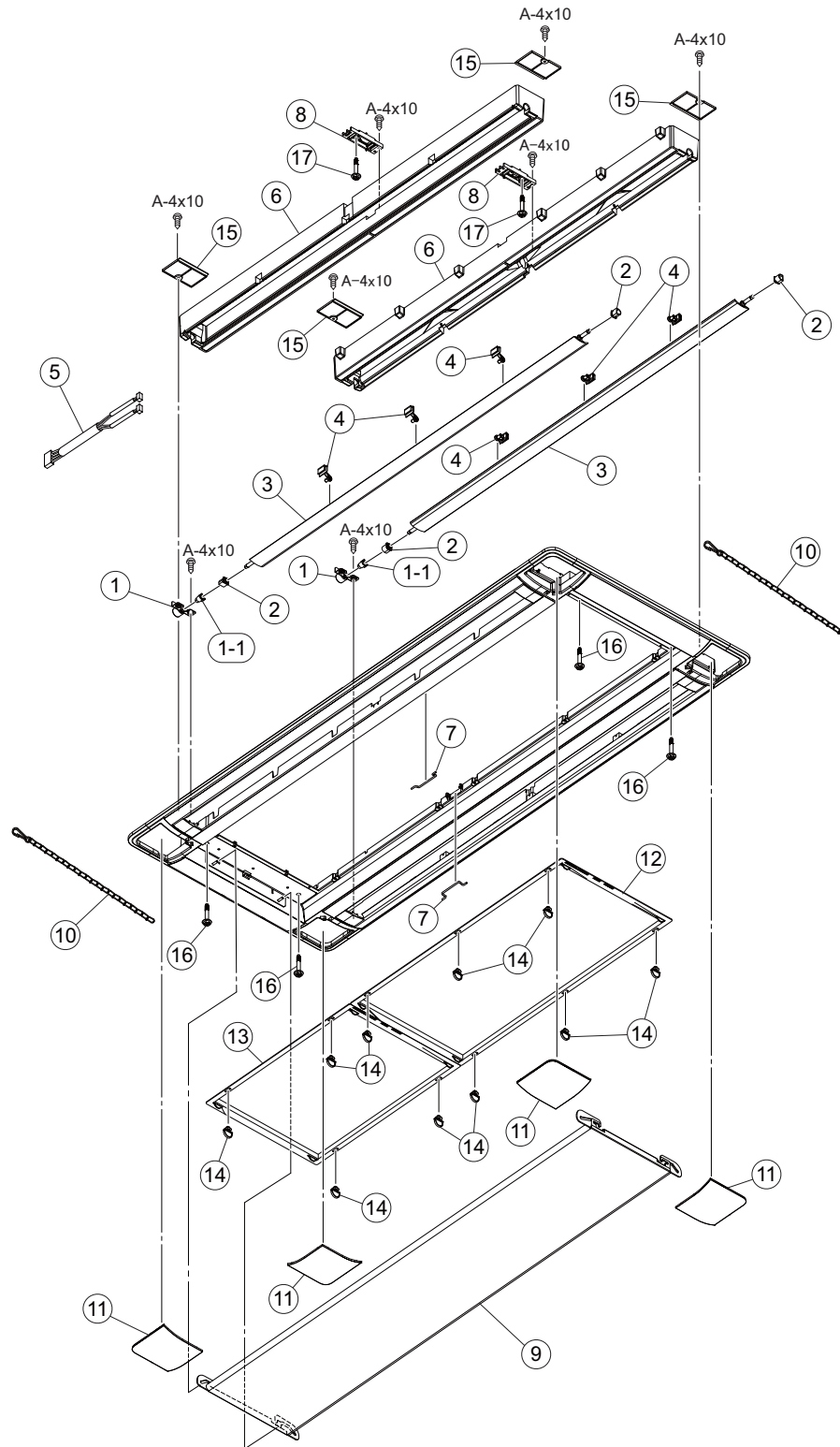


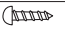
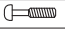

A	Truss Head Tapping Screw		F	Stud Bolt	
B	Round Head Screw		G	Nut	
C	Flat Head Screw		H	Washer	
D	Pan Head Tapping Screw		J	Spring Lock Washer	
E	Hexagon Head Bolt		K	Toothed Lock Washer	

**NOTE:**  
The uncoated coating is applied to iron and steel material for the unspecified materials of the bolt and screw.

**NOTE:**  
The parts without order number are the custom-ordered, and these are not mentioned in the price list. When ordering them, the part name and the drawing number are required. Contact your HITACHI distributor for the delivery date and price about them.





A	Truss Head Tapping Screw		F	Stud Bolt	
B	Round Head Screw		G	Nut	
C	Flat Head Screw		H	Washer	
D	Pan Head Tapping Screw		J	Spring Lock Washer	
E	Hexagon Head Bolt		K	Toothed Lock Washer	

**NOTE:**  
The uncoated coating is applied to iron and steel material for the unspecified materials of the bolt and screw.

**NOTE:**  
The parts without order number are the custom-ordered, and these are not mentioned in the price list. When ordering them, the part name and the drawing number are required. Contact your HITACHI distributor for the delivery date and price about them.