

PRODUCT CODE	7E483003
	7E483203
	7E483004
	7E483204
	7E483005
	7E483205
	MODEL NAME

No.	DESCRIPTION	DWG No.	PART No.	Qty	Qty	Qty	Qty	Qty	Qty	REMARKS
1	Foot	XEK38993 A	E04869	4	4	4	4	4	4	
2	Water Tank 200L SC	XEK01468 A	E04966	1		1		1		
2	Water Tank 200L UK	XEK01473 A	E04969		1		1		1	
2-1	Tank Heater	XEK38403 A	E04088	1	1	1	1	1	1	
2-2	Bottom tank flange	XEK39955 A	E04768	1	1	1	1	1	1	
3	Front Insulation	XEK12322 B	E04084	1	1	1	1	1	1	
4	Back Insulation	XEK12321 B	E04085	1	1	1	1	1	1	
5	Th Insulation	XEK24863 A	E04068	1		1		1		
5	Square Insulation	XEK39997 A	E05028		1		1		1	
6	Expansion Vessel (6 L)	XEK25338 A	E04893	1	1	1	1	1	1	
7	Flexible Pipe	XEK24724 G	E04048	1	1	1	1	1	1	for Vessel connection.
8	Phex Unit	XEK25517 A	E05007	1	1					Assembly.
8	Phex Unit	XEK25517 B	E05008			1	1			Assembly.
8	Phex Unit	XEK25517 C	E05009					1	1	Assembly.
8-1	Plate Hex	XEK25315 A	E04974	1	1					
8-1	Plate Hex	XEK25315 B	E04975			1	1			
8-1	Plate Hex	XEK25315 C	E04896					1	1	
8-2	Expansion Valve	X17F04391 A	E03076	1	1					
8-2	Expansion Valve	X17F04392 A	E03077			1	1	1	1	
8-3	Strainer	17G62700 A	P25041	2	2	2	2	2	2	
9	Seal Nut	XEK37280 A	E04868	2	2	2	2	2	2	
10	Seal Gasket	XEK37498 B	E04871	2	2	2	2	2	2	for Seal Nut connection.
11	Union	XEK38176 A	E04073	1	1	1	1	1	1	
12	Union	27JR1717	E02488	1	1	1	1	1	1	Gas connection.
13	Flare Nut	25JR1700	E02490	1	1	1	1	1	1	Gas connection.
14	Union	27JR0609	E02935	1	1					Liquid connection.
14	Union	27JR0913	E02487			1	1	1	1	Liquid connection.
15	Flare Nut	25JR0600	E02936	1	1					Liquid connection.
15	Flare Nut	25JR0900	E02489			1	1	1	1	Liquid connection.
16	Pump	XEK25342 A	E04894	1	1	1	1	1	1	
17	E-Heater Unit	XEK39559 A	E05023	1	1	1	1	1	1	

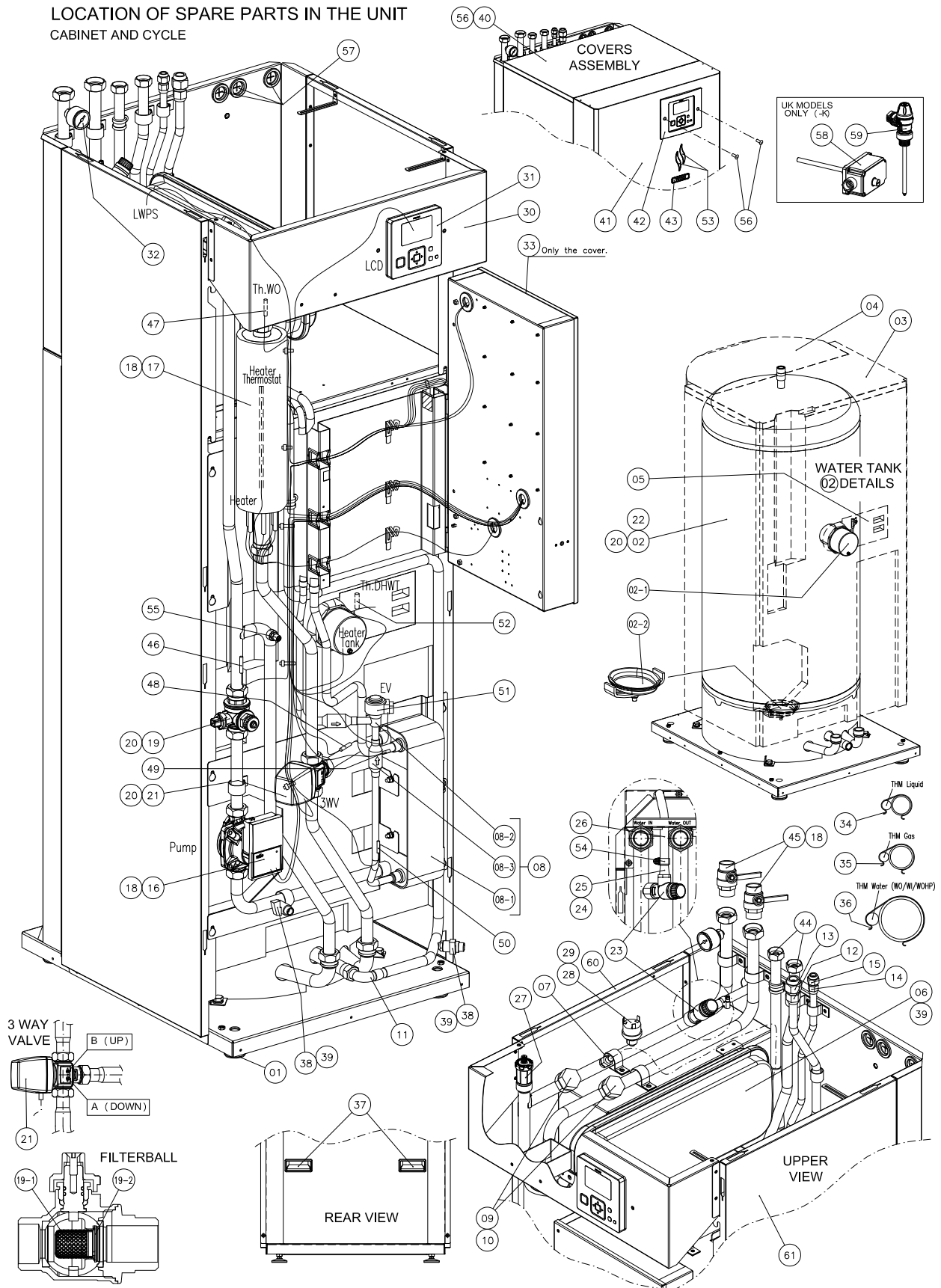
PRODUCT CODE	7E483003
	7E483203
	7E483004
	7E483204
	7E483005
	7E483205
	MODEL NAME
RWD-2.0NWE-200S,1~230V 50HZ	
RWD-2.0NWE-200S-K,1~230V 50HZ	
RWD-2.5NWE-200S,1~230V 50HZ	
RWD-2.5NWE-200S-K,1~230V 50HZ	
RWD-3.0NWE-200S,1~230V 50HZ	
RWD-3.0NWE-200S-K,1~230V 50HZ	

No.	DESCRIPTION	DWG No.	PART No.	Qty	Qty	Qty	Qty	Qty	Qty	REMARKS
18	Gasket	XEK36144 B	E03832	8	8	8	8	8	8	for Pump, E-Heater and Shutdown Valves connections.
19	Filter Ball	XEK25346 A	E04897	1	1	1	1	1	1	
19-1	Filter	XEK39398 A	E04898	1	1	1	1	1	1	
19-2	Seeger	XEK39399 A	E04899	1	1	1	1	1	1	
20	Gasket	XEK36397 A	E02528	7	7	7	7	7	7	for FilterBall, 3-Way Valve and Tank Coil connections.
21	3 Way Valve	XEK37272 A	E03271	1	1	1	1	1	1	
22	Gasket	XEK36397 C	E04052	2	2	2	2	2	2	for Tank Water In/Out connections.
23	Security Valve	XEK37800 A	E02475	1	1	1	1	1	1	
24	Gasket	XEK36144 D	E04873	1	1	1	1	1	1	for Union to Security Valve connection.
25	Union	XEK36303 A	E02507	1	1	1	1	1	1	
26	Drain Pipe	XEK36103 A	E02546	1	1	1	1	1	1	
27	Air Purge	XEK38252 A	E04040	1	1	1	1	1	1	
28	Pressure Switch	XEK37744 A	E02494	1	1	1	1	1	1	
29	Gasket	XEK39368 A	E05017	1	1	1	1	1	1	for Pressure Switch connection.
30	Lcd Support	XEK25513 A	E05006	1	1	1	1	1	1	
31	Remote Controller Assy	XEK39322 A	E04960	1	1	1	1	1	1	
32	Manometer	XEK39269 A	E05014	1	1	1	1	1	1	
33	E-Box Cover Assy	XEK39518 A	E05021	1	1	1	1	1	1	Plate + Labels
34	P-Spring	17G27651 B	E02549	1	1	1	1	1	1	
35	P-Spring	17G27651 C	E02550	1	1	1	1	1	1	
36	P-Spring	17G31457 D	E01193	3	3	3	3	3	3	
37	Handle	X17C71740 A	E01897	2	2	2	2	2	2	
38	Mini Valve	XEK38297 A	E04069	2	2	2	2	2	2	
39	Gasket	XEK36144 A	E02497	3	3	3	3	3	3	for Mini Valves and Vessel connections.
40	Upper Cover	XEK25533 A	E05013	1	1	1	1	1	1	
41	Service Cover Assy	XEK25531 A	E05012	1	1	1	1	1	1	Assembly.
42	Lcd Frame	XEK12635 A	E04955	1	1	1	1	1	1	
43	Yutaki Label	XEK39388 A	E04944	1	1	1	1	1	1	
44	Gasket	XEK36144 E	E04954	2	2	2	2	2	2	for DHWT In/Out connections.
45	Shutdown Valve	XEK39401 A	E05019	2	2	2	2	2	2	

PRODUCT CODE		MODEL NAME	
7E483003	RWD-2.0NWE-200S,1~ 230V 50Hz	7E483203	RWD-2.0NWE-200S-K,1~ 230V 50Hz
7E483004	RWD-2.5NWE-200S,1~ 230V 50Hz	7E483204	RWD-2.5NWE-200S-K,1~ 230V 50Hz
7E483005	RWD-3.0NWE-200S,1~ 230V 50Hz	7E483205	RWD-3.0NWE-200S-K,1~ 230V 50Hz

No.	DESCRIPTION	DWG No.	PART No.	Qty	Qty	Qty	Qty	Qty	Qty	REMARKS
46	Thermistor Assy 1	XEK25380 A	E04928	1	1	1	1	1	1	Water In THM.
47	Thermistor Assy 1	XEK25380 B	E04980	1	1	1	1	1	1	Water Out THM.
48	Thermistor Assy 1	XEK25380 C	E04981	1	1	1	1	1	1	Water Out PHEX THM.
49	Thermistor Assy 2	XEK25381 A	E04982	1	1	1	1	1	1	Gas THM.
50	Thermistor Assy 2	XEK25381 B	E04983	1	1	1	1	1	1	Liquid THM.
51	Exp. Valve Coil	X17F04390 H	E04965	1	1	1	1	1	1	
52	Thermistor DHWT	XEK39459 A	E05020	1	1	1	1	1	1	Tank surface.
53	Flame Label	XEK39743 A	E04945	2	2	2	2	2	2	
54	Clamp	XEK39789 A	E05026	1	1	1	1	1	1	
55	Manual Air Purge	XEK39863 A	E05027	1	1	1	1	1	1	
56	Screw	XEK40091 A	E02501	4	4	4	4	4	4	
57	Rubber Bush	XEK32468 A	E02060	3	3	3	3	3	3	
58	Thermostat	XEK39672 A	E05025		1		1		1	
59	Pres. and Temp. Valve	XEK39270 A	E05015		1		1		1	
60	Side Cover L	XEK12614 A	E05058	1	1	1	1	1	1	
61	Side Cover R	XEK12615 A	E05059	1	1	1	1	1	1	

LOCATION OF SPARE PARTS IN THE UNIT
CABINET AND CYCLE



PRODUCT CODE	7E483007
	7E483207
	7E483008
	7E483208
	7E483009
	7E483209
MODEL NAME	RWD-4.0NWE-200S,1~ 230V 50Hz
	RWD-4.0NWE-200S-K,1~ 230V 50Hz
	RWD-5.0NWE-200S,1~ 230V 50Hz
	RWD-5.0NWE-200S-K,1~ 230V 50Hz
	RWD-6.0NWE-200S,1~ 230V 50Hz
	RWD-6.0NWE-200S-K,1~ 230V 50Hz

No.	DESCRIPTION	DWG No.	PART No.	Qty	Qty	Qty	Qty	Qty	Qty	REMARKS
1	Foot	XEK38993 A	E04869	4	4	4	4	4	4	
2	Water Tank 200L SC	XEK01468 A	E04966	1		1		1		
2	Water Tank 200L UK	XEK01473 A	E04969		1		1		1	
2-1	Tank Heater	XEK38403 A	E04088	1	1	1	1	1	1	
2-2	Bottom tank flange	XEK39955 A	E04768	1	1	1	1	1	1	
3	Front Insulation	XEK12322 B	E04084	1	1	1	1	1	1	
4	Back Insulation	XEK12321 B	E04085	1	1	1	1	1	1	
5	Th Insulation	XEK24863 A	E04068	1		1		1		
5	Square Insulation	XEK39997 A	E05028		1		1		1	
6	Expansion Vessel (6 L)	XEK25338 A	E04893	1	1	1	1	1	1	
7	Flexible Pipe	XEK24724 G	E04048	1	1	1	1	1	1	for Vessel connection.
8	Phex Unit	XEK25518 A	E05010	1	1					Assembly.
8	Phex Unit	XEK25518 B	E05011			1	1	1	1	Assembly.
8-1	Plate Hex	XEK25377 A	E04836	1	1					
8-1	Plate Hex	XEK25377 B	E04835			1	1	1	1	
8-2	Expansion Valve	X17F04392 A	E03077	1	1					
8-2	Expansion Valve	X17F04393 A	E03078			1	1	1	1	
8-3	Strainer	17G62700 A	P25041	2	2	2	2	2	2	
9	Seal Nut	XEK37280 A	E04868	2	2	2	2	2	2	
10	Seal Gasket	XEK37498 B	E04871	2	2	2	2	2	2	for Seal Nut connection.
11	Union	XEK38176 A	E04073	1	1	1	1	1	1	
12	Union	27JR1717	E02488	1	1	1	1	1	1	Gas connection.
13	Flare Nut	25JR1700	E02490	1	1	1	1	1	1	Gas connection.
14	Union	27JR0913	E02487	1	1	1	1	1	1	Liquid connection.
15	Flare Nut	25JR0900	E02489	1	1	1	1	1	1	Liquid connection.
16	Pump	XEK25343 A	E04837	1	1	1	1	1	1	
17	E-Heater Unit	XEK39559 B	E05024	1	1	1	1	1	1	
18	Gasket	XEK35682 A	E02496	2	2	2	2	2	2	for Electric Heater connections.
19	Gasket	XEK36144 B	E03832	2	2	2	2	2	2	for Pump connections.
20	Filter Ball	XEK25347 A	E04840	1	1	1	1	1	1	

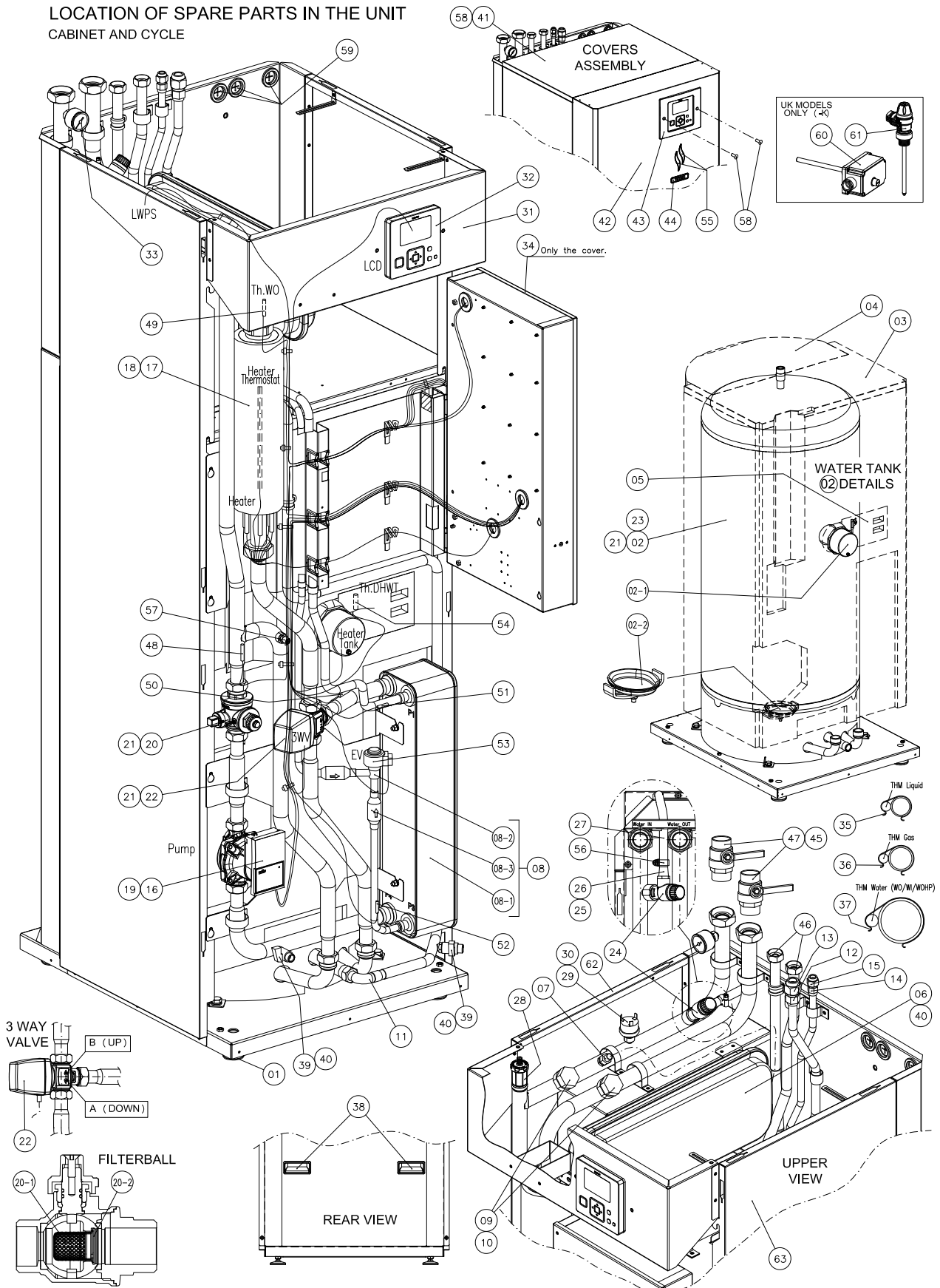
PRODUCT CODE	7E483007
	7E483207
	7E483008
	7E483208
	7E483009
	7E483209
	MODEL NAME
RWD-4.0NWE-200S, 1~ 230V 50Hz	
RWD-4.0NWE-200S-K, 1~ 230V 50Hz	
RWD-5.0NWE-200S, 1~ 230V 50Hz	
RWD-5.0NWE-200S-K, 1~ 230V 50Hz	
RWD-6.0NWE-200S, 1~ 230V 50Hz	
RWD-6.0NWE-200S-K, 1~ 230V 50Hz	

No.	DESCRIPTION	DWG No.	PART No.	Qty	Qty	Qty	Qty	Qty	Qty	REMARKS
20-1	Filter	XEK39398 B	E04841	1	1	1	1	1	1	
20-2	Seeger	XEK39399 B	E04842	1	1	1	1	1	1	
21	Gasket	XEK36397 A	E02528	7	7	7	7	7	7	for FilterBall, 3-Way Valve and Tank Coil connections.
22	3 Way Valve	XEK37272 A	E03271	1	1	1	1	1	1	
23	Gasket	XEK36397 C	E04052	2	2	2	2	2	2	for Tank Water In/Out connections.
24	Security Valve	XEK37800 A	E02475	1	1	1	1	1	1	
25	Gasket	XEK36144 D	E04873	1	1	1	1	1	1	for Union to Security Valve connection.
26	Union	XEK36303 A	E02507	1	1	1	1	1	1	
27	Drain Pipe	XEK36103 A	E02546	1	1	1	1	1	1	
28	Air Purge	XEK38252 A	E04040	1	1	1	1	1	1	
29	Pressure Switch	XEK37744 A	E02494	1	1	1	1	1	1	
30	Gasket	XEK39368 A	E05017	1	1	1	1	1	1	for Pressure Switch connection.
31	Lcd Support	XEK25513 A	E05006	1	1	1	1	1	1	
32	Remote Controller Assy	XEK39322 A	E04960	1	1	1	1	1	1	
33	Manometer	XEK39269 A	E05014	1	1	1	1	1	1	
34	E-Box Cover Assy	XEK39518 A	E05021	1	1	1	1	1	1	Plate + Labels
35	P-Spring	17G27651 B	E02549	1	1	1	1	1	1	
36	P-Spring	17G27651 C	E02550	1	1	1	1	1	1	
37	P-Spring	XEK36252 A	E02551	6	6	6	6	6	6	
38	Handle	X17C71740 A	E01897	2	2	2	2	2	2	
39	Mini Valve	XEK38297 A	E04069	2	2	2	2	2	2	
40	Gasket	XEK36144 A	E02497	3	3	3	3	3	3	for Mini Valves and Vessel connections.
41	Upper Cover	XEK25533 A	E05013	1	1	1	1	1	1	
42	Service Cover Assy	XEK25531 A	E05012	1	1	1	1	1	1	Assembly.
43	Lcd Frame	XEK12635 A	E04955	1	1	1	1	1	1	
44	Yutaki Label	XEK39388 A	E04944	1	1	1	1	1	1	
45	Gasket	XEK36144 C	E04824	4	4	4	4	4	4	for Shutdown Valves connections.
46	Gasket	XEK36144 E	E04954	2	2	2	2	2	2	for DHWT In/Out connections.
47	Shutdown Valve	XEK39401 B	E04846	2	2	2	2	2	2	

PRODUCT CODE	7E483007	MODEL NAME	RWD-4.0NWE-200S,1~ 230V 50Hz
	7E483207		RWD-4.0NWE-200S-K,1~ 230V 50Hz
	7E483008		RWD-5.0NWE-200S,1~ 230V 50Hz
	7E483208		RWD-5.0NWE-200S-K,1~ 230V 50Hz
	7E483009		RWD-6.0NWE-200S,1~ 230V 50Hz
	7E483209		RWD-6.0NWE-200S-K,1~ 230V 50Hz

No.	DESCRIPTION	DWG No.	PART No.	Qty	Qty	Qty	Qty	Qty	Qty	REMARKS
48	Thermistor Assy 1	XEK25380 A	E04928	1	1	1	1	1	1	Water In THM.
49	Thermistor Assy 1	XEK25380 B	E04980	1	1	1	1	1	1	Water Out THM.
50	Thermistor Assy 1	XEK25380 C	E04981	1	1	1	1	1	1	Water Out PHEX THM.
51	Thermistor Assy 2	XEK25381 A	E04982	1	1	1	1	1	1	Gas THM.
52	Thermistor Assy 2	XEK25381 B	E04983	1	1	1	1	1	1	Liquid THM.
53	Exp. Valve Coil	X17F04390 H	E04965	1	1	1	1	1	1	
54	Thermistor DHWT	XEK39459 A	E05020	1	1	1	1	1	1	Tank surface.
55	Flame Label	XEK39743 A	E04945	2	2	2	2	2	2	
56	Clamp	XEK39789 A	E05026	1	1	1	1	1	1	
57	Manual Air Purge	XEK39863 A	E05027	1	1	1	1	1	1	
58	Screw	XEK40091 A	E02501	4	4	4	4	4	4	
59	Rubber Bush	XEK32468 A	E02060	3	3	3	3	3	3	
60	Thermostat	XEK39672 A	E05025		1		1		1	
61	Pres. and Temp. Valve	XEK39270 A	E05015		1		1		1	
62	Side Cover L	XEK12614 A	E05058	1	1	1	1	1	1	
63	Side Cover R	XEK12615 A	E05059	1	1	1	1	1	1	

LOCATION OF SPARE PARTS IN THE UNIT
CABINET AND CYCLE



PRODUCT CODE	7E483016
	7E483216
	7E483316
	7E483017
	7E483217
	7E483317
	7E483018
	7E483218
	7E483318
MODEL NAME	RWD-2.0NWE-260S,1~ 230V 50Hz
	RWD-2.0NWE-260S-K,1~ 230V 50Hz
	RWD-2.0NWSE-260S,1~ 230V 50Hz
	RWD-2.5NWE-260S,1~ 230V 50Hz
	RWD-2.5NWE-260S-K,1~ 230V 50Hz
	RWD-2.5NWSE-260S,1~ 230V 50Hz
	RWD-3.0NWE-260S,1~ 230V 50Hz
	RWD-3.0NWE-260S-K,1~ 230V 50Hz
	RWD-3.0NWSE-260S,1~ 230V 50Hz

No.	DESCRIPTION	DWG No.	PART No.	Qty	Qty	Qty	Qty	Qty	Qty	Qty	Qty	Qty	REMARKS
1	Foot	XEK38993 A	E04869	4	4	4	4	4	4	4	4	4	
2	Water Tank 260L SC	XEK01469 A	E04967	1			1			1			
2	Water Tank 260L solar	XEK01472 A	E04968			1				1			
2	Water Tank 260L UK	XEK01474 A	E04970		1			1			1		
2-1	Tank Heater	XEK38403 A	E04088	1	1	1	1	1	1	1	1	1	
2-2	Bottom tank flange	XEK39955 A	E04768	1	1	1	1	1	1	1	1	1	
3	Front Insulation	XEK12322 A	E04066	1	1	1	1	1	1	1	1	1	
4	Back Insulation	XEK12321 A	E04067	1	1	1	1	1	1	1	1	1	
5	Th Insulation	XEK24863 A	E04068	1		1	1		1	1		1	
5	Square Insulation	XEK39997 A	E05028		1			1			1		
6	Expansion Vessel (6 L)	XEK25338 A	E04893	1	1	1	1	1	1	1	1	1	
7	Flexible Pipe	XEK24724 G	E04048	1	1	1	1	1	1	1	1	1	for Vessel connection.
8	Phex Unit	XEK25517 A	E05007	1	1	1							Assembly.
8	Phex Unit	XEK25517 B	E05008				1	1	1				Assembly.
8	Phex Unit	XEK25517 C	E05009							1	1	1	Assembly.
8-1	Plate Hex	XEK25315 A	E04974	1	1	1							
8-1	Plate Hex	XEK25315 B	E04975				1	1	1				
8-1	Plate Hex	XEK25315 C	E04896							1	1	1	
8-2	Expansion Valve	X17F04391 A	E03076	1	1	1							
8-2	Expansion Valve	X17F04392 A	E03077				1	1	1	1	1	1	
8-3	Strainer	17G62700 A	P25041	2	2	2	2	2	2	2	2	2	
9	Union	XEK38176 A	E04073	2	2	2	2	2	2	2	2	2	
10	Union	27JR1717	E02488	1	1	1	1	1	1	1	1	1	Gas connection.
11	Flare Nut	25JR1700	E02490	1	1	1	1	1	1	1	1	1	Gas connection.
12	Union	27JR0609	E02935	1	1	1							Liquid connection.
12	Union	27JR0913	E02487				1	1	1	1	1	1	Liquid connection.
13	Flare Nut	25JR0600	E02936	1	1	1							Liquid connection.
13	Flare Nut	25JR0900	E02489				1	1	1	1	1	1	Liquid connection.
14	Pump	XEK25342 A	E04894	1	1	1	1	1	1	1	1	1	
15	E-Heater Unit	XEK39559 A	E05023	1	1	1	1	1	1	1	1	1	
16	Gasket	XEK36144 B	E03832	8	8	8	8	8	8	8	8	8	for Pump, E-Heater and Shutdown Valves connections.

PRODUCT CODE	7E483016
	7E483216
	7E483316
	7E483017
	7E483217
	7E483317
	7E483018
	7E483218
	7E483318
MODEL NAME	RWD-2.0NWE-260S,1~230V 50HZ
	RWD-2.0NWE-260S-K,1~230V 50HZ
	RWD-2.0NWSE-260S,1~230V 50HZ
	RWD-2.5NWE-260S,1~230V 50HZ
	RWD-2.5NWE-260S-K,1~230V 50HZ
	RWD-2.5NWSE-260S,1~230V 50HZ
	RWD-3.0NWE-260S,1~230V 50HZ
	RWD-3.0NWE-260S-K,1~230V 50HZ
	RWD-3.0NWSE-260S,1~230V 50HZ

No.	DESCRIPTION	DWG No.	PART No.	Qty	Qty	Qty	Qty	Qty	Qty	Qty	Qty	Qty	REMARKS
17	Filter Ball	XEK25346 A	E04897	1	1	1	1	1	1	1	1	1	
17-1	Filter	XEK39398 A	E04898	1	1	1	1	1	1	1	1	1	
17-2	Seeger	XEK39399 A	E04899	1	1	1	1	1	1	1	1	1	
18	Gasket	XEK36397 A	E02528	7	7	7	7	7	7	7	7	7	for FilterBall, 3-Way Valve and Tank Coil connections.
19	3 Way Valve	XEK37272 A	E03271	1	1	1	1	1	1	1	1	1	
20	Gasket	XEK36397 C	E04052	2	2	2	2	2	2	2	2	2	for Tank Water In/Out connections.
21	Security Valve	XEK37800 A	E02475	1	1	1	1	1	1	1	1	1	
22	Gasket	XEK36144 D	E04873	1	1	1	1	1	1	1	1	1	for Union to Security Valve connection.
23	Union	XEK36303 A	E02507	1	1	1	1	1	1	1	1	1	
24	Drain Pipe	XEK36103 A	E02546	1	1	1	1	1	1	1	1	1	
25	Air Purge	XEK38252 A	E04040	1	1	1	1	1	1	1	1	1	
26	Pressure Switch	XEK37744 A	E02494	1	1	1	1	1	1	1	1	1	
27	Gasket	XEK39368 A	E05017	1	1	1	1	1	1	1	1	1	for Pressure Switch connection.
28	Lcd Support	XEK25513 A	E05006	1	1	1	1	1	1	1	1	1	
29	Remote Controller Assy	XEK39322 A	E04960	1	1	1	1	1	1	1	1	1	
30	Manometer	XEK39269 A	E05014	1	1	1	1	1	1	1	1	1	
31	E-Box Cover Assy	XEK39518 A	E05021	1	1	1	1	1	1	1	1	1	Plate + Labels
32	P-Spring	17G27651 B	E02549	1	1	1	1	1	1	1	1	1	
33	P-Spring	17G27651 C	E02550	1	1	1	1	1	1	1	1	1	
34	P-Spring	17G31457 D	E01193	3	3	3	3	3	3	3	3	3	
35	Handle	X17C71740 A	E01897	2	2	2	2	2	2	2	2	2	
36	Mini Valve	XEK38297 A	E04069	2	2	2	2	2	2	2	2	2	
37	Gasket	XEK36144 A	E02497	3	3	3	3	3	3	3	3	3	for Mini Valves and Vessel connections.
38	Upper Cover	XEK25533 A	E05013	1	1	1	1	1	1	1	1	1	
39	Service Cover Assy	XEK25531 A	E05012	1	1	1	1	1	1	1	1	1	Assembly.
40	Lcd Frame	XEK12635 A	E04955	1	1	1	1	1	1	1	1	1	
41	Yutaki Label	XEK39388 A	E04944	1	1	1	1	1	1	1	1	1	
42	Gasket	XEK36144 E	E04954	2	2	2	2	2	2	2	2	2	for DHWT In/Out connections.
43	Shutdown Valve	XEK39401 A	E05019	2	2	2	2	2	2	2	2	2	
44	Thermistor Assy 1	XEK25380 A	E04928	1	1	1	1	1	1	1	1	1	Water In THM.

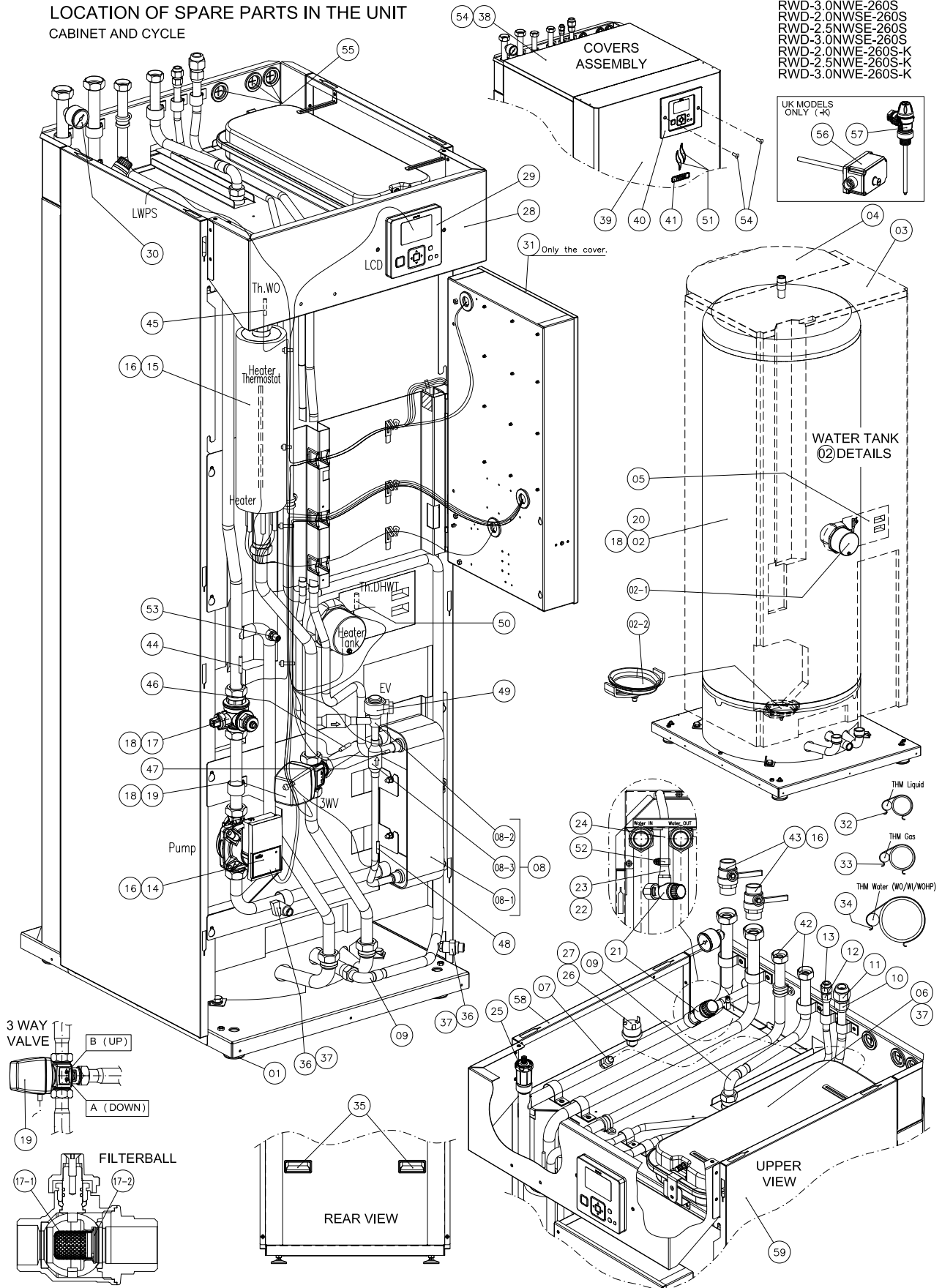
PRODUCT CODE	MODEL NAME
7E483216	RWD-2.0NWE-260S-K,1~230V 50Hz
7E483316	RWD-2.0NWSE-260S,1~230V 50Hz
7E483017	RWD-2.5NWE-260S,1~230V 50Hz
7E483217	RWD-2.5NWE-260S-K,1~230V 50Hz
7E483317	RWD-2.5NWSE-260S,1~230V 50Hz
7E483018	RWD-3.0NWE-260S,1~230V 50Hz
7E483218	RWD-3.0NWE-260S-K,1~230V 50Hz
7E483318	RWD-3.0NWSE-260S,1~230V 50Hz

No.	DESCRIPTION	DWG No.	PART No.	Qty	Qty	Qty	Qty	Qty	Qty	Qty	Qty	Qty	REMARKS
45	Thermistor Assy 1	XEK25380 B	E04980	1	1	1	1	1	1	1	1	1	Water Out THM.
46	Thermistor Assy 1	XEK25380 C	E04981	1	1	1	1	1	1	1	1	1	Water Out PHEX THM.
47	Thermistor Assy 2	XEK25381 A	E04982	1	1	1	1	1	1	1	1	1	Gas THM.
48	Thermistor Assy 2	XEK25381 B	E04983	1	1	1	1	1	1	1	1	1	Liquid THM.
49	Exp. Valve Coil	X17F04390 H	E04965	1	1	1	1	1	1	1	1	1	
50	Thermistor DHWT	XEK39459 A	E05020	1	1	1	1	1	1	1	1	1	Tank surface.
51	Flame Label	XEK39743 A	E04945	2	2	2	2	2	2	2	2	2	
52	Clamp	XEK39789 A	E05026	1	1	1	1	1	1	1	1	1	
53	Manual Air Purge	XEK39863 A	E05027	1	1	1	1	1	1	1	1	1	
54	Screw	XEK40091 A	E02501	4	4	4	4	4	4	4	4	4	
55	Rubber Bush	XEK32468 A	E02060	3	3	3	3	3	3	3	3	3	
56	Thermostat	XEK39672 A	E05025		1			1			1		
57	Pres. and Temp. Valve	XEK39270 A	E05015		1			1			1		
58	Side Cover L	XEK12614 A	E05058	1	1	1	1	1	1	1	1	1	
59	Side Cover R	XEK12615 A	E05059	1	1	1	1	1	1	1	1	1	

LOCATION OF SPARE PARTS IN THE UNIT
CABINET AND CYCLE

RWD-2.0NWE-260S
RWD-2.5NWE-260S
RWD-3.0NWE-260S
RWD-2.0NWE-260S-K
RWD-2.5NWE-260S-K
RWD-3.0NWE-260S-K

UK MODELS ONLY (-40)
56 57



MODEL NAME	PRODUCT CODE
RWD-4.0NWE-260S,1~ 230V 50Hz	7E483020
RWD-4.0NWE-260S-K,1~ 230V 50Hz	7E483220
RWD-4.0NWSE-260S,1~ 230V 50Hz	7E483320
RWD-5.0NWE-260S,1~ 230V 50Hz	7E483021
RWD-5.0NWE-260S-K,1~ 230V 50Hz	7E483221
RWD-5.0NWSE-260S,1~ 230V 50Hz	7E483321
RWD-6.0NWE-260S,1~ 230V 50Hz	7E483022
RWD-6.0NWE-260S-K,1~ 230V 50Hz	7E483222
RWD-6.0NWSE-260S,1~ 230V 50Hz	7E483322

No.	DESCRIPTION	DWG No.	PART No.	Qty	Qty	Qty	Qty	Qty	Qty	Qty	Qty	Qty	REMARKS
1	Foot	XEK38993 A	E04869	4	4	4	4	4	4	4	4	4	
2	Water Tank 260L SC	XEK01469 A	E04967	1			1			1			
2	Water Tank 260L solar	XEK01472 A	E04968			1				1			1
2	Water Tank 260L UK	XEK01474 A	E04970		1			1				1	
2-1	Tank Heater	XEK38403 A	E04088	1	1	1	1	1	1	1	1	1	1
2-2	Bottom tank flange	XEK39955 A	E04768	1	1	1	1	1	1	1	1	1	1
3	Front Insulation	XEK12322 A	E04066	1	1	1	1	1	1	1	1	1	1
4	Back Insulation	XEK12321 A	E04067	1	1	1	1	1	1	1	1	1	1
5	Th Insulation	XEK24863 A	E04068	1		1	1			1	1		1
5	Square Insulation	XEK39997 A	E05028		1			1				1	
6	Expansion Vessel (6 L)	XEK25338 A	E04893	1	1	1	1	1	1	1	1	1	1
7	Flexible Pipe	XEK24724 G	E04048	1	1	1	1	1	1	1	1	1	for Vessel connection.
8	Phex Unit	XEK25518 A	E05010	1	1	1							Assembly.
8	Phex Unit	XEK25518 B	E05011				1	1	1	1	1	1	Assembly.
8-1	Plate Hex	XEK25377 A	E04836	1	1	1							
8-1	Plate Hex	XEK25377 B	E04835				1	1	1	1	1	1	
8-2	Expansion Valve	X17F04392 A	E03077	1	1	1							
8-2	Expansion Valve	X17F04393 A	E03078				1	1	1	1	1	1	
8-3	Strainer	17G62700 A	P25041	2	2	2	2	2	2	2	2	2	
9	Union	XEK38176 A	E04073	2	2	2	2	2	2	2	2	2	
10	Union	27JR1717	E02488	1	1	1	1	1	1	1	1	1	Gas connection.
11	Flare Nut	25JR1700	E02490	1	1	1	1	1	1	1	1	1	Gas connection.
12	Union	27JR0913	E02487	1	1	1	1	1	1	1	1	1	Liquid connection.
13	Flare Nut	25JR0900	E02489	1	1	1	1	1	1	1	1	1	Liquid connection.
14	Pump	XEK25343 A	E04837	1	1	1	1	1	1	1	1	1	
15	E-Heater Unit	XEK39559 B	E05024	1	1	1	1	1	1	1	1	1	
16	Gasket	XEK35682 A	E02496	2	2	2	2	2	2	2	2	2	for Electric Heater connections.
17	Gasket	XEK36144 B	E03832	2	2	2	2	2	2	2	2	2	for Pump connections.
18	Filter Ball	XEK25347 A	E04840	1	1	1	1	1	1	1	1	1	
18-1	Filter	XEK39398 B	E04841	1	1	1	1	1	1	1	1	1	

No.	DESCRIPTION	DWG No.	PART No.	MODEL NAME										REMARKS
				RWD-4.0NWE-260S,1~230V 50Hz	RWD-4.0NWE-260S-K,1~230V 50Hz	RWD-4.0NWSE-260S,1~230V 50Hz	RWD-5.0NWE-260S,1~230V 50Hz	RWD-5.0NWE-260S-K,1~230V 50Hz	RWD-5.0NWSE-260S,1~230V 50Hz	RWD-6.0NWE-260S,1~230V 50Hz	RWD-6.0NWE-260S-K,1~230V 50Hz	RWD-6.0NWSE-260S,1~230V 50Hz		
				PRODUCT CODE										
				7E483020	7E483220	7E483320	7E483021	7E483221	7E483321	7E483022	7E483222	7E483322		
18-2	Seeger	XEK39399 B	E04842	1	1	1	1	1	1	1	1	1		
19	Gasket	XEK36397 A	E02528	7	7	7	7	7	7	7	7	7	for FilterBall, 3-Way Valve and Tank Coil connections.	
20	3 Way Valve	XEK37272 A	E03271	1	1	1	1	1	1	1	1	1		
21	Gasket	XEK36397 C	E04052	2	2	2	2	2	2	2	2	2	for Tank Water In/Out connections.	
22	Security Valve	XEK37800 A	E02475	1	1	1	1	1	1	1	1	1		
23	Gasket	XEK36144 D	E04873	1	1	1	1	1	1	1	1	1	for Union to Security Valve connection.	
24	Union	XEK36303 A	E02507	1	1	1	1	1	1	1	1	1		
25	Drain Pipe	XEK36103 A	E02546	1	1	1	1	1	1	1	1	1		
26	Air Purge	XEK38252 A	E04040	1	1	1	1	1	1	1	1	1		
27	Pressure Switch	XEK37744 A	E02494	1	1	1	1	1	1	1	1	1		
28	Gasket	XEK39368 A	E05017	1	1	1	1	1	1	1	1	1	for Pressure Switch connection.	
29	Lcd Support	XEK25513 A	E05006	1	1	1	1	1	1	1	1	1		
30	Remote Controller Assy	XEK39322 A	E04960	1	1	1	1	1	1	1	1	1		
31	Manometer	XEK39269 A	E05014	1	1	1	1	1	1	1	1	1		
32	E-Box Cover Assy	XEK39518 A	E05021	1	1	1	1	1	1	1	1	1	Plate + Labels	
33	P-Spring	17G27651 B	E02549	1	1	1	1	1	1	1	1	1		
34	P-Spring	17G27651 C	E02550	1	1	1	1	1	1	1	1	1		
35	P-Spring	XEK36252 A	E02551	6	6	6	6	6	6	6	6	6		
36	Handle	X17C71740 A	E01897	2	2	2	2	2	2	2	2	2		
37	Mini Valve	XEK38297 A	E04069	2	2	2	2	2	2	2	2	2		
38	Gasket	XEK36144 A	E02497	3	3	3	3	3	3	3	3	3	for Mini Valves and Vessel connections.	
39	Upper Cover	XEK25533 A	E05013	1	1	1	1	1	1	1	1	1		
40	Service Cover Assy	XEK25531 A	E05012	1	1	1	1	1	1	1	1	1	Assembly.	
41	Lcd Frame	XEK12635 A	E04955	1	1	1	1	1	1	1	1	1		
42	Yutaki Label	XEK39388 A	E04944	1	1	1	1	1	1	1	1	1		
43	Gasket	XEK36144 C	E04824	4	4	4	4	4	4	4	4	4	for Shutdown Valves connections.	
44	Gasket	XEK36144 E	E04954	2	2	2	2	2	2	2	2	2	for DHWT In/Out connections.	
45	Shutdown Valve	XEK39401 B	E04846	2	2	2	2	2	2	2	2	2		
46	Thermistor Assy 1	XEK25380 A	E04928	1	1	1	1	1	1	1	1	1	Water In THM.	

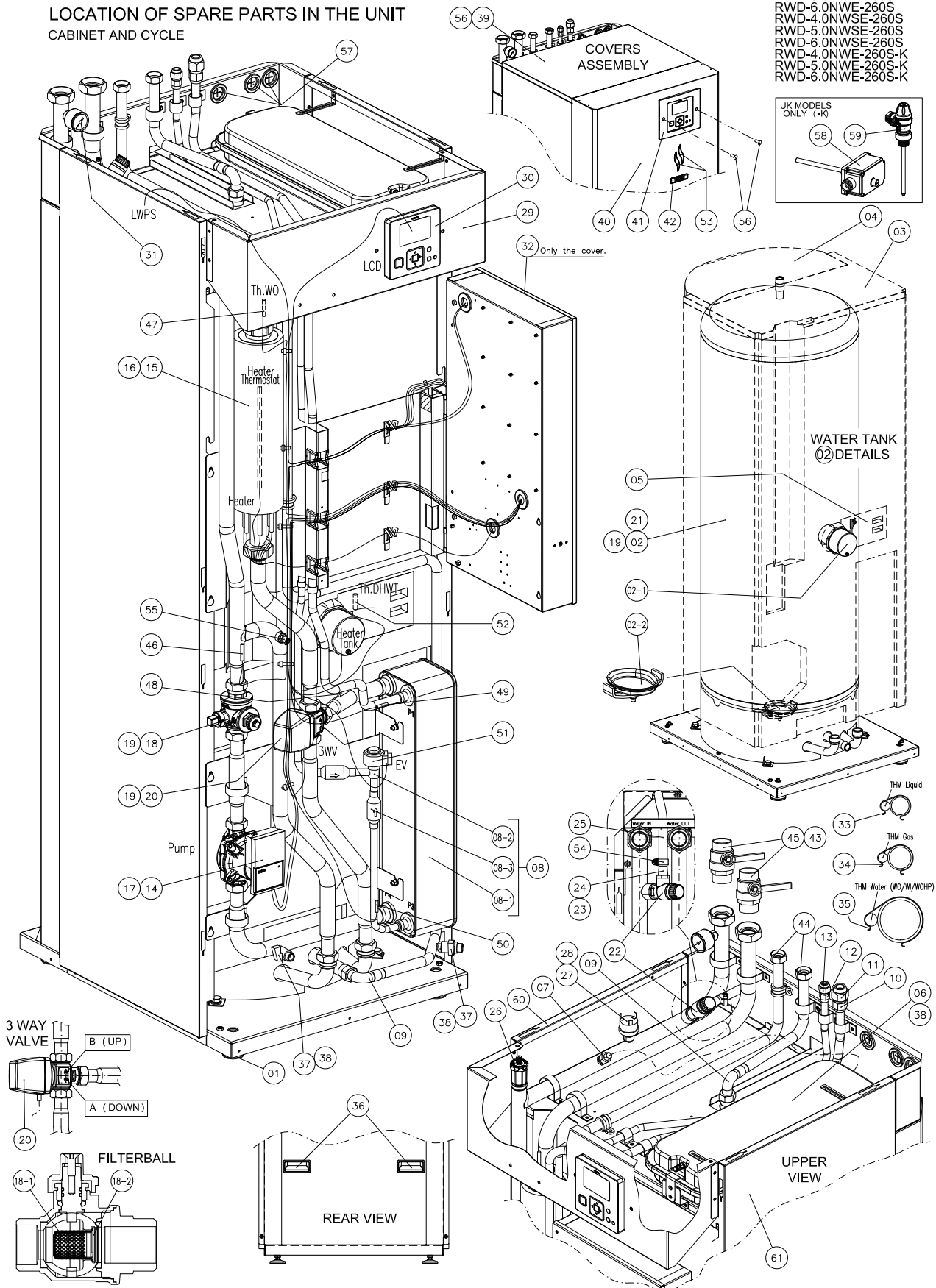
PRODUCT CODE	MODEL NAME
7E483220	RWD-4.0NWE-260S-K,1~230V 50HZ
7E483320	RWD-4.0NWSE-260S,1~230V 50HZ
7E483021	RWD-5.0NWE-260S,1~230V 50HZ
7E483221	RWD-5.0NWE-260S-K,1~230V 50HZ
7E483321	RWD-5.0NWSE-260S,1~230V 50HZ
7E483022	RWD-6.0NWE-260S,1~230V 50HZ
7E483222	RWD-6.0NWE-260S-K,1~230V 50HZ
7E483322	RWD-6.0NWSE-260S,1~230V 50HZ

No.	DESCRIPTION	DWG No.	PART No.	Qty	Qty	Qty	Qty	Qty	Qty	Qty	Qty	Qty	REMARKS
47	Thermistor Assy 1	XEK25380 B	E04980	1	1	1	1	1	1	1	1	1	Water Out THM.
48	Thermistor Assy 1	XEK25380 C	E04981	1	1	1	1	1	1	1	1	1	Water Out PHEX THM.
49	Thermistor Assy 2	XEK25381 A	E04982	1	1	1	1	1	1	1	1	1	Gas THM.
50	Thermistor Assy 2	XEK25381 B	E04983	1	1	1	1	1	1	1	1	1	Liquid THM.
51	Exp. Valve Coil	X17F04390 H	E04965	1	1	1	1	1	1	1	1	1	
52	Thermistor DHWT	XEK39459 A	E05020	1	1	1	1	1	1	1	1	1	Tank surface.
53	Flame Label	XEK39743 A	E04945	2	2	2	2	2	2	2	2	2	
54	Clamp	XEK39789 A	E05026	1	1	1	1	1	1	1	1	1	
55	Manual Air Purge	XEK39863 A	E05027	1	1	1	1	1	1	1	1	1	
56	Screw	XEK40091 A	E02501	4	4	4	4	4	4	4	4	4	
57	Rubber Bush	XEK32468 A	E02060	3	3	3	3	3	3	3	3	3	
58	Thermostat	XEK39672 A	E05025		1			1				1	
59	Pres. and Temp. Valve	XEK39270 A	E05015		1			1				1	
60	Side Cover L	XEK12614 A	E05058	1	1	1	1	1	1	1	1	1	
61	Side Cover R	XEK12615 A	E05059	1	1	1	1	1	1	1	1	1	

LOCATION OF SPARE PARTS IN THE UNIT
CABINET AND CYCLE

RWD-4.0NWE-260S
RWD-5.0NWE-260S
RWD-6.0NWE-260S
RWD-4.0NWSE-260S
RWD-5.0NWSE-260S
RWD-6.0NWSE-260S
RWD-4.0NWE-260S-K
RWD-5.0NWE-260S-K
RWD-6.0NWE-260S-K

UK MODELS ONLY (-K)
58 59
04 03



MODEL NAME	PRODUCT CODE
RWD-2.0NWE-200S, 1~ 230V 50Hz	7E483003
RWD-2.0NWE-200S-K, 1~ 230V 50Hz	7E483203
RWD-2.5NWE-200S, 1~ 230V 50Hz	7E483004
RWD-2.5NWE-200S-K, 1~ 230V 50Hz	7E483204
RWD-3.0NWE-200S, 1~ 230V 50Hz	7E483005
RWD-3.0NWE-200S-K, 1~ 230V 50Hz	7E483205
RWD-4.0NWE-200S, 1~ 230V 50Hz	7E483007
RWD-4.0NWE-200S-K, 1~ 230V 50Hz	7E483207
RWD-5.0NWE-200S, 1~ 230V 50Hz	7E483008
RWD-5.0NWE-200S-K, 1~ 230V 50Hz	7E483208
RWD-6.0NWE-200S, 1~ 230V 50Hz	7E483009
RWD-6.0NWE-200S-K, 1~ 230V 50Hz	7E483209

No.	DESCRIPTION	DWG No.	PART No.	Qty	Qty	Qty	Qty	Qty	Qty	REMARKS
1	PCB	XEK39262 A	E04665	1	1	1	1	1	1	
2	Spacer	XEK34315 A	E01789	12	12	12	12	12	12	
3	Terminal Board	XEK34375 A	E02519	1	1	1	1	1	1	
4	Terminal Board	17P00835 O	E04778	1	1	1	1	1	1	
5	Relay	XEK39261 A	E04779	3	3	3	3	3	3	
6	Fuse	XEK39253 A	E04780	3	3	3				6,3A
7	Fuse	XEK39253 B	E04781				3	3	3	12,5A
8	Fuse	XEK39253 D	E04782	1	1	1	1	1	1	20A
9	Fuse Holder	X17C68766 A	E02516	4	4	4	4	4	4	
10	Rocker Switch	XEK37911 A	E03828	1	1	1	1	1	1	
11	Clamp	XEK31150 A	E02012	1	1	1	1	1	1	
12	Rubber Bush	XEK32468 A	E02060	9	9	9	9	9	9	
13	Thermostat	XEK39254 A	E04785	1	1	1	1	1	1	
14	Electrical Box	XEK01477 A	E04786	1	1	1				Assembly (Plate + Components + Harness)
15	Electrical Box	XEK01477 B	E04787				1	1	1	Assembly (Plate + Components + Harness)
16	E-Box SubAssy	XEK25401 A	E04791	1	1	1	1	1	1	Only plate (without components)

MODEL NAME	PRODUCT CODE
RWD-2.0NWE-260S, 1~ 230V 50Hz	7E483016
RWD-2.0NWE-260S-K, 1~ 230V 50Hz	7E483216
RWD-2.0NWE-260S, 1~ 230V 50Hz	7E483316
RWD-2.5NWE-260S, 1~ 230V 50Hz	7E483017
RWD-2.5NWE-260S-K, 1~ 230V 50Hz	7E483217
RWD-2.5NWE-260S, 1~ 230V 50Hz	7E483317
RWD-3.0NWE-260S, 1~ 230V 50Hz	7E483018
RWD-3.0NWE-260S-K, 1~ 230V 50Hz	7E483218
RWD-3.0NWE-260S, 1~ 230V 50Hz	7E483318
RWD-4.0NWE-260S, 1~ 230V 50Hz	7E483020
RWD-4.0NWE-260S-K, 1~ 230V 50Hz	7E483220
RWD-4.0NWE-260S, 1~ 230V 50Hz	7E483320
RWD-5.0NWE-260S, 1~ 230V 50Hz	7E483021
RWD-5.0NWE-260S-K, 1~ 230V 50Hz	7E483221
RWD-5.0NWE-260S, 1~ 230V 50Hz	7E483321
RWD-6.0NWE-260S, 1~ 230V 50Hz	7E483022
RWD-6.0NWE-260S-K, 1~ 230V 50Hz	7E483222
RWD-6.0NWE-260S, 1~ 230V 50Hz	7E483322

No.	DESCRIPTION	DWG No.	PART No.	Qty	Qty	Qty	Qty	Qty	Qty	REMARKS
1	PCB	XEK39262 A	E04665	1	1	1	1	1	1	
2	Spacer	XEK34315 A	E01789	12	12	12	12	12	12	
3	Terminal Board	XEK34375 A	E02519	1	1	1	1	1	1	
4	Terminal Board	17P00835 O	E04778	1	1	1	1	1	1	
5	Relay	XEK39261 A	E04779	3	3	3	3	3	3	
6	Fuse	XEK39253 A	E04780	3	3	3				6,3A
7	Fuse	XEK39253 B	E04781				3	3	3	12,5A
8	Fuse	XEK39253 D	E04782	1	1	1	1	1	1	20A
9	Fuse Holder	X17C68766 A	E04783	4	4	4	4	4	4	
10	Rocker Switch	XEK37911 A	E04784	1	1	1	1	1	1	
11	Clamp	XEK31150 A	E02012	1	1	1	1	1	1	
12	Rubber Bush	XEK32468 A	E02060	9	9	9	9	9	9	
13	Thermostat	XEK39254 A	E04785	1	1	1	1	1	1	
14	Electrical Box	XEK01477 A	E04786	1	1	1				Assembly (Components + Harness)
15	Electrical Box	XEK01477 B	E04787				1	1	1	Assembly (Components + Harness)
16	E-Box SubAssy	XEK25401 A	E04791	1	1	1	1	1	1	Only plate (without components)

- RWD-2.0NWE-200S(-K)
- RWD-2.5NWE-200S(-K)
- RWD-3.0NWE-200S(-K)
- RWD-4.0NWE-200S(-K)
- RWD-5.0NWE-200S(-K)
- RWD-6.0NWE-200S(-K)
- RWD-2.0NWE-260S(-K)
- RWD-2.5NWE-260S(-K)
- RWD-3.0NWE-260S(-K)
- RWD-4.0NWE-260S(-K)
- RWD-5.0NWE-260S(-K)
- RWD-6.0NWE-260S(-K)
- RWD-2.0NWE-260S
- RWD-2.5NWE-260S
- RWD-3.0NWE-260S
- RWD-4.0NWE-260S
- RWD-5.0NWE-260S
- RWD-6.0NWE-260S

