

No.	DESCRIPTION	DWG No.	PART No.	MODEL NAME						REMARKS						
				Qty	Qty	Qty	Qty	Qty	Qty							
				PRODUCT CODE												
				RWH-4.0VNFWE, 1 ~ 230V 50Hz	7E482007	RWH-5.0VNFWE, 1 ~ 230V 50Hz	7E482008	RWH-6.0VNFWE, 1 ~ 230V 50Hz	7E482009	RWH-4.0NFWE, 3N ~ 400V 50Hz	7E482107	RWH-5.0NFWE, 3N ~ 400V 50Hz	7E482108	RWH-6.0NFWE, 3N ~ 400V 50Hz	7E482109	
1	Upper Cover Unit	XEK39444 A	E04827	1	1	1	1	1	1	1	Insulation included					
2	Side Cover L Unit	XEK39442 A	E04963	1	1	1	1	1	1	1	Insulation included					
3	Side Cover R Unit	XEK39443 A	E04964	1	1	1	1	1	1	1	Insulation included					
4	Base	XEK25423 A	E04830	1	1	1	1	1	1	1						
5	Service Cover Assy	XEK39440 A	E04831	1	1	1	1	1	1	1						
6	Rear Cover	XEK12571 A	E04832	1	1	1	1	1	1	1						
7	Filter	XEK37440 B	E04833	1	1	1	1	1	1	1						
8	Filter Stay	XEK39408 A	E04834	1	1	1	1	1	1	1						
9	Manometer	XEK38030 A	E03800	1	1	1	1	1	1	1						
10	Compressor	17F08506 A	E03272	1	1	1										
11	Compressor	17F08507 A	E03273				1	1	1							
12	Plate HEX	XEK25377 B	E04835	1	3	3	1	3	3							
13	Plate HEX	XEK25377 A	E04836	2			2									
14	Pump	XEK25343 A	E04837	1	1	1	1	1	1	1						
15	HRN Power Pump Assy	XEK39359 A	E04838	1	1	1	1	1	1	1						
16	HRN Control Pump Assy	XEK39360 A	E04839	1	1	1	1	1	1	1						
17	SV Body	XEK37785 A	E03798	2	2	2	2	2	2	2						
18	3 Way Valve	XEK37272 A	E03271	1	1	1	1	1	1	1						
19	Filter Ball	XEK25347 A	E04840	1	1	1	1	1	1	1						
19-1	Filter	XEK39398 B	E04841	1	1	1	1	1	1	1						
19-2	Seeger	XEK39399 B	E04842	1	1	1	1	1	1	1						
20	Expansion Vessel	XEK25340 A	E04843	1	1	1	1	1	1	1						
21	P-Sensor	XEK25591 A	E04844	1	1	1	1	1	1	1	Pd					
22	P-Sensor	XEK25592 A	E04845	1	1	1	1	1	1	1	Ps					
23	HRN SV (Coil)	XEK25419 B	E04860	1	1	1	1	1	1	1						
24	HRN SV (Coil)	XEK25419 A	E04861	1	1	1	1	1	1	1						
25	Expansion Valve	X17F04393 A	E03078		1	1		1	1		1st Cycle					
25	Expansion Valve	X17F04392 A	E03077	1			1				1st Cycle					
26	Expansion Valve	17C73727 A	P24654	1	1	1	1	1	1	1	2nd Cycle					
27	PHEX Support L	XEK25430 A	E04847	1	1	1	1	1	1	1						
28	PHEX Support R	XEK25431 A	E04848	1	1	1	1	1	1	1						
29	Acoustical Cover	XEK24694 C	E03769	1	1	1	1	1	1	1						
30	Exp. Valve Coil	X17F04390 C	E03180	1	1	1	1	1	1	1						
31	EXPV Coil	X17F08045 A	E03291	1	1	1	1	1	1	1						

No.	DESCRIPTION	DWG No.	PART No.	MODEL NAME						REMARKS
				Qty	Qty	Qty	Qty	Qty	Qty	
				RWH-4.0VNFWE, 1 ~ 230V 50Hz	RWH-5.0VNFWE, 1 ~ 230V 50Hz	RWH-6.0VNFWE, 1 ~ 230V 50Hz	RWH-4.0NFWE, 3N ~ 400V 50Hz	RWH-5.0NFWE, 3N ~ 400V 50Hz	RWH-6.0NFWE, 3N ~ 400V 50Hz	
				7E482007	7E482008	7E482009	7E482107	7E482108	7E482109	
32	Valve Port	XEK39268 A	E04849	1	1	1	1	1	1	
33	Security Valve	XEK39309 A	E04850	1	1	1	1	1	1	
34	Thermistor Assy 1	XEK25420 A	E04851	1	1	1	1	1	1	THMw1
35	Thermistor Assy 1	XEK25420 B	E04852	1	1	1	1	1	1	THMwo
36	Thermistor Assy 2	XEK25421 A	E04853	1	1	1	1	1	1	THMG
37	Thermistor Assy 2	XEK25421 B	E04854	1	1	1	1	1	1	THML
38	Thermistor Assy 3	XEK25422 A	E04855	1	1	1	1	1	1	THMs
39	Thermistor Assy 3	XEK25422 B	E04856	1	1	1	1	1	1	THMd
40	PHEX Insulation	XEK25376 A	E04857	1	1	1	1	1	1	
41	Air Purge	XEK38252 A	E04040	1	1	1	1	1	1	
42	Check Valve	17C84659 A	P10777	2	2	2	2	2	2	
43	Pressure Switch	XEK36933 A	E03276	1	1	1	1	1	1	
44	PGC Joint	17C93010 B	P27887	2	2	2	2	2	2	
45	Union	XEK36395 A	E02532	1	1	1	1	1	1	
46	HRN Pressure Switch	XEK39460 A	E04858	1	1	1	1	1	1	
47	Heater Harness	XEK37970 A	E03805	1	1	1	1	1	1	
48	Heater Harness	XEK37970 B	E03806	1	1	1	1	1	1	
49	Heater Harness	XEK37970 C	E03807	1	1	1	1	1	1	
50	Union	XEK39391 A	E04859	1	1	1	1	1	1	
51	Shutdown Valve	XEK39401 B	E04846	2	2	2	2	2	2	
52	Gasket	XEK36144 C	E04824	4	4	4	4	4	4	Shutdown Valve Connection
53	Vessel Support	XEK39445 A	E04862	1	1	1	1	1	1	
54	Strainer	17G55723 B	P26400	1	1	1	1	1	1	
55	Mini Valve	XEK38297 A	E04069	1	1	1	1	1	1	
56	Valve Port	XEK39755 A	E04863	1	1	1	1	1	1	
57	Valve Port	XEK39860 A	E04864	1	1	1	1	1	1	
58	Check JA	17C75461 A	P25932	2	2	2	2	2	2	
59	Strainer	17G62700 A	P25041	2	2	2	2	2	2	
60	Union	27JR1717	E02488	1	1	1	1	1	1	
61	Check Ja	17B41177 B	R4206	3	3	3	3	3	3	
62	Flare Nut	25JR1700	E02490	1	1	1	1	1	1	
63	Flare Nut	25JR2100	E04865	1	1	1	1	1	1	
64	V-P-Rubber 1	17D49474 A	P17308	4	4	4	4	4	4	
65	V-P-Rubber 2	17D21207 A	P13109	4	4	4	4	4	4	

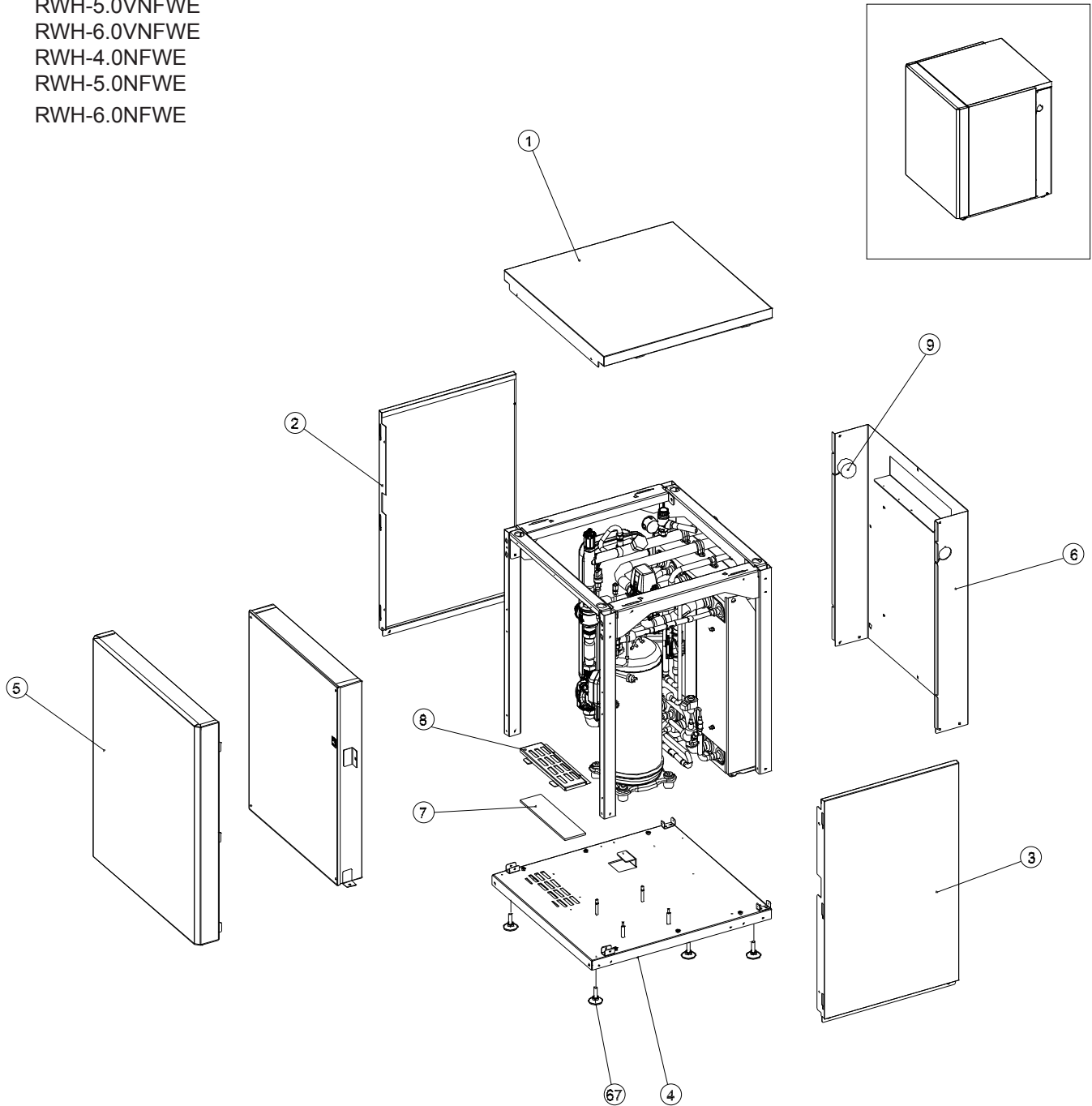
PRODUCT CODE	7E482007
	7E482008
	7E482009
	7E482107
	7E482108
	7E482109

MODEL NAME

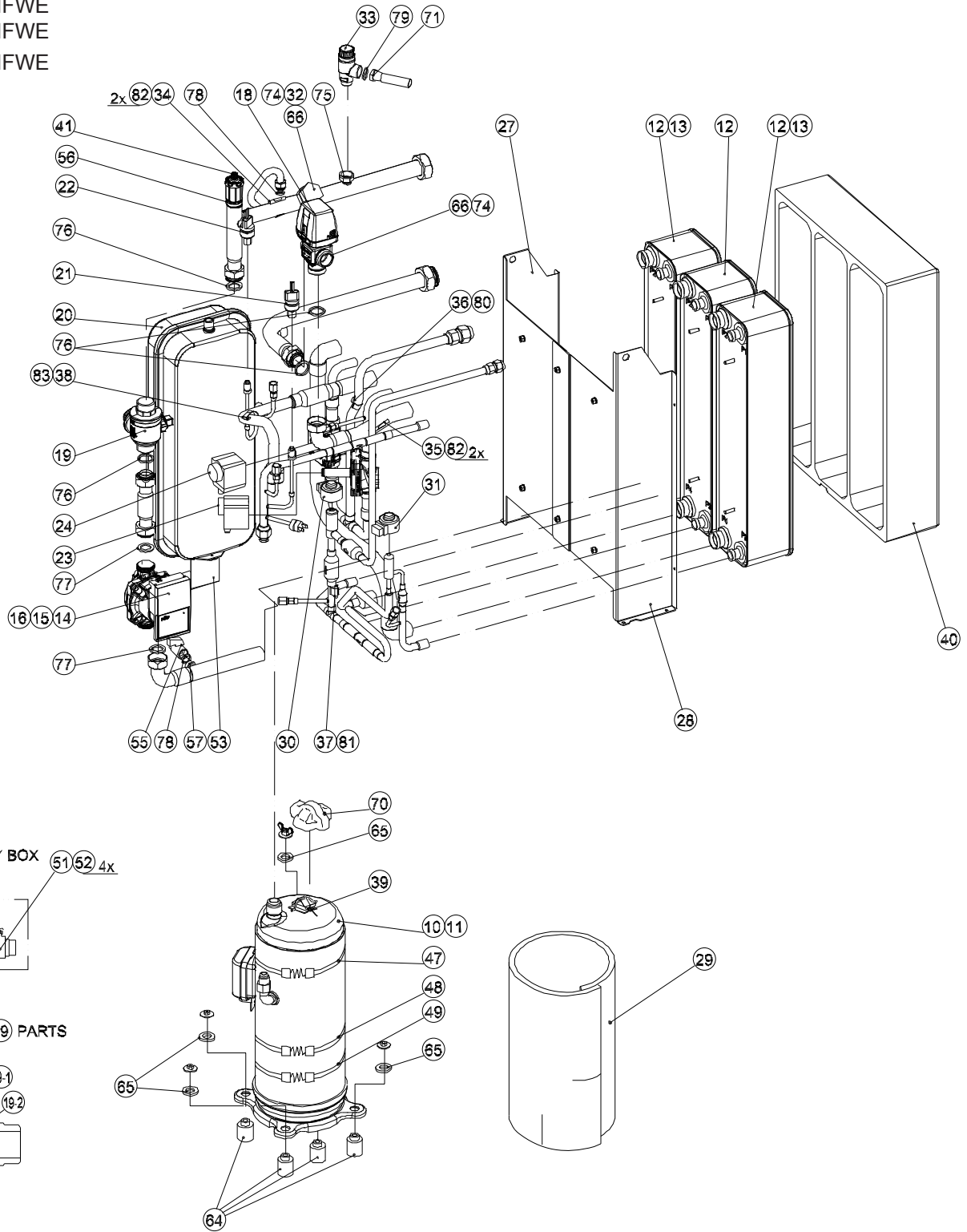
RWH-4.0VNFWE, 1~ 230V 50HZ
RWH-5.0VNFWE, 1~ 230V 50HZ
RWH-6.0VNFWE, 1~ 230V 50HZ
RWH-4.0NFW, 3N~ 400V 50HZ
RWH-5.0NFW, 3N~ 400V 50HZ
RWH-6.0NFW, 3N~ 400V 50HZ

No.	DESCRIPTION	DWG No.	PART No.	Qty	Qty	Qty	Qty	Qty	Qty	REMARKS
66	Seal Nut	XEK37280 A	E04868	2	2	2	2	2	2	
67	Foot	XEK38993 A	E04869	4	4	4	4	4	4	
68	Union	27JR0913	E02487	1	1	1	1	1	1	
69	Flare Nut	25JR0900	E02489	1	1	1	1	1	1	
70	Rubber Cap	17B29767 A	P24397	1	1	1	1	1	1	
71	Union	XEK36303 A	E02507	1	1	1	1	1	1	
72	Strainer	17G62701 B	P25037	1	1	1	1	1	1	
73	Flare Nut	25JR1300	E02776	1	1	1	1	1	1	
74	Seal Gasket	XEK37498 B	E04871	2	2	2	2	2	2	
75	Valve Port	XEK39256 A	E04872	1	1	1	1	1	1	
76	Gasket	XEK36397 A	E02528	4	4	4	4	4	4	Filter Ball/ 3Way Valve Connection
77	Gasket	XEK36144 B	E03832	2	2	2	2	2	2	Pump Connection
78	Gasket	XEK36144 A	E02497	2	2	2	2	2	2	Vessel Connection/ Mini Valve Connection
79	Gasket	XEK36144 D	E04873	1	1	1	1	1	1	Union Connection
80	P-Spring	17G27651 C	E02550	1	1	1	1	1	1	THMG
81	P-Spring	17G27651 B	E02549	1	1	1	1	1	1	THML
82	P-Spring	XEK36252 A	E02551	4	4	4	4	4	4	THMW1/ THMW0
83	P-Spring	17G31457 A	E02444	1	1	1	1	1	1	THMS

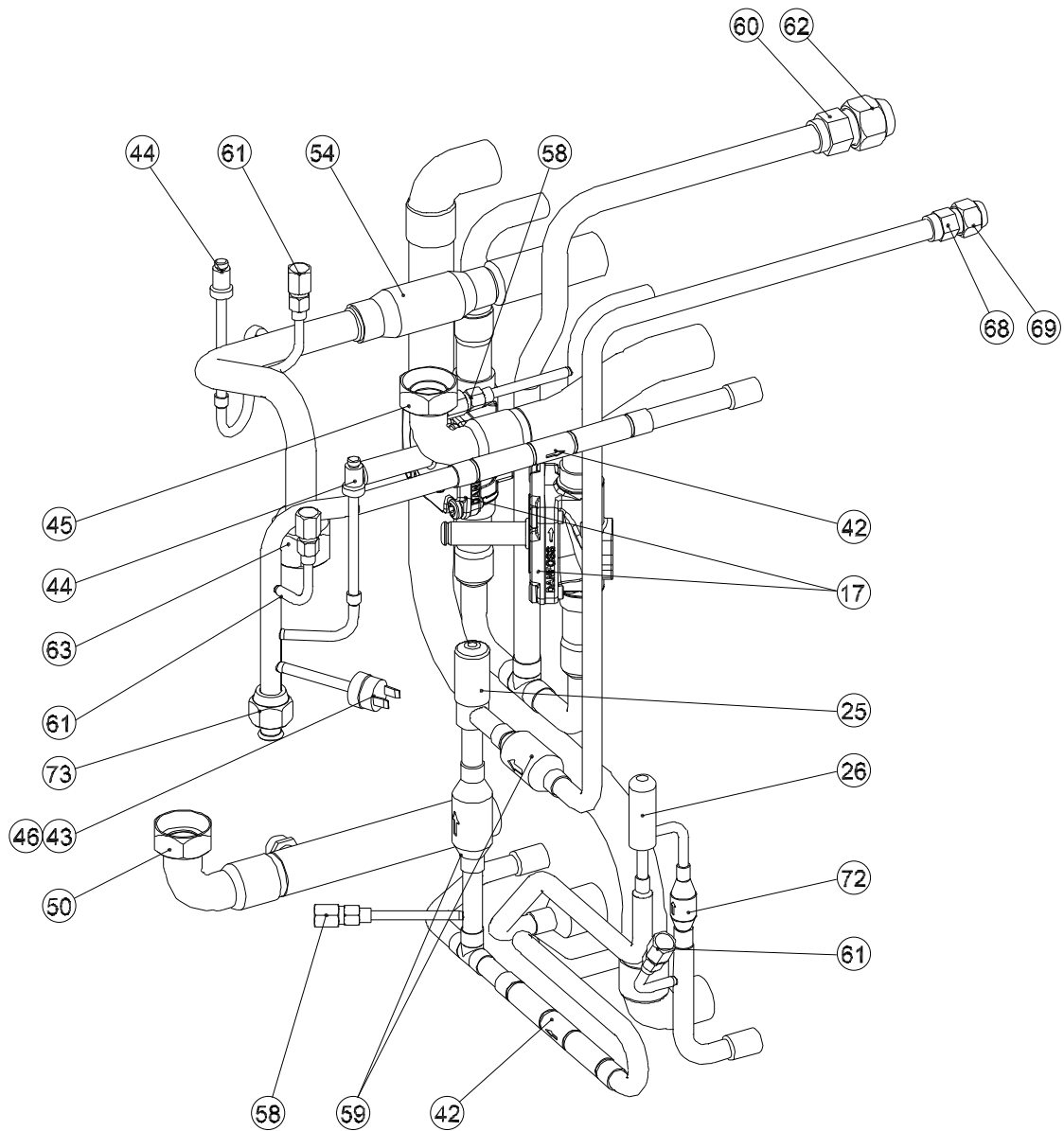
RWH-4.0VNFWE
 RWH-5.0VNFWE
 RWH-6.0VNFWE
 RWH-4.0NFWE
 RWH-5.0NFWE
 RWH-6.0NFWE



RWH-4.0VNFWE
 RWH-5.0VNFWE
 RWH-6.0VNFWE
 RWH-4.0NFW
 RWH-5.0NFW
 RWH-6.0NFW



RWH-4.0VNFWE
 RWH-5.0VNFWE
 RWH-6.0VNFWE
 RWH-4.0NFWE
 RWH-5.0NFWE
 RWH-6.0NFWE



No.	DESCRIPTION	DWG No.	PART No.	MODEL NAME		PRODUCT CODE						REMARKS
				RWH-4.0VNFE, 1~ 230V 50Hz	RWH-5.0VNFE, 1~ 230V 50Hz	RWH-6.0VNFE, 1~ 230V 50Hz	RWH-4.0NFE, 3N~ 400V 50Hz	RWH-5.0NFE, 3N~ 400V 50Hz	RWH-6.0NFE, 3N~ 400V 50Hz	7E482207	7E482208	
1	Upper Cover	XEK39464 A	E04935	1	1	1	1	1	1	1	1	Insulation included
2	Side Cover L Unit	XEK39642 A	E04828	1	1	1	1	1	1	1	1	Insulation included
3	Side Cover R Unit	XEK39643 A	E04829	1	1	1	1	1	1	1	1	Insulation included
4	Base	XEK25423 A	E04830	1	1	1	1	1	1	1	1	
5	Service Cover Assy	XEK39440 A	E04831	1	1	1	1	1	1	1	1	
6	Rear Cover	XEK12578 A	E04936	1	1	1	1	1	1	1	1	
7	Filter	XEK37440 B	E04833	1	1	1	1	1	1	1	1	
8	Filter Stay	XEK39408 A	E04834	1	1	1	1	1	1	1	1	
9	Manometer	XEK38030 A	E03800	1	1	1	1	1	1	1	1	
10	Compressor	17F08506 A	E03272	1	1	1						
11	Compressor	17F08507 A	E03273				1	1	1			
12	Plate HEX	XEK25377 B	E04835	1	3	3	1	3	3			
13	Plate HEX	XEK25377 A	E04836	2			2					
14	Pump	XEK25343 A	E04837	1	1	1	1	1	1	1	1	
15	HRN Power Pump Assy	XEK39359 A	E04838	1	1	1	1	1	1	1	1	
16	HRN Control Pump Ass	XEK39360 A	E04839	1	1	1	1	1	1	1	1	
17	SV Body	XEK37785 A	E03798	2	2	2	2	2	2	2	2	
18	Filter Ball	XEK25347 A	E04840	1	1	1	1	1	1	1	1	
18-1	Filter	XEK39398 B	E04841	1	1	1	1	1	1	1	1	
18-2	Seeger	XEK39399 B	E04842	1	1	1	1	1	1	1	1	
19	Expansion Vessel	XEK25340 A	E04843	1	1	1	1	1	1	1	1	
20	P-Sensor	XEK25591 A	E04844	1	1	1	1	1	1	1	1	Pd
21	P-Sensor	XEK25592 A	E04845	1	1	1	1	1	1	1	1	Ps
22	HRN SV (Coil)	XEK25419 B	E04860	1	1	1	1	1	1	1	1	
23	HRN SV (Coil)	XEK25419 A	E04861	1	1	1	1	1	1	1	1	
24	Expansion Valve	X17F04393 A	E03078		1	1		1	1			1st Cycle
24	Expansion Valve	X17F04392 A	E03077	1			1					1st Cycle
25	Expansion Valve	17C73727 A	P24654	1	1	1	1	1	1	1	1	2nd Cycle
26	PHEX Support L	XEK25430 A	E04847	1	1	1	1	1	1	1	1	
27	PHEX Support R	XEK25431 A	E04848	1	1	1	1	1	1	1	1	
28	Acoustical Cover	XEK24694 C	E03769	1	1	1	1	1	1	1	1	

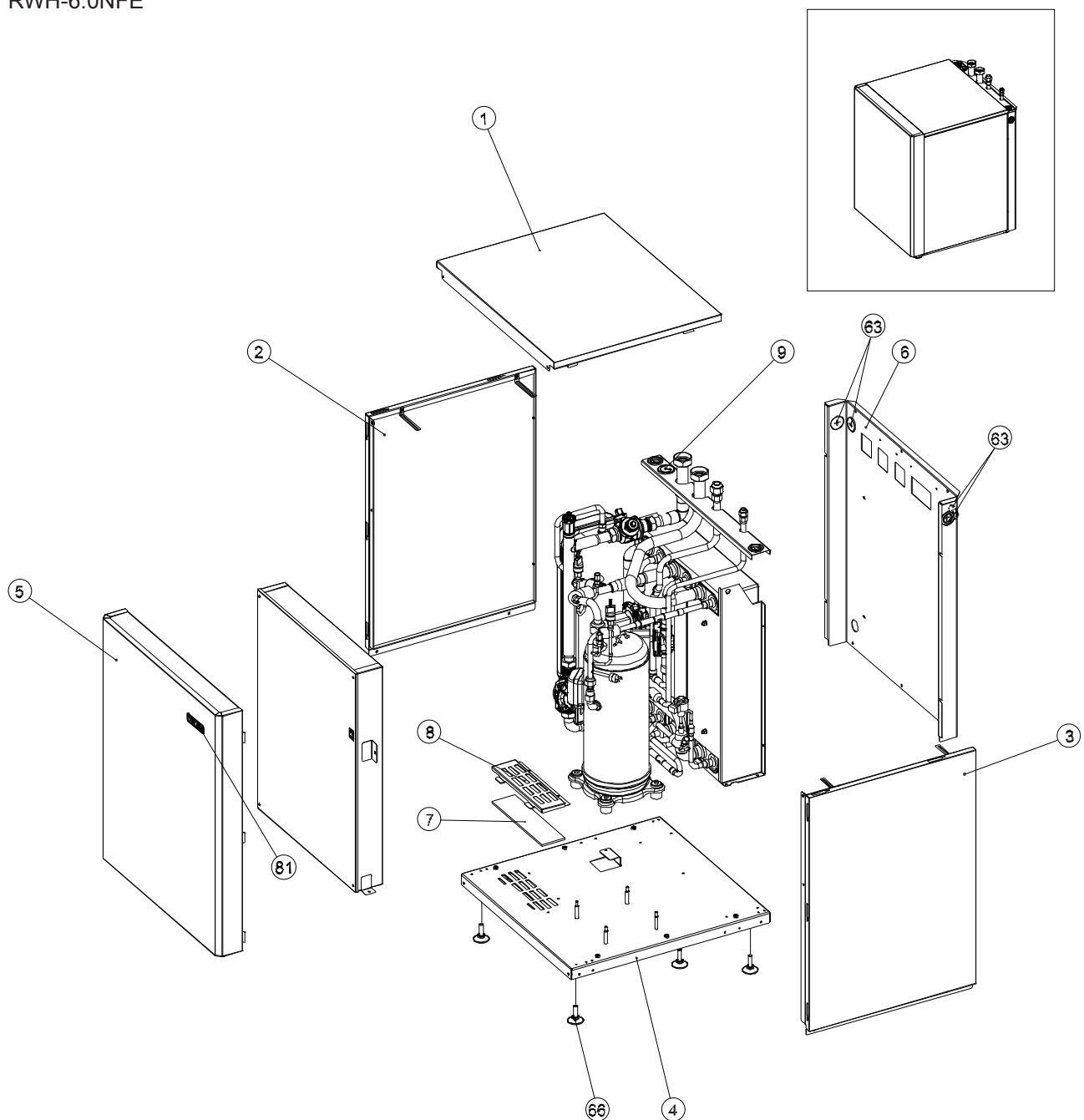
PRODUCT CODE
MODEL NAME

7E482207	RWH-4.0NFWE, 1~ 230V 50Hz
7E482208	RWH-5.0NFWE, 1~ 230V 50Hz
7E482209	RWH-6.0NFWE, 1~ 230V 50Hz
7E482307	RWH-4.0NFWE, 3N~ 400V 50Hz
7E482308	RWH-5.0NFWE, 3N~ 400V 50Hz
7E482309	RWH-6.0NFWE, 3N~ 400V 50Hz

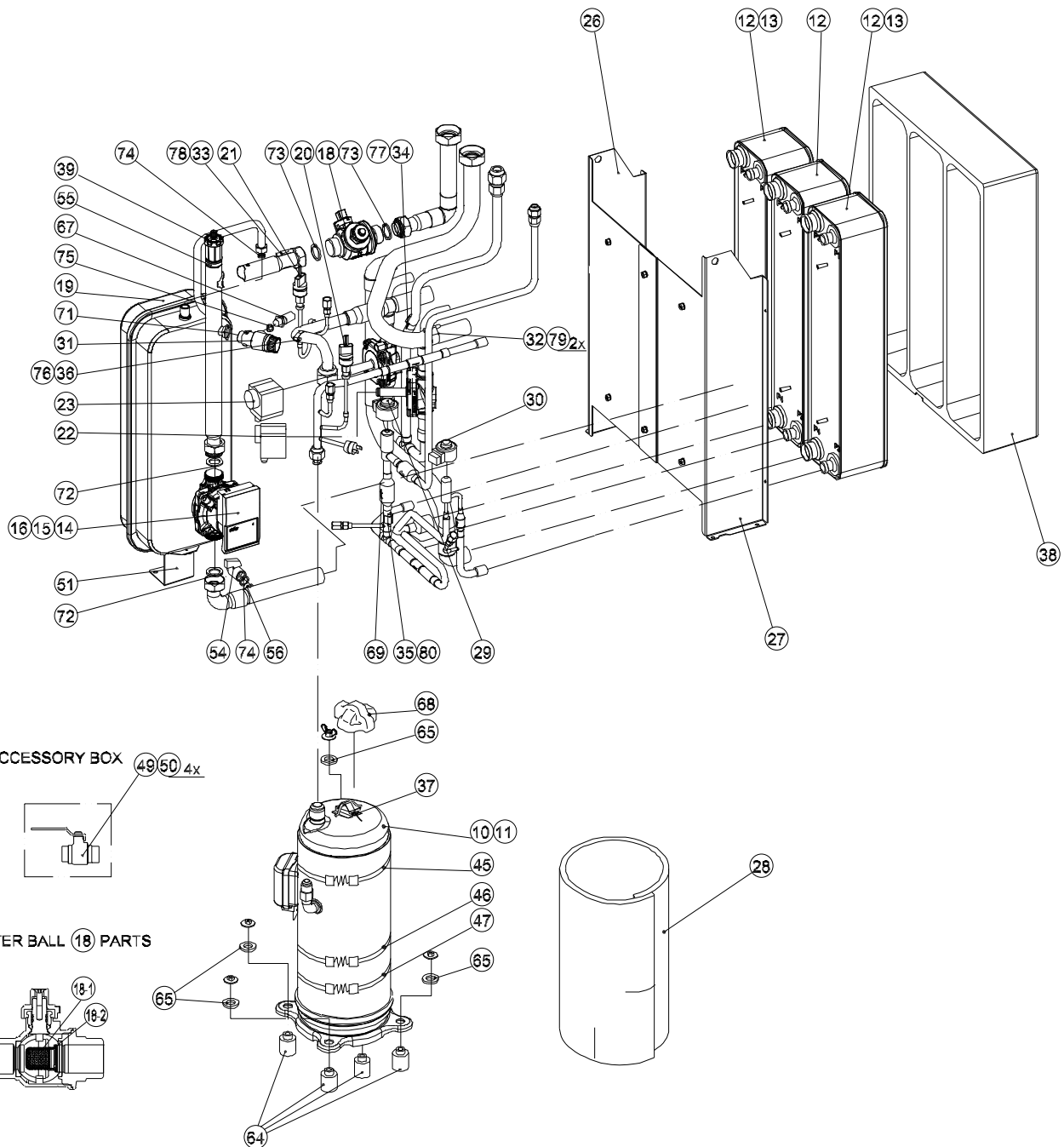
No.	DESCRIPTION	DWG No.	PART No.	Qty	Qty	Qty	Qty	Qty	Qty	REMARKS
60	Flare Nut	25JR1700	E02490	1	1	1	1	1	1	
61	Flare Nut	25JR2100	E04865	1	1	1	1	1	1	
62	Flare Nut	25JR1300	E02776	1	1	1	1	1	1	
63	Rubber Bush	XEK32468 A	E02060	6	6	6	6	6	6	
64	V-P-Rubber 1	17D49474 A	P17308	4	4	4	4	4	4	
65	V-P-Rubber 2	17D21207 A	P13109	4	4	4	4	4	4	
66	Foot	XEK38993 A	E04869	4	4	4	4	4	4	
67	Union	XEK36303 A	E02507	1	1	1	1	1	1	
68	Rubber Cap	17B29767 A	P24397	1	1	1	1	1	1	
69	Strainer	17G62701 B	P25037	1	1	1	1	1	1	
70	Flare Nut	25JR0900	E02489	1	1	1	1	1	1	
71	Valve Port	XEK39256 A	E04872	1	1	1	1	1	1	
72	GASKET	XEK36144 B	E03832	2	2	2	2	2	2	Pump Connection
73	Gasket	XEK36397 A	E02528	2	2	2	2	2	2	Filter Ball/ 3 Way Valve Connection
74	GASKET	XEK36144 A	E02497	2	2	2	2	2	2	Vessel Connection/Mini Valve Connection
75	Gasket	XEK36144 D	E04873	1	1	1	1	1	1	Union Connection
76	P-Spring	17G31457 A	E02444	1	1	1	1	1	1	THMs
77	P-Spring	17G27651 C	E02550	1	1	1	1	1	1	THMg
78	P-Spring	17G31457 D	E01193	1	1	1	1	1	1	THMw1
79	P-Spring	XEK36252 A	E02551	2	2	2	2	2	2	THMwo
80	P-Spring	17G27651 B	E02549	1	1	1	1	1	1	THML
81	Yutaki Label	XEK39388 A	E04944	1	1	1	1	1	1	

No.	DESCRIPTION	DWG No.	PART No.	MODEL NAME						REMARKS
				RWH-4.0VNFE, 1~ 230V 50Hz	RWH-5.0VNFE, 1~ 230V 50Hz	RWH-6.0VNFE, 1~ 230V 50Hz	RWH-4.0NFE, 3N~ 400V 50Hz	RWH-5.0NFE, 3N~ 400V 50Hz	RWH-6.0NFE, 3N~ 400V 50Hz	
				PRODUCT CODE						
				7E482207	7E482208	7E482209	7E482307	7E482308	7E482309	
29	Exp. Valve Coil	X17F04390 C	E03180	1	1	1	1	1	1	
30	EXPV Coil	X17F08045 A	E03291	1	1	1	1	1	1	
31	Security Valve	XEK39309 A	E04850	1	1	1	1	1	1	
32	Thermistor Assy 1	XEK25420 B	E04852	1	1	1	1	1	1	THMw0
33	Thermistor Assy 1	XEK25420 A	E04851	1	1	1	1	1	1	THMw1
34	Thermistor Assy 2	XEK25421 A	E04853	1	1	1	1	1	1	THMG
35	Thermistor Assy 2	XEK25421 B	E04854	1	1	1	1	1	1	THML
36	Thermistor Assy 3	XEK25422 A	E04855	1	1	1	1	1	1	THMS
37	Thermistor Assy 3	XEK25422 B	E04856	1	1	1	1	1	1	THMD
38	PHEX Insulation	XEK25376 A	E04857	1	1	1	1	1	1	
39	Air Purge	XEK38252 A	E04040	1	1	1	1	1	1	
40	Check Valve	17C84659 A	P10777	2	2	2	2	2	2	
41	Pressure Switch	XEK36933 A	E03276	1	1	1	1	1	1	
42	PGC Joint	17C93010 B	P27887	2	2	2	2	2	2	
43	Union	XEK39391 A	E04859	1	1	1	1	1	1	
44	HRN Pressure Switch	XEK39460 A	E04858	1	1	1	1	1	1	
45	Heater Harness	XEK37970 A	E03805	1	1	1	1	1	1	
46	Heater Harness	XEK37970 B	E03806	1	1	1	1	1	1	
47	Heater Harness	XEK37970 C	E03807	1	1	1	1	1	1	
48	Union	27JR1717	E02488	1	1	1	1	1	1	
49	Shutdown Valve	XEK39401 B	E04846	2	2	2	2	2	2	
50	Gasket	XEK36144 C	E04824	4	4	4	4	4	4	Shutdown Valve Connection
51	Vessel Support	XEK39445 A	E04862	1	1	1	1	1	1	
52	Strainer	17G55723 B	P26400	1	1	1	1	1	1	
53	Strainer	17G62700 A	P25041	2	2	2	2	2	2	
54	Mini Valve	XEK38297 A	E04069	1	1	1	1	1	1	
55	Valve Port	XEK39755 A	E04863	1	1	1	1	1	1	
56	Valve Port	XEK39860 A	E04864	1	1	1	1	1	1	
57	Check JA	17C75461 A	P25932	2	2	2	2	2	2	
58	CHECK JA	17B41177 B	R4206	3	3	3	3	3	3	
59	Union	27JR0913	E02487	1	1	1	1	1	1	

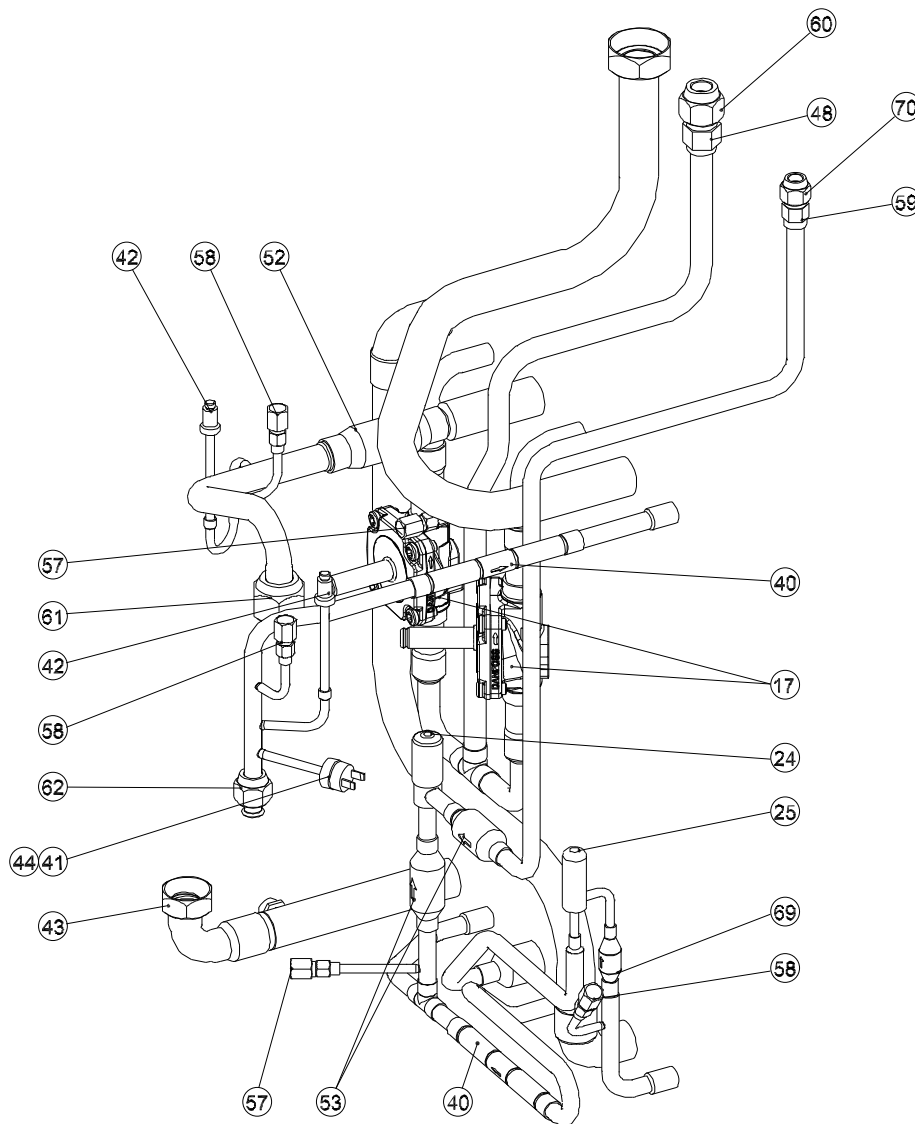
RWH-4.0VNFE
RWH-5.0VNFE
RWH-6.0VNFE
RWH-4.0NFE
RWH-5.0NFE
RWH-6.0NFE



RWH-4.0VNFE
 RWH-5.0VNFE
 RWH-6.0VNFE
 RWH-4.0NFE
 RWH-5.0NFE
 RWH-6.0NFE

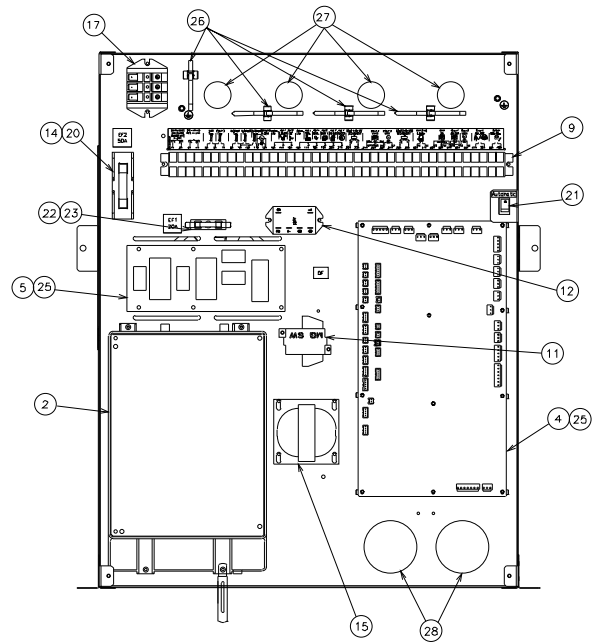
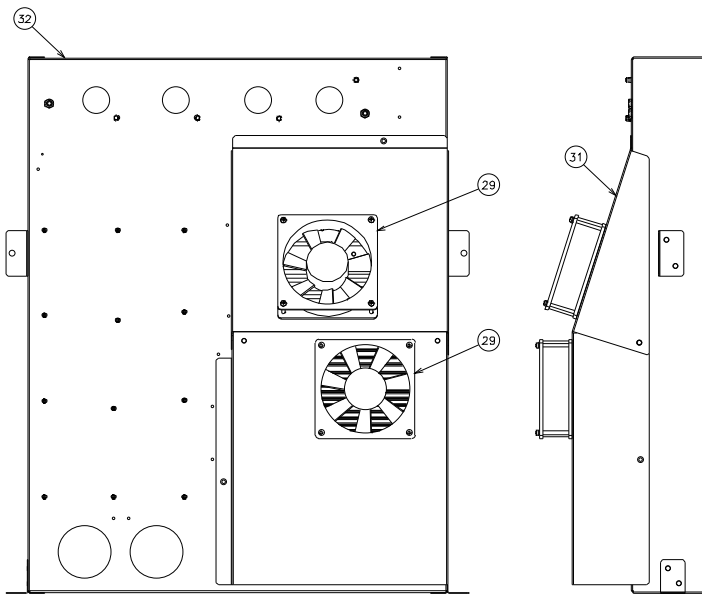
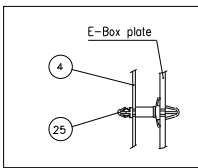


RWH-4.0VNFE
RWH-5.0VNFE
RWH-6.0VNFE
RWH-4.0NFE
RWH-5.0NFE
RWH-6.0NFE



No.	DESCRIPTION	DWG No.	PART No.	MODEL NAME						REMARKS	
				Qty	Qty	Qty	Qty	Qty	Qty		
				PRODUCT CODE							
				7E482007							
				7E482207							
				7E482008							
				7E482208							
				7E482009							
				7E482209							
				7E482107							
				7E482307							
				7E482108							
				7E482308							
				7E482109							
				7E482309							
				RWH-4.0VNFWE, 1~ 230V 50Hz							
				RWH-4.0VNF, 1~ 230V 50Hz							
				RWH-5.0VNFWE, 1~ 230V 50Hz							
				RWH-5.0VNF, 1~ 230V 50Hz							
				RWH-6.0VNFWE, 1~ 230V 50Hz							
				RWH-6.0VNF, 1~ 230V 50Hz							
				RWH-4.0NFWE, 3N~ 400V 50Hz							
				RWH-4.0NF, 3N~ 400V 50Hz							
				RWH-5.0NFWE, 3N~ 400V 50Hz							
				RWH-5.0NF, 3N~ 400V 50Hz							
				RWH-6.0NFWE, 3N~ 400V 50Hz							
				RWH-6.0NF, 3N~ 400V 50Hz							
No.	DESCRIPTION	DWG No.	PART No.	Qty	Qty	Qty	Qty	Qty	Qty	REMARKS	
1	INV Module	17F17782 B	P30843					1	1	1	
2	Inv. Fin Assy	17F07378 D	E03220	1	1	1					
3	Intruction Assy PCB	XEK39262 B	E04666					1	1	1	PCB
4	Intruction Assy PCB	XEK39262 A	E04665	1	1	1					PCB
5	Noise Filter	17B34244 A	P26446	1	1	1					
6	Noise Filter	17B36433 A	P26740					1	1	1	
7	Capacitor	17B22429 D	P23970					2	2	2	
8	Inverter Fin	XEK22926 A	E02438					1	1	1	
9	Terminal Board	17P00835 O	E04778	1	1	1	1	1	1	1	
10	Resistor	17B41920 A	P28599					1	1	1	
11	MG SW	17B28277 B	P24721	1	1	1	1	1	1	1	
12	Relay	XEK39261 A	E04779	1	1	1	1	1	1	1	
13	Resistor	17B41919 A	P30831					1	1	1	
14	Fuse Holder	17C68732 A	P24729	1	1	1					
15	Reactor Assy	XEK37903 A	E03817	1	1	1					
16	Fuse Holder	X17C66740 A	E01015					2	2	2	
17	Terminal Board	17C69651 A	E01088	1	1	1					
18	Terminal Board	XEK34375 A	E02519					1	1	1	
19	Reactor Assy	XEK37921 A	E03818					1	1	1	
20	Fuse	XEK32372 C	P24728	1	1	1					50 A
21	Rocker Switch	XEK37911 A	E03828	1	1	1	1	1	1	1	
22	Fuse Holder	X17C68766 A	E02516	1	1	1	1	1	1	1	
23	Fuse	XEK39253 D	E04782	1	1	1	1	1	1	1	20 A
24	Fuse	XEK32373 D	E00810					2	2	2	20 A
25	Spacer	XEK34315 A	E01789	18	18	18	18	18	18	18	
26	Clamp	XEK31150 A	E02012	4	4	4	4	4	4	4	
27	Rubber Bushing	XEK32468 A	E02060	4	4	4	4	4	4	4	
28	Rubber Bushing	17D12070 L	E04775	2	2	2	2	2	2	2	
29	Fan Ebox	XEK25341 A	E04792	2	2	2	2	2	2	2	
30	Capacitor	17G59143 A	P24786					1	1	1	
31	Fan Support Subassy	XEK25486 A	E04793	1	1	1	1	1	1	1	Only Plate (without components)
32	E-Box Subassy	XEK25474 A	E04794	1	1	1					Only Plate (without components)
33	E-Box Subassy	XEK25473 A	E04795					1	1	1	Only Plate (without components)
34	Electrical Box	XEK01479 A	E04796	1	1	1					Assembly (Components + Harness)
35	Electrical Box	XEK01480 A	E04797					1	1	1	Assembly (Components + Harness)

RWH-4.0VNFWE
 RWH-4.0VNFE
 RWH-5.0VNFWE
 RWH-5.0VNFE
 RWH-6.0VNFWE
 RWH-6.0VNFE



RWH-4.0NFW
 RWH-4.0NFE
 RWH-5.0NFW
 RWH-5.0NFE
 RWH-6.0NFW
 RWH-6.0NFE

