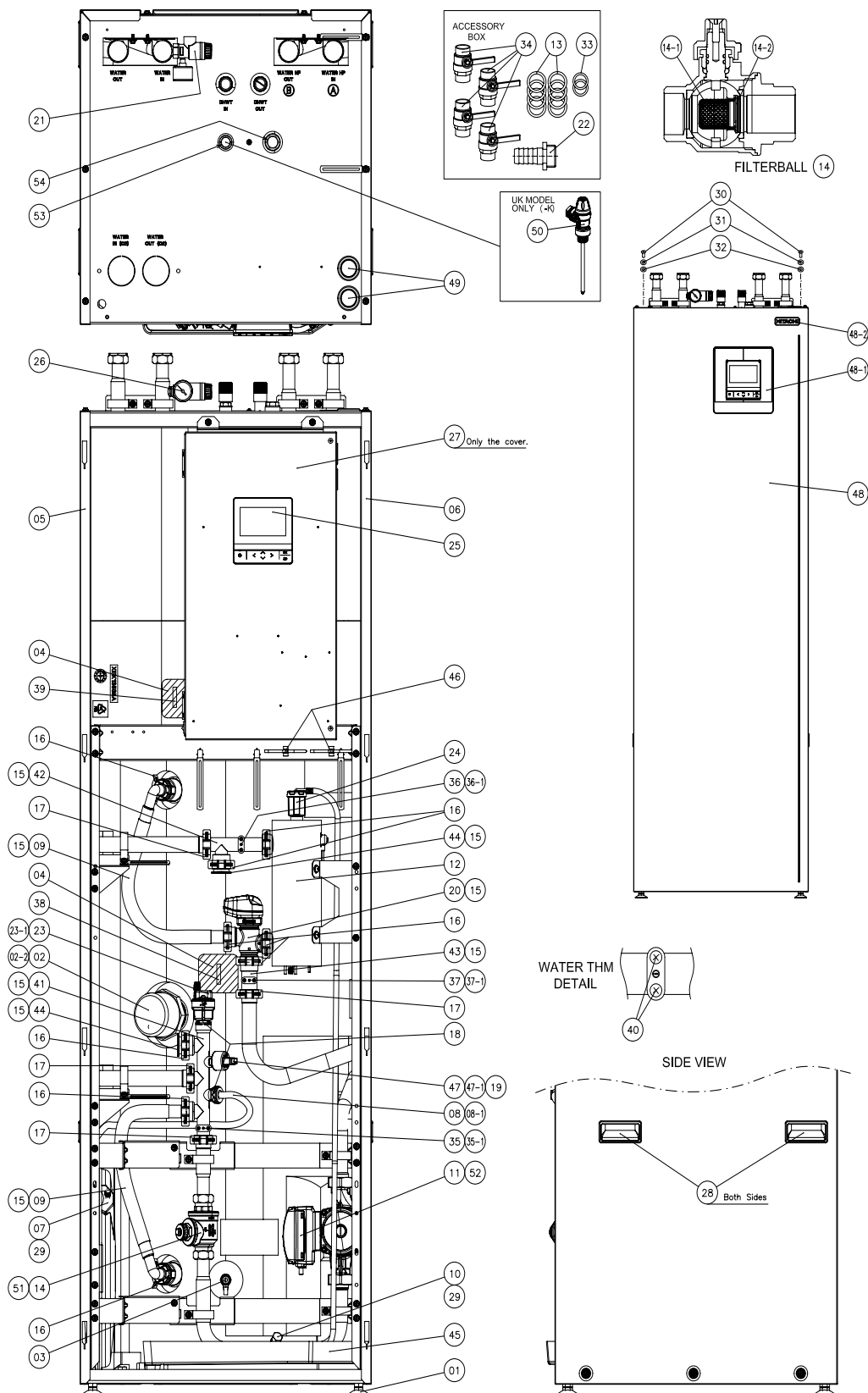


PRODUCT CODE	7E549958
	7E549966
MODEL NAME	HWD-WE-220S, 1~/3~ 230V/400V 50Hz
	HWD-WE-220S-K, 1~/3~ 230V/400V 50Hz

No.	DESCRIPTION	DWG No.	PART No	Qty	Qty	REMARKS
1	Foot	XEK38993A	E04869	4	4	
2	Tank Heater	XEK51792A	E04088	1	1	Tank Heater + Thermostat + O-Ring.
2-2	O-Ring	XEK51544A	E06116	1	1	Only O-Ring for Tank Heater sealing.
3	Drain Valve	XEK52815A	E07086	1	1	
4	TH Insulation	XEK27301A	E07087	2	2	Cover for tank surface thermistors.
5	Side Cover L	XEK13396A	E07088	1	1	
6	Side Cover R	XEK13397A	E07089	1	1	
7	Expansion Vessel 6L	XEK27294A	E07090	1	1	
8	Flexible Pipe	XEK27273A	E07091	1	1	For Expansion Vessel.
8-1	O-Ring	XEK53091A	1000010556	1	1	For Flexible Pipe sealing.
9	Flexible Pipe	XEK27272A	E07092	2	2	For tank coil connections.
10	Seal Nut	XEK37280C	E06198	1	1	
11	Water Pump	XEK27467A	E07682	1	1	
12	Electric Heater	XEK27249A	E07105	1	1	
13	Gasket	XEK36144B	E03832	8	8	For Shutdown Valves connections.
14	Filter Ball	XEK25347A	E04840	1	1	
14-1	Filter	XEK39398B	E04841	1	1	
14-2	Seeger	XEK39399B	E04842	1	1	
15	O-Ring	XEK52671D	E07107	13	13	For Quick Connections sealing.
16	Clamp	XEK52689A	E07108	9	9	
17	Clamp	XEK52690A	E07109	4	4	
18	Clamp	XEK52691A	E07110	2	2	
19	Clamp	XEK52692A	E07111	1	1	For Pressure Sensor connection.
20	3 Way Valve	XEK27300A	E07112	1	1	
21	Security Valve	XEK52694A	E07113	1	1	
22	Union	XEK36303A	E02507	1	1	
23	Air Purge	XEK52688A	E07114	1	1	
23-1	O-Ring	XEK53091A	1000010556	1	1	For Air Purge sealing.
24	Air Purge	XEK50420A	E06307	1	1	

No.	DESCRIPTION	DWG No.	PART No	MODEL NAME		REMARKS
				HWD-WE-220S, 1~/3~ 230V/400V 50Hz	HWD-WE-220S-K, 1~/3~ 230V/400V 50Hz	
				PRODUCT CODE		
				7E549958	7E549966	
25	Remote Controller	XEK53044A	1000011475	1	1	
26	Manometer	XEK52693A	E07116	1	1	
27	E-Box Cover Assy	XEK52698B	1000011470	1	1	Plate + Labels.
28	Handle	XEK37816B	1000010583	4	4	
29	Gasket	XEK36144A	E02497	2	2	For Vessel and Seal Nut connections.
30	Screw	XEK40091A	E02501	2	2	
31	Washer	01VF0400	E02548	2	2	
32	Nylon Washer	XEK40093B	E02547	2	2	
33	Gasket	XEK36144E	E04954	2	2	For DHWT In/Out connections.
34	Shutdown Valve	XEK39401A	E05019	4	4	
35	Thermistor Assy	XEK27251A	E07118	1	1	Water In THM.
35-1	O-Ring	XEK27380A	1000010558	1	1	For Thermistor sealing.
36	Thermistor Assy	XEK27251B	E07119	1	1	Water Out THM.
36-1	O-Ring	XEK27380A	1000010558	1	1	For Thermistor sealing.
37	Thermistor Assy	XEK27251C	E07120	1	1	Water Out Heat Pump THM.
37-1	O-Ring	XEK27380A	1000010558	1	1	For Thermistor sealing.
38	Thermistor Assy	XEK26452P	E07122	1	1	Tank surface.
39	Thermistor Assy	XEK26453R	E07123	1	1	Tank surface.
40	Screw (Thermoplastic)	XEK52696A	E07124	6	6	For water thermistors.
41	Composite 1	XEK13391A	E07125	1	1	
42	Composite 2	XEK27275A	E07126	1	1	
43	Composite 3	XEK27276A	E07127	1	1	
44	Plug	XEK27277A	E07128	2	2	
45	Drain Pan	XEK13392A	E07129	1	1	
46	Clamp	XEK31150A	E02012	2	2	
47	Pressure Sensor	XEK27254A	E07227	1	1	
47-1	O-Ring	XEK53092A	1000010557	1	1	For Pressure Sensor sealing.
48	Service Cover Assy	XEK27389A	E07131	1	1	Service Cover + LCD Frame + Label
48-1	LCD Frame	XEK13393A	E07132	1	1	

No.	DESCRIPTION	DWG No.	PART No	MODEL NAME		REMARKS
				HWD-WE-220S, 1~/3~ 230V/400V 50Hz	HWD-WE-220S-K, 1~/3~ 230V/400V 50Hz	
				PRODUCT CODE		
				7E549958		
					7E549966	
48-2	Hitachi Label	XEK52930A	E07226	1	1	
49	Rubber Bush	X17D12070F	E01999	2	2	
50	Pres. and Temp. Valve	XEK52573A	E06743	-	1	Used only for UK model
51	Gasket	XEK36397A	E02528	2	2	For Filter Ball connections.
52	Gasket	XEK35682A	E02496	2	2	For Water Pump connections.
53	Plug	XEK53165A	1000011925	1	-	G1/2" Male. (Pres. and Temp. Valve for UK model)
54	Plug	XEK53166A	1000011927	1	1	G3/4" Male.



No.	DESCRIPTION	DWG No.	PART No	MODEL NAME		REMARKS
				HWD-WE-220S, 1~/3~ 230V/400V 50Hz	HWD-WE-220S-K, 1~/3~ 230V/400V 50Hz	
				PRODUCT CODE		
				7E549958		
				7E549966		
1	PCB	XEK52789F	1000011412	1	1	
2	Spacer	XEK34315A	E01789	12	12	
3	Terminal Board	XEK34375A	E02519	1	1	
4	Terminal Board	X17P00835O	E04778	1	1	
5	Relay	XEK39260A	E04779	3	3	
6	Fuse	XEK39253B	E04781	3	3	12,5A
7	Fuse	XEK39253D	E04782	1	1	20A
8	Fuse Holder	X17C68766A	E02516	4	4	
9	Thermostat	XEK39254A	E04785	1	1	
10	Rocker Switch	XEK52821A	E07134	1	1	
11	Rubber Bush	XEK32468A	E02060	2	2	
12	Electrical Box	XEK01867A	1000011429	1	1	Assembly (Plate + Components + Harness).
13	E-Box Subassy	XEK27296A	E07137	1	1	Only plate (without components).

