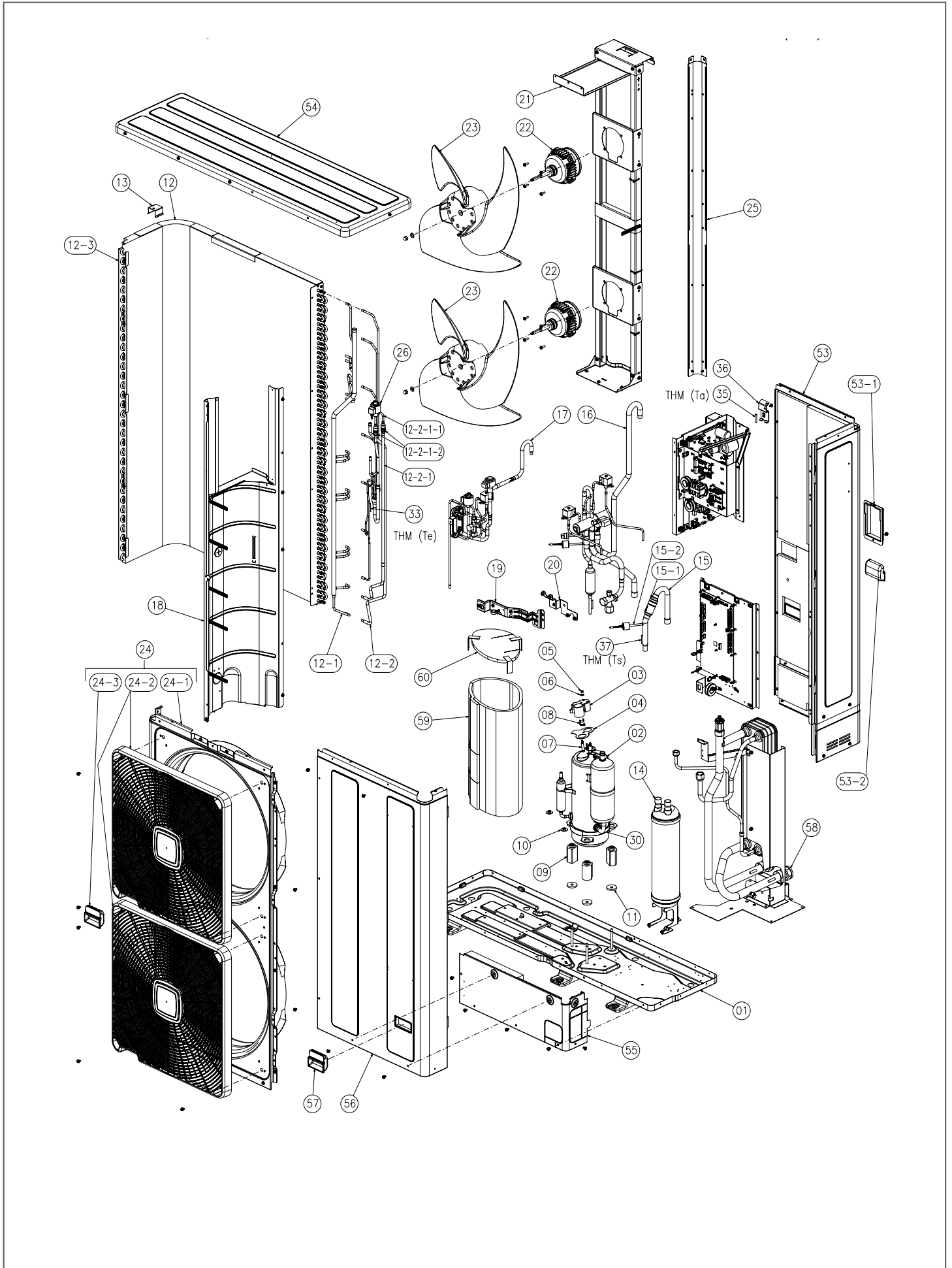


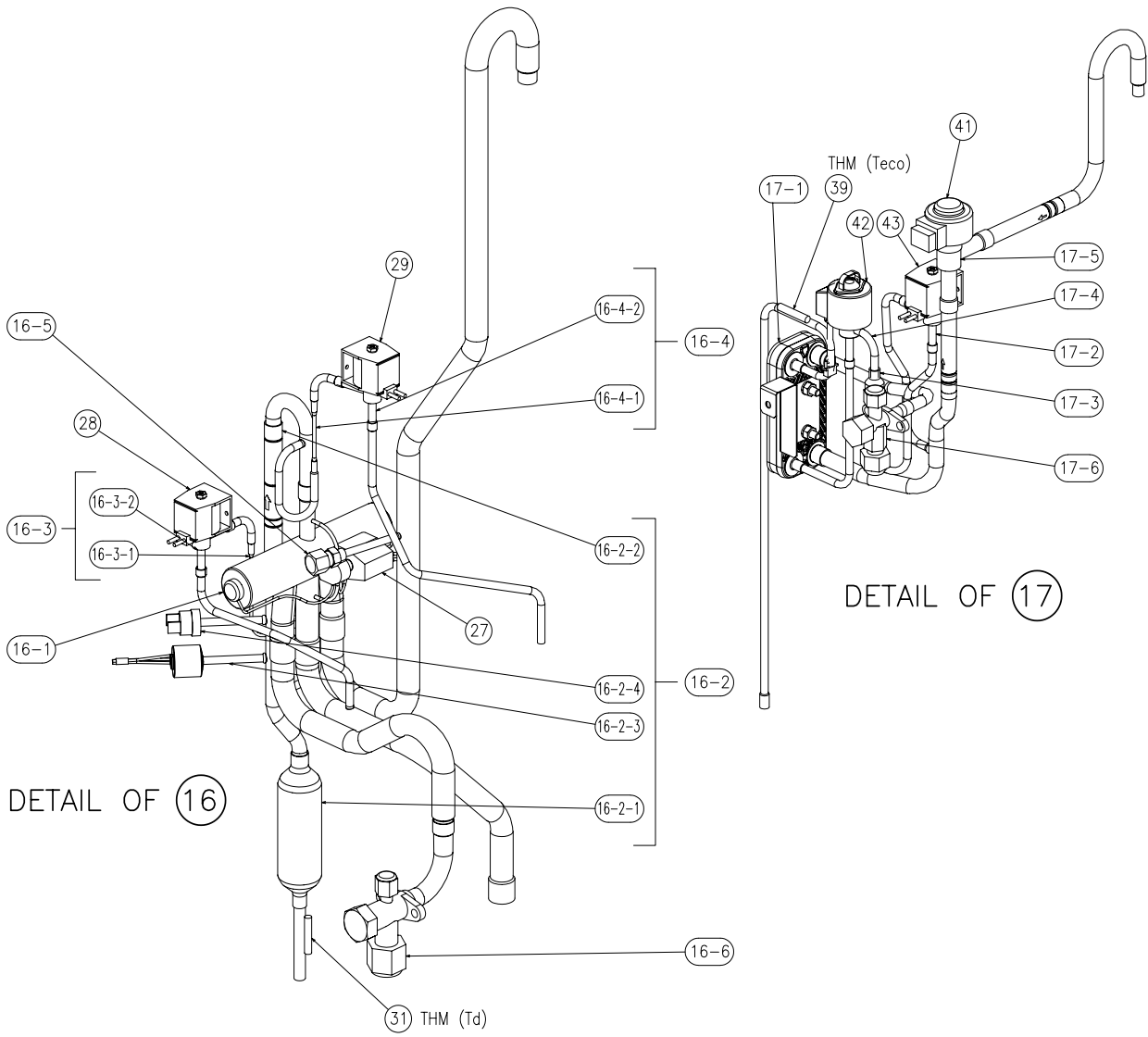
No.	DESCRIPTION	DWG No.	PART No	MODEL NAME								REMARKS					
				Qty	Qty	Qty	Qty	Qty	Qty	Qty	Qty						
				PRODUCT CODE													
				RASM-4VRW1E, 1~ 230V 50Hz	7E352020	RASM-5VRW1E, 1~ 230V 50Hz	7E352021	RASM-6VRW1E, 1~ 230V 50Hz	7E352022	RASM-4RW1E, 3N~ 400V 50Hz	7E352120	RASM-5RW1E, 3N~ 400V 50Hz	7E352121	RASM-6RW1E, 3N~ 400V 50Hz	7E352122	RASM-7RW1E, 3N~ 400V 50Hz	7E352159
1	B-Base Assy	XEK27384A	XEK27384A	1	1	1	1	1	1	1	1	1	1	1	1	1	Assembly
2	Compressor	XEK13501A	XEK13501A	1	1	1											
2	Compressor	XEK13468A	XEK13468A				1	1	1	1							
3	Terminal Cover	XEK51995A	E06435	1	1	1	1	1	1	1	1	1	1	1	1	1	
4	Gasket	XEK51996A	E06436	1	1	1	1	1	1	1	1	1	1	1	1	1	
5	Nut	XEK51997A	E06437	1	1	1	1	1	1	1	1	1	1	1	1	1	
6	Rubber Washer	XEK51998A	E06438	1	1	1	1	1	1	1	1	1	1	1	1	1	
7	Sleeve	XEK51999A	E06439	1	1	1	1	1	1	1	1	1	1	1	1	1	
8	Thermal Cut-Out	XEK52610A	E06877	1	1	1	1	1	1	1	1	1	1	1	1	1	
9	Rubber Grommet	XEK51993A	E06433	3	3	3	3	3	3	3	3	3	3	3	3	3	
10	Special Nut	17D49475A	17D49475A	2	2	2	2	2	2	2	2	2	2	2	2	2	
11	F-Rubber Washer	XEK51994A	E06434	3	3	3	3	3	3	3	3	3	3	3	3	3	
12	Condenser Assy	XEK01857A	1000011421	1			1										Assembly
12	Condenser Assy	XEK01858A	1000011422		1	1			1	1	1	1	1	1	1	1	Assembly
12-1	Header G Assy	XEK26622A	XEK26622A	1			1										Assembly
12-1	Header G Assy	X17F05096A	17F05096A		1	1			1	1	1	1	1	1	1	1	Assembly
12-2	Header L Assy	XEK27438A	1000011453	1			1										Assembly
12-2	Header L Assy	XEK27440A	1000011455		1	1			1	1	1	1	1	1	1	1	Assembly
12-2-1	EVO Assy	XEK27439A	1000011454	1			1										Assembly
12-2-1	EVO Assy	XEK27441A	1000011457		1	1			1	1	1	1	1	1	1	1	Assembly
12-2-1-1	Expansion Valve	X17C78465A	17C78465A	1	1	1	1	1	1	1	1	1	1	1	1	1	EVO
12-2-1-2	Strainer	17G62701B	P25037	2	2	2	2	2	2	2	2	2	2	2	2	2	
12-3	End P Unit	X17C87812B	17C87812B	1	1	1	1	1	1	1	1	1	1	1	1	1	
13	Stay	X17G57303A	17G57303A	1	1	1	1	1	1	1	1	1	1	1	1	1	
14	Accumulator	XEK27121A	E06845	1	1	1	1	1	1	1	1	1	1	1	1	1	
15	Pipe S Assy	XEK52991A	1000011472	1	1	1	1	1	1	1	1	1	1	1	1	1	Assembly
15-1	Strainer	17G55723A	17G55723A	1	1	1	1	1	1	1	1	1	1	1	1	1	
15-2	P-Sensor (S)	X17B47112A	17B47112A	1	1	1	1	1	1	1	1	1	1	1	1	1	Ps
16	4-Way Valve Assy	XEK13469A	1000011432	1			1										Assembly
16	4-Way Valve Assy	XEK13469B	1000011433		1	1			1	1	1	1	1	1	1	1	Assembly
16-1	4-Way Valve	X17F06922A	17F06922A	1	1	1	1	1	1	1	1	1	1	1	1	1	RVR
16-2	D Pipe Assy	XEK27442A	1000011458	1	1	1	1	1	1	1	1	1	1	1	1	1	Assembly
16-2-1	Silencer	17H05922A	17H05922A	1	1	1	1	1	1	1	1	1	1	1	1	1	

No.	DESCRIPTION	DWG No.	PART No	MODEL NAME								REMARKS					
				Qty	Qty	Qty	Qty	Qty	Qty	Qty	Qty						
				PRODUCT CODE													
				RASM-4VRW1E, 1~ 230V 50Hz	7E352020	RASM-5VRW1E, 1~ 230V 50Hz	7E352021	RASM-6VRW1E, 1~ 230V 50Hz	7E352022	RASM-4RW1E, 3N~ 400V 50Hz	7E352120	RASM-5RW1E, 3N~ 400V 50Hz	7E352121	RASM-6RW1E, 3N~ 400V 50Hz	7E352122	RASM-7RW1E, 3N~ 400V 50Hz	7E352159
16-2-2	Check Valve	17F11142A	17F11142A	1	1	1	1	1	1	1	1	1	1	1	1		
16-2-3	P-Sensor	X17B46257A	17B46257A	1	1	1	1	1	1	1	1	1	1	1	1	Pd	
16-2-4	Pressure SW	XEK22551A	E03359	1	1	1	1	1	1	1	1	1	1	1	1	PSH (High)	
16-3	SVA Assy	XEK52992A	1000011473	1	1	1	1	1	1	1	1	1	1	1	1	Assembly	
16-3-1	Capillary	X17H04232A	E06838	1	1	1	1	1	1	1	1	1	1	1	1		
16-3-2	Solenoid Valve	17C77098A	P25246	1	1	1	1	1	1	1	1	1	1	1	1	SVA	
16-4	SVC Assy	XEK52993A	1000011474	1	1	1	1	1	1	1	1	1	1	1	1	Assembly	
16-4-1	Capillary	X17H07462C	17H07462C	1	1	1	1	1	1	1	1	1	1	1	1		
16-4-2	Solenoid Valve	17C77098A	P25246	1	1	1	1	1	1	1	1	1	1	1	1	SVC	
16-5	Check JA	X17C75461A	17C75461A	1	1	1	1	1	1	1	1	1	1	1	1		
16-6	Stop Valve 5/8	XEK25609A	XEK25609A	1	1	1	1	1	1	1	1	1	1	1	1	5/8	
17	Economizer Unit	XEK27496A	1000011464	1				1								Assembly	
17	Economizer Unit	XEK27496B	1000011465		1	1			1	1	1					Assembly	
17-1	Economizer	XEK27444A	XEK27444A	1	1	1	1	1	1	1	1	1	1	1	1		
17-2	Solenoid Valve	17C77098A	P25246	1	1	1	1	1	1	1	1	1	1	1	1	SVE	
17-3	Strainer	17G62701A	17G62701A	1	1	1	1	1	1	1	1	1	1	1	1		
17-4	Expansion Valve	X17C73727C	17C73727C	1	1	1	1	1	1	1	1	1	1	1	1	EVE	
17-5	Expansion Valve	X17F04392A	E03077	1				1								EVI	
17-5	Expansion Valve	X17F04393A	E03078		1	1			1	1	1					EVI	
17-6	Stop Valve 3/8	X17F17387A	17F17387A	1	1	1	1	1	1	1	1	1	1	1	1	3/8	
18	Partition Assy	XEK27445A	1000011459	1	1	1	1	1	1	1	1	1	1	1	1		
19	V-Stay	X17F07129A	17F07129A	1	1	1	1	1	1	1	1	1	1	1	1		
20	Valve Stay	XEK52845A	XEK52845A	1	1	1	1	1	1	1	1	1	1	1	1		
21	Clamp L Assy	XEK13110A	E06334	1				1								Assembly	
21	Clamp L Assy	XEK13110B	E06335		1	1			1	1	1					Assembly	
22	Fan Motor	-	E06110	2	2	2	2	2	2	2	2	2	2	2	2		
23	Propeller Fan	X17A17362B	E06482	2	2	2	2	2	2	2	2	2	2	2	2		
24	Shroud L Unit	XEK26647A	E06379	1	1	1	1	1	1	1	1	1	1	1	1	Assembly	
24-1	Shroud L	XEK01718A	E06317	1	1	1	1	1	1	1	1	1	1	1	1		
24-2	Front Protector Net	X17A17019A	E02876	2	2	2	2	2	2	2	2	2	2	2	2	Air Outlet	
24-3	Handle	X17C71740A	17C71740A	1	1	1	1	1	1	1	1	1	1	1	1		
25	Side Cover	XEK11522B	E05855	1	1	1	1	1	1	1	1	1	1	1	1		
26	EXPV Coil	X17C78180A	17C78180A	1	1	1	1	1	1	1	1	1	1	1	1	Coil for Expansion Valve (EVO)	

No.	DESCRIPTION	DWG No.	PART No	MODEL NAME								REMARKS					
				Qty	Qty	Qty	Qty	Qty	Qty	Qty	Qty						
				PRODUCT CODE													
				RASM-4VRW1E, 1~ 230V 50Hz	7E352020	RASM-5VRW1E, 1~ 230V 50Hz	7E352021	RASM-6VRW1E, 1~ 230V 50Hz	7E352022	RASM-4RW1E, 3N~ 400V 50Hz	7E352120	RASM-5RW1E, 3N~ 400V 50Hz	7E352121	RASM-6RW1E, 3N~ 400V 50Hz	7E352122	RASM-7RW1E, 3N~ 400V 50Hz	7E352159
27	Coil Harness	XEK51770A	1000011716	1	1	1	1	1	1	1	1	1	1	1	1	1	RVR
28	Coil Harness	XEK51770B	1000011717	1	1	1	1	1	1	1	1	1	1	1	1	1	SVA
29	Coil Harness	XEK51770E	1000011468	1	1	1	1	1	1	1	1	1	1	1	1	1	SVC
30	C-Heater	H7C05802B	H7C05802B	1	1	1											
30	C-Heater	XEK51781A	XEK51781A					1	1	1	1	1	1	1	1	1	
31	Thermistor Assy	XEK26453E	XEK26453E	1	1	1	1	1	1	1	1	1	1	1	1	1	Td
32	P-Spring	X17G27651A	17G27651A	1	1	1	1	1	1	1	1	1	1	1	1	1	
33	Thermistor Assy	XEK26452L	XEK26452L	1	1	1	1	1	1	1	1	1	1	1	1	1	Te
34	TH-Plate	X17D49473A	17D49473A	1	1	1	1	1	1	1	1	1	1	1	1	1	
35	Thermistor Assy	XEK26942B	XEK26942B	1	1	1	1	1	1	1	1	1	1	1	1	1	Ta
36	TH-Plate	XEK27417A	XEK27417A	1	1	1	1	1	1	1	1	1	1	1	1	1	
37	Thermistor Assy	XEK26452R	XEK26452R	1	1	1	1	1	1	1	1	1	1	1	1	1	Ts
38	P-Spring	X17G31457A	17G31457A	1	1	1	1	1	1	1	1	1	1	1	1	1	
39	Thermistor Assy	XEK26452Q	XEK26452Q	1	1	1	1	1	1	1	1	1	1	1	1	1	Teco
40	P-Spring	X17G27651D	17G27651D	1	1	1	1	1	1	1	1	1	1	1	1	1	
41	Expansion Valve Coil	X17F04390C	E03180	1	1	1	1	1	1	1	1	1	1	1	1	1	Coil for Expansion Valve (EVI)
42	EXPV Coil	X17F08045A	17F08045A	1	1	1	1	1	1	1	1	1	1	1	1	1	Coil for Expansion Valve (EVE)
43	Coil Harness	XEK51770F	1000011469	1	1	1	1	1	1	1	1	1	1	1	1	1	SVE
44	PHEX Unit	XEK27455A	1000011462	1				1									Assembly
44	PHEX Unit	XEK27455B	1000011463		1	1			1	1	1						Assembly
44-1	Plate HEX	XEK27683A	1000010600	1				1									
44-1	Plate HEX	XEK27683B	1000010601		1	1			1	1	1						
44-2	WH Heater	XEK53017A	XEK53017A	1				1									
44-2	WH Heater	XEK53017B	XEK53017B		1	1			1	1	1						
45	Air Purge	XEK38252A	E04040	1	1	1	1	1	1	1	1	1	1	1	1	1	
46	Thermistor Assy	XEK26451S	XEK26451S	1	1	1	1	1	1	1	1	1	1	1	1	1	Water In Thermistor
47	Thermistor Assy	XEK26451J	XEK26451J	1	1	1	1	1	1	1	1	1	1	1	1	1	Water Out Thermistor
48	P-Spring	XEK36252A	XEK36252A	2	2	2	2	2	2	2	2	2	2	2	2	2	
49	Thermistor Assy	XEK26430B	XEK26430B	1	1	1	1	1	1	1	1	1	1	1	1	1	Gas Thermistor
50	P-Spring	X17G27651C	17G27651C	1	1	1	1	1	1	1	1	1	1	1	1	1	
51	Thermistor Assy	XEK26430N	XEK26430N	1	1	1	1	1	1	1	1	1	1	1	1	1	Liquid Thermistor
52	P-Spring	X17H31854A	17H31854A	1	1	1	1	1	1	1	1	1	1	1	1	1	
53	Rear Cover L Assy	XEK27499A	1000011467	1	1	1	1	1	1	1	1	1	1	1	1	1	Assembly

No.	DESCRIPTION	DWG No.	PART No	MODEL NAME							PRODUCT CODE	REMARKS
				RASM-4VRW1E, 1~ 230V 50Hz	RASM-5VRW1E, 1~ 230V 50Hz	RASM-6VRW1E, 1~ 230V 50Hz	RASM-4RW1E, 3N~ 400V 50Hz	RASM-5RW1E, 3N~ 400V 50Hz	RASM-6RW1E, 3N~ 400V 50Hz	RASM-7RW1E, 3N~ 400V 50Hz	7E352020	
53-1	H Cover	17B27407A	17B27407A	1	1	1	1	1	1	1		
53-2	Handle	X17C71740A	17C71740A	1	1	1	1	1	1	1		
54	Upper Cover Assy	XEK23441A	E02148	1	1	1	1	1	1	1	Assembly	
55	S Cover B Assy	XEK27498A	1000011466	1	1	1	1	1	1	1		
56	Service Cover L Assy	XEK13482G	1000011443	1							Assembly	
56	Service Cover L Assy	XEK13482H	1000011444		1						Assembly	
56	Service Cover L Assy	XEK13482J	1000011445			1					Assembly	
56	Service Cover L Assy	XEK13482K	1000011446				1				Assembly	
56	Service Cover L Assy	XEK13482L	1000011447					1			Assembly	
56	Service Cover L Assy	XEK13482M	1000011450						1		Assembly	
56	Service Cover L Assy	XEK13482P	1000011452							1	Assembly	
57	Handle	X17C71740A	17C71740A	1	1	1	1	1	1	1		
58	Gasket	XEK36144C	XEK36144C	4	4	4	4	4	4	4		
59	Acoustical Cover	XEK26629B	XEK26629B	1	1	1	1	1	1	1		
60	Acoustical Cover Cap	XEK26630A	XEK26630A	1	1	1	1	1	1	1		

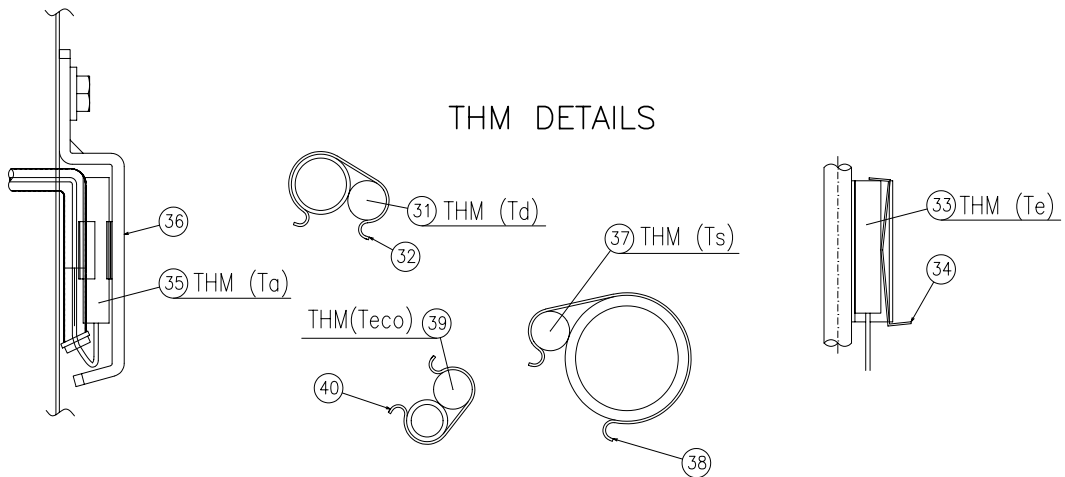




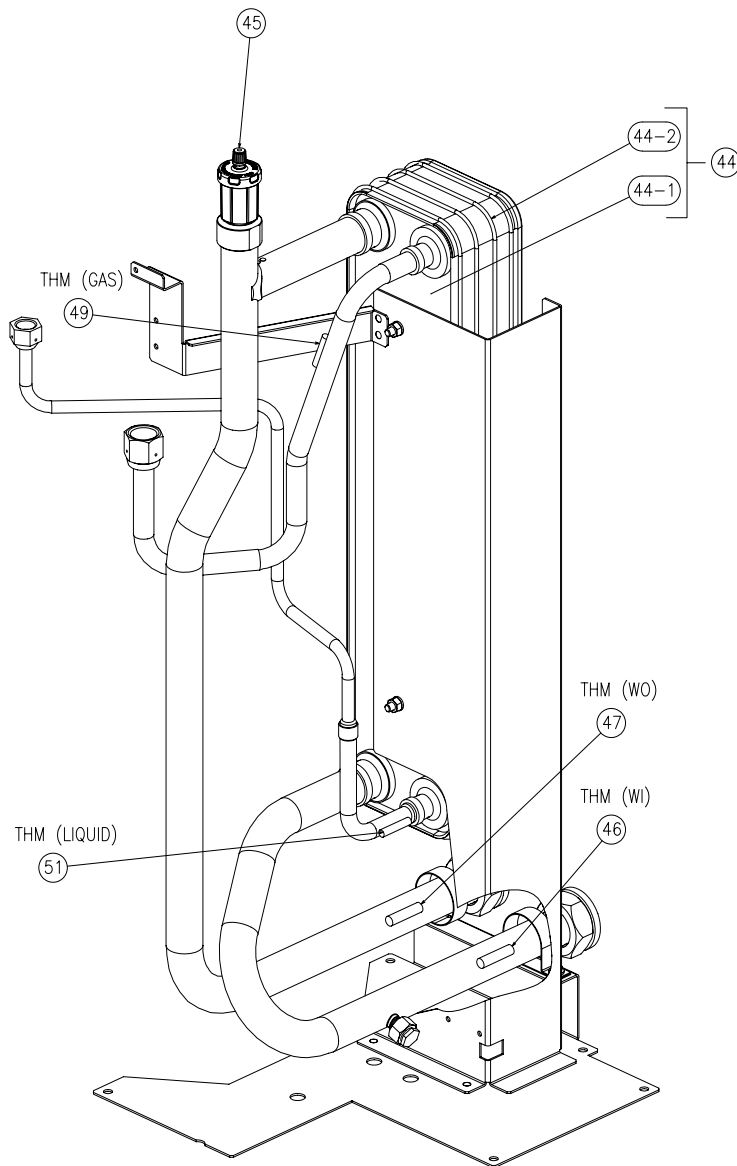
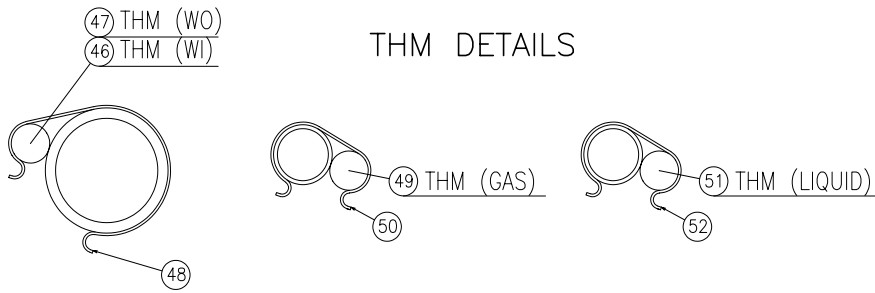
DETAIL OF 17

DETAIL OF 16

THM DETAILS

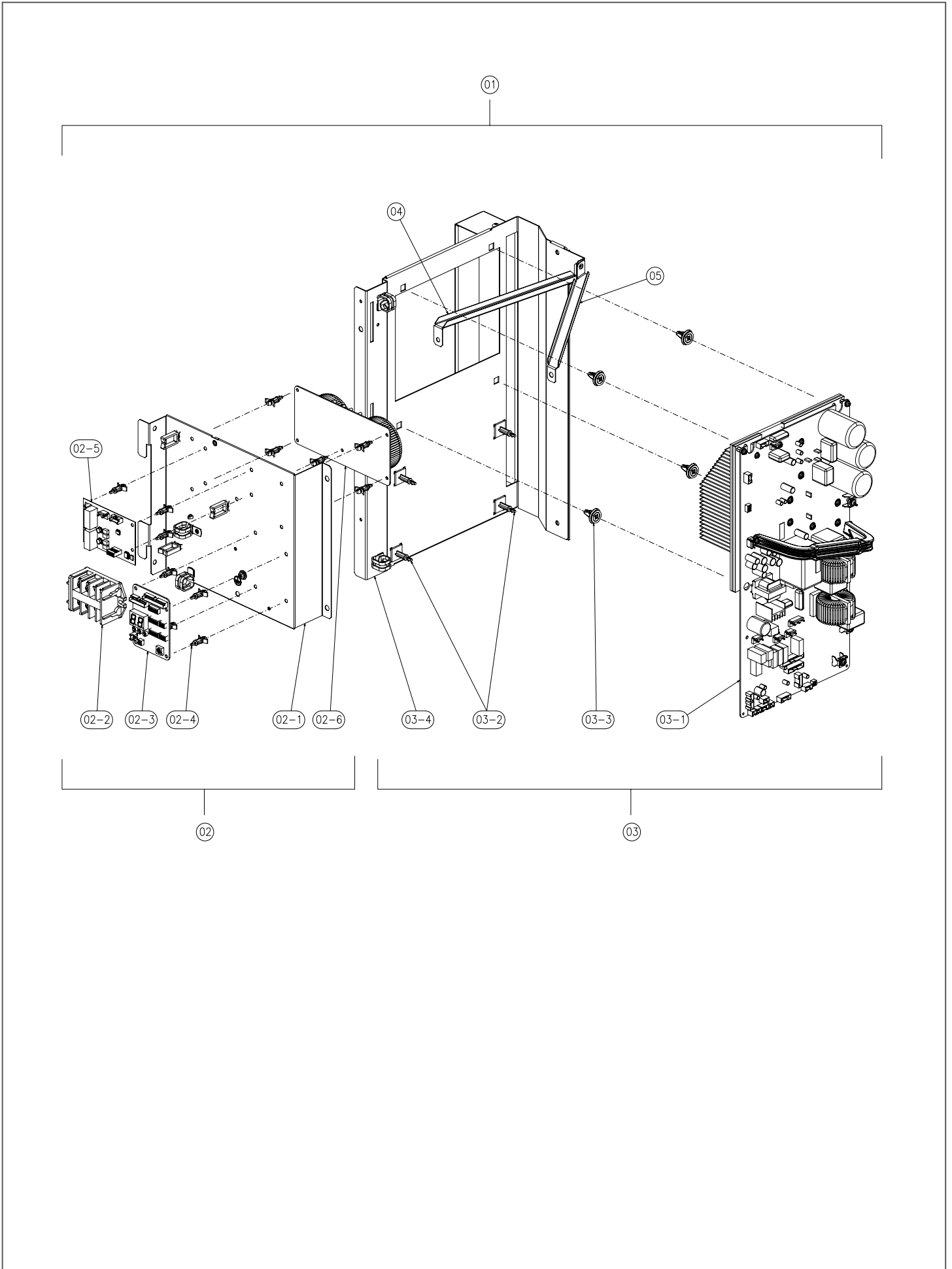


THM DETAILS



DETAIL OF HYDRAULIC CYCLE

No.	DESCRIPTION	DWG No.	PART No	MODEL NAME			REMARKS
				RASM-4VRW1E, 1 ~ 230V 50Hz	RASM-5VRW1E, 1 ~ 230V 50Hz	RASM-6VRW1E, 1 ~ 230V 50Hz	
				PRODUCT CODE			
				7E352020	7E352021	7E352022	
1	Electrical Box	XEK01859B	1000011424	1	1	1	Assembly
2	E-Box PCB Unit	XEK13330B	1000011431	1	1	1	Assembly
2-1	E-Box PCB Plate	XEK13316A	E06676	1	1	1	Assembly
2-2	Terminal Board	X17C74177A	17C74177A	1	1	1	
2-3	DSW PCB	H7C05657A	H7C05657A	1	1	1	
2-4	Spacer	XEK30992B	XEK30992B	13	13	13	
2-5	Fan PCB Assy	XEK13085A	XEK13085A	1	1	1	
2-6	Reactor	XEK26672A	E06457	1	1	1	
3	E-Box INV Unit	XEK13470A	1000011434	1	1	1	Assembly
3-1	PCB	-	1000010704	1	1	1	
3-2	Spacer	XEK51615A	E06448	4	4	4	
3-3	Plastic Nut	XEK51617A	E06449	4	4	4	
3-4	Plate INV Assy	XEK51807A	E06407	1	1	1	
4	E-Box Upper Support	XEK51785A	XEK51785A	1	1	1	
5	Support Ebox	XEK52965A	XEK52965A	1	1	1	



No.	DESCRIPTION	DWG No.	PART No	MODEL NAME								REMARKS	
				Qty	Qty	Qty	Qty	Qty	Qty	Qty	Qty		
				PRODUCT CODE									
				RASM-4VRW1E, 1~ 230V 50Hz	7E352020								
				RASM-5VRW1E, 1~ 230V 50Hz	7E352021								
				RASM-6VRW1E, 1~ 230V 50Hz	7E352022								
				RASM-4RW1E, 3N~ 400V 50Hz	7E352120								
				RASM-5RW1E, 3N~ 400V 50Hz	7E352121								
				RASM-6RW1E, 3N~ 400V 50Hz	7E352122								
				RASM-7RW1E, 3N~ 400V 50Hz	7E352159								
1	Electrical Box	XEK01863B	1000011428	1	1	1	1	1	1	1	1	Assembly	
2	E-Box	XEK12712B	XEK12712B	1	1	1	1	1	1	1	1		
3	PCB	XEK52789F	1000011412	1	1	1	1	1	1	1	1		
4	Spacer	XEK34315A	XEK34315A	12	12	12	12	12	12	12	12		
5	Harness Lifter	X17G37442A	17G37442A	3	3	3	3	3	3	3	3		
6	Edge-Saddle	X17G05481A	17G05481A	2	2	2	2	2	2	2	2		

