

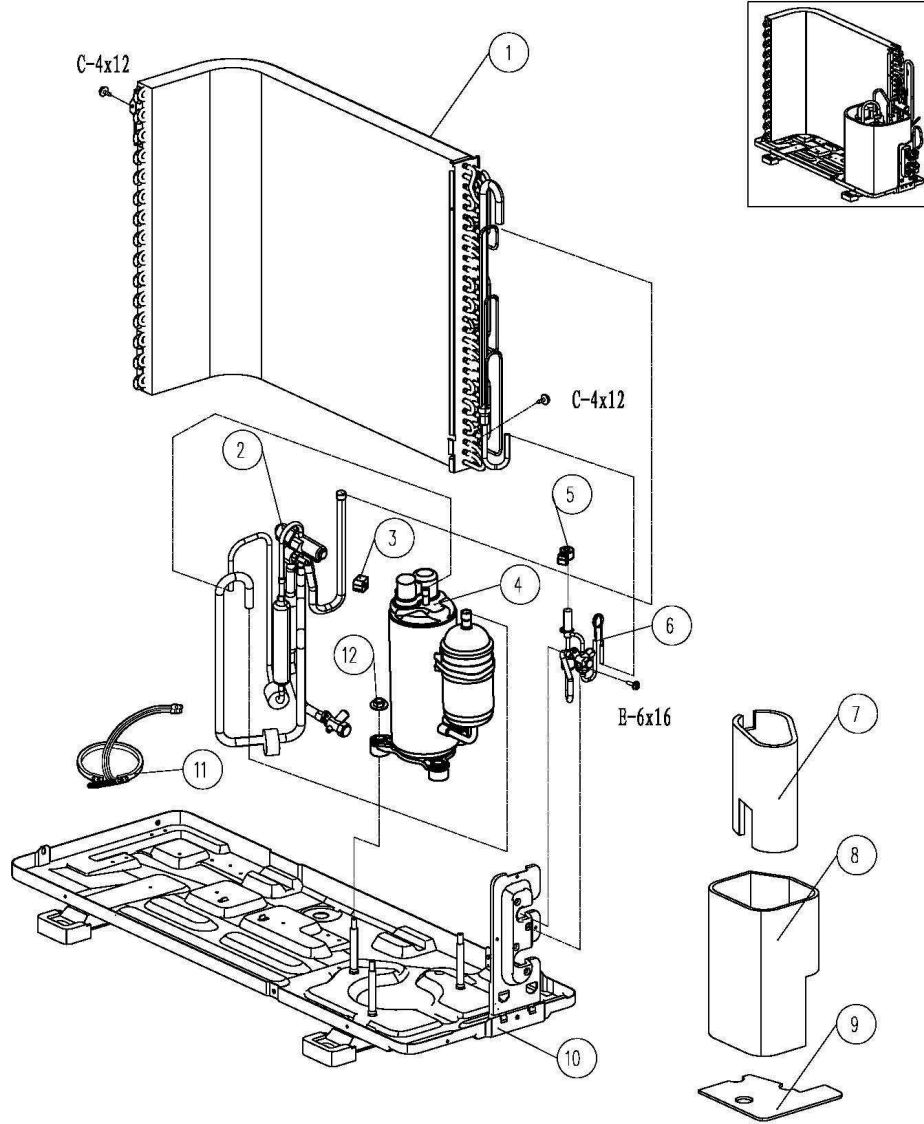
A	Trim Head Tapping Screw		D	Fan Head Tapping Screw	
B	Bolt/Washer Combinations		E	Hex Flange Self-tapping Screws	
C	Hexagon Head Tapping Screw		F	Nut	

NOTE:  
The unchromated coating is applied to iron and steel material for the unspecified materials of the bolt and screw.

NOTE:  
The parts without order number are the custom-ordered, and these are not mentioned in the price list. When ordering them, the part name and the drawing number are required. Contact your distributor for the delivery date and price about them.

Hitachi-Johnson Controls Air Conditioning, Inc.

1	S1916170	Fan Guard	1
2	S1972400	PANEL	1
3	S1263647	Hex Flange Nut	1 M10
4	S1559520	Propeller Fan Blade	1
5	S1803035	Axis Sheath	4
6	S1554434	DC Motor	1
8	S1834430	Connecting Board	1
9	S1961485	UPPER BOARD	1
10	S1947338	Back Guard	1
12	S1302261	PFC Inductance	1
14	S1936353	Wiring Distribution Cover	1
15	S1916872	Valve Cover	1
16	S1546721	Sensor Mounting Plate	1



A	Tri-Head Tapping Screw		D	Pin Head Tapping Screw	
B	Bolt/Washer Combinations		E	Hex Flange Self-Tapping Screws	
C	Hexagon Head Tapping Screw		F	Nut	

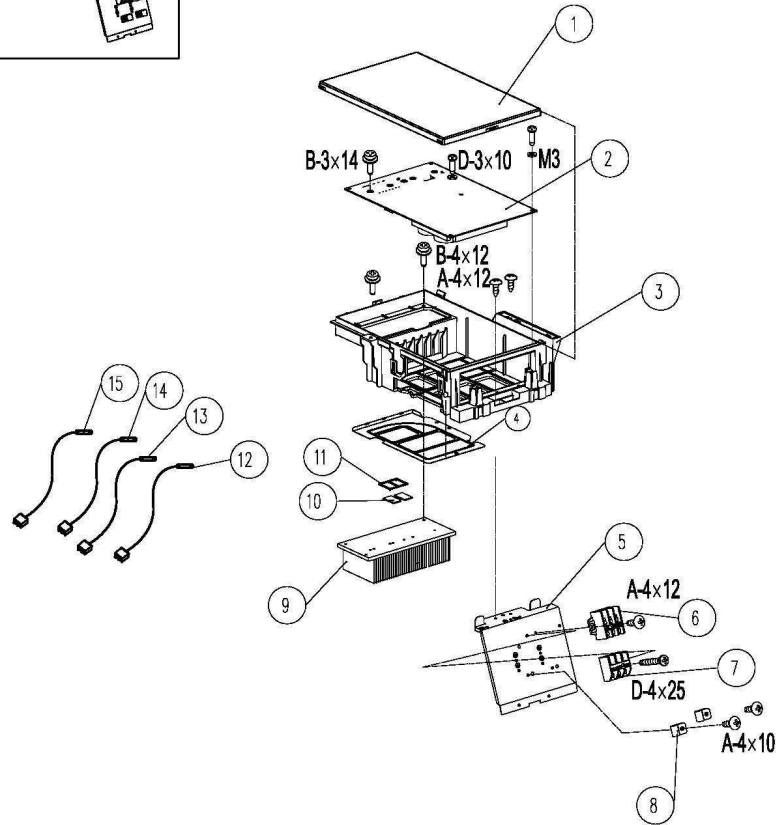
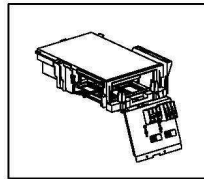
NOTE:  
The unchromated coating is applied to iron and steel material for the unspecified materials of the bolt and screw.

NOTE:  
The parts without order number are the custom-ordered, and these are not mentioned in the price list. When ordering them, the part name and the drawing number are required. Contact your distributor for the delivery date and price about them.

Hitachi-Johnson Controls Air Conditioning, Inc.

3	S1511783	Four-way Valve Coil	1	
5	S1848625	Electronic Expansion Valve Coil	1	
11	S1876827	Electric Heating Belt	1	
12	S1203995	Hex Nuts	3	M10

<Electrical Parts>



A	Truss Head Tapping Screw		D	Pan Head Tapping Screw	
B	Bolt/Washer Combinations		E	Hex Flange Self-Tapping Screws	
C	Hexagon Head Tapping Screw		F	Nut	

NOTE:  
The unchromated coating is applied to iron and steel material for the unspecified materials of the bolt and screw.

NOTE:  
The parts without order number are the custom-ordered, and these are not mentioned in the price list. When ordering them, the part name and the drawing number are required. Contact your distributor for the delivery date and price about them.

Hitachi-Johnson Controls Air Conditioning, Inc.

1	S1960383	Electric Box Cover	1
4	S1940415	Electric Box	1
5	S1924933	Connecting Board	1
6	S1304193	Wire Terminal Board	1
7	S1301881	Wire Terminal Board	1
9	S1960005	Radiator	1
10	S1440764	Insulative Spacer Block	2
11	S1487330	Mounting Plate	1
12	S1822633	Temperature Sensor	1
13	S1837502	Temperature Sensor	1
14	S1902101	Temperature Sensor	1
15	S1837499	Temperature Sensor	1