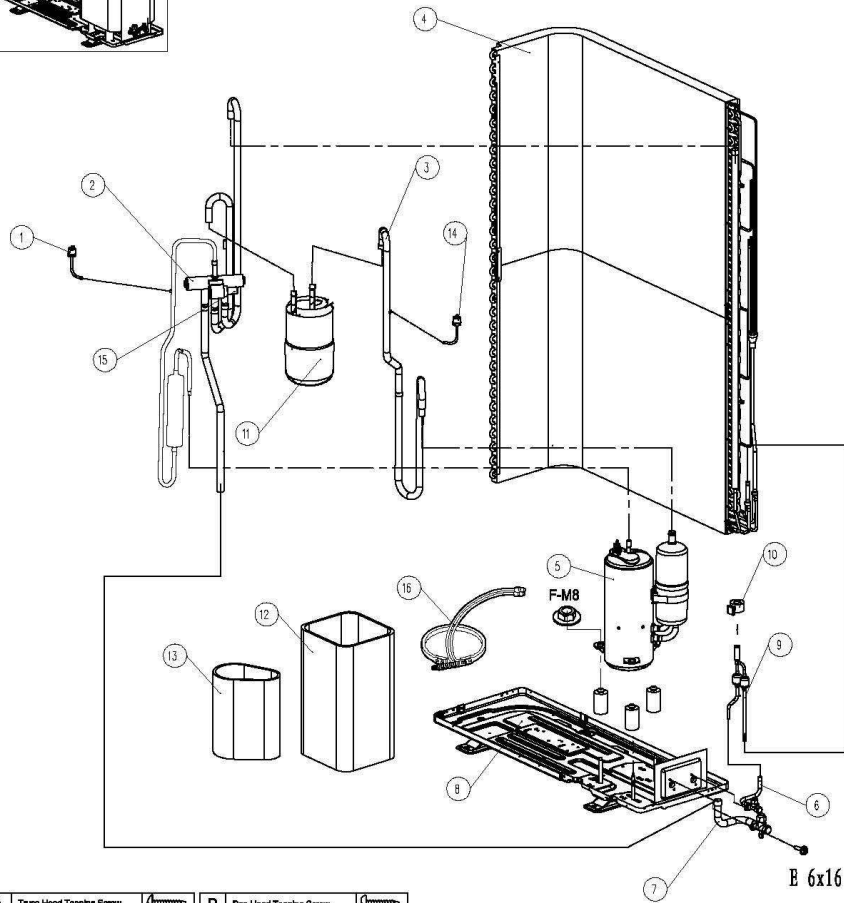
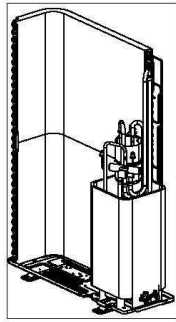


A	Triax Head Tapping Screw		D	Pin Head Tapping Screw	
B	Bolt/Washer Combinations		E	Hex Flange Self-tapping Screws	
C	Hexagon Head Tapping Screw		F	Nut	

NOTE: The unchromated coating is applied to iron and steel material for the unspecified materials of the bolt and screw.

1	S1947341	Guard Filter	1	
2	S1400459	Top Plate	1	
4	HIS1424843	Mounting Plate	1	
5	S1947342	Left Guard	1	
6	S1421124	DC Motor	1	Up
7	S1464268	DC Motor	1	Down
8	S1899961	Propeller Fan Blade	2	
9	S1202703	Handle	3	
10	S1927879	Fan Guard	2	
11	S1928329	Panel	1	
12	S1424733	Panel	1	
13	S1928337	Valve Cover	1	
14	S1477609	Side Panel	1	
15	S1464296	PFC Inductor	1	

<Refrigerant Cycle>



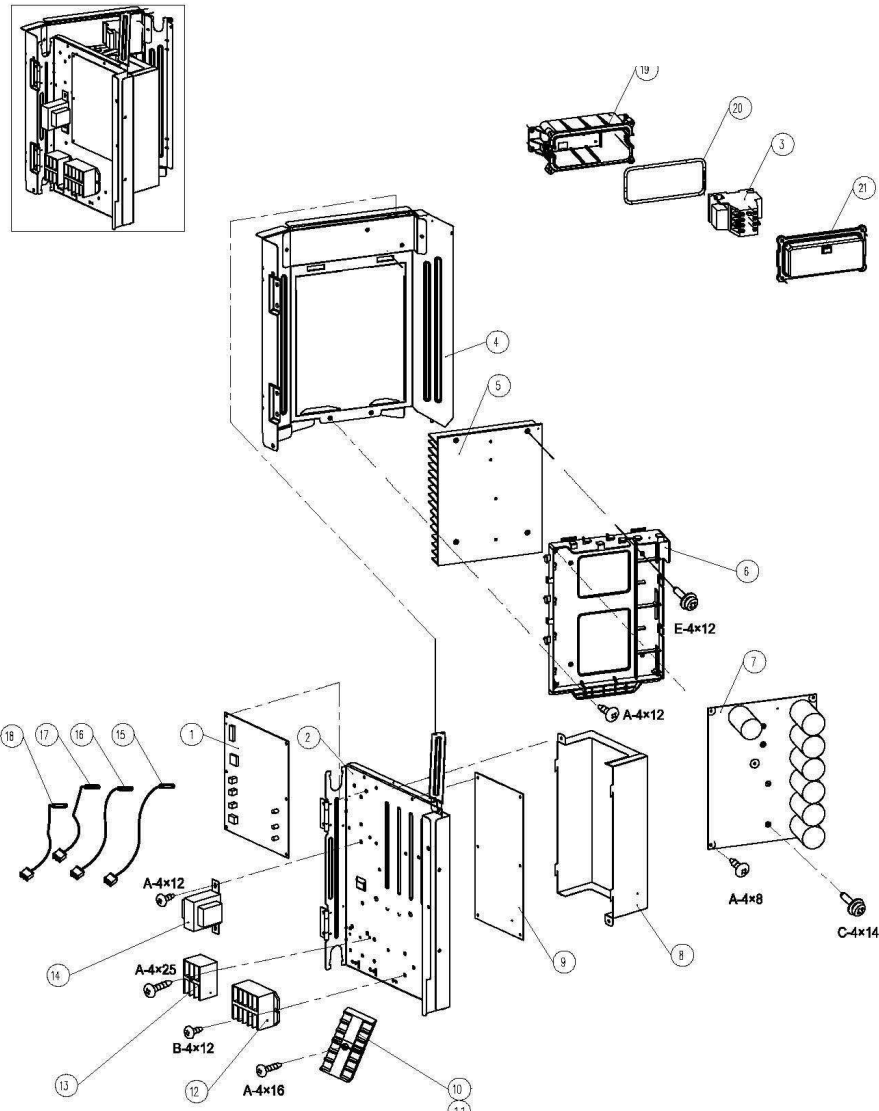
A	Truss Head Tapping Screw		D	Pan Head Tapping Screw	
B	Bolt/Washer Combination		E	Hex Flange Self-tapping Screws	
C	Hexagon Head Tapping Screw		F	Nut	

**NOTE:**  
The unchromated coating is applied to iron and steel material for the unspecified materials of the bolt and screw.

3	S1930372	Suction Tube	1	
6	S1930316	Stop Valve	1	
7	S1839787	Stop Valve	1	
9	S1930387	Electromagnetic Expansion Valve	1	
10	S1482344	Electromagnetic Expansion Valve Coil	1	
11	S1325923	Gas-Liquid Separator	1	
14	S1820199	Pressure Switch-LP	1	LP
15	S1302932	Four-way Valve Coil	1	
16	S1391303	Crankcase Heater	1	

<Electrical Parts>

RAS-6.0UFESNH1



A	Truss Head Tapping Screw		D	Pan Head Tapping Screw	
B	Bolt/Washer Combinations		E	Hex Flange Self-tapping Screws	
C	Hexagon Head Tapping Screw		F	Nut	

NOTE:  
The unchromated coating is applied to iron and steel material for the unspecified materials of the bolt and screw.

3	S1326391	AC Contactor	1	
4	S1464281	Mounting Plate	1	
6	S1464284	Mounting Plate	1	
9	S1464275	Filter Board	1	
10	S1327399	Fuse Base	2	
11	S1454452	Fuse	2	
12	S1507431	Wire Terminal Board	1	
13	S1301881	Wire Terminal Board	1	
14	S1483085	Linear Transformer	1	
15	S1395042	Temperature Sensor	1	White
16	S1421856	Temperature Sensor	1	Black
17	S1464346	Temperature Sensor	1	White
18	S1902722	Temperature Sensor	1	Yellow
1	S1993195	MAIN CONTROL PANEL	1	
7	S1993355	Driver Board	1	