

No.	DESCRIPTION	DWG No.	PART No.	MODEL NAME		REMARKS
				RASM-2VRE, 1~ 230V 50Hz	RASM-3VRE, 1~ 230V 50Hz	
				PRODUCT CODE	7E351016	7E351026
				Qty	Qty	
1	-	-	-	-		
2	Front Cover	17B47092A	P30650	1		
3	Air Grille	17A25315A	P30651	1		
4	-	-	-	-		
5	Side Cover R	17F21452A	P31308	1		
		17F21452C	P31318		1	
6	Side Cover L	17A25317D	P30654	1		
7	Fan Motor	17F12771B	P30659	1		
8	Propeller Fan	17A25307A	P30661	1		
9	Special Nut	17B38717A	P27456	1		For Propeller Fan
10	Bottom Base Assy	17B47094A	P30666	1		
		17B49115A	-		1	
11	Compressor	17F25608A	P32089	1		
		17F25608B	P32090		1	
12	Crankcase Heater	17A28978A	P32087	1		
		17A28979A	P32088		1	
13	Vibration Absorber	17G89712A	P27461	3		
14	Rubber Cap	17C90956A	P27462	1		
		17B49116A	P31519		1	
15	Special Nut	17G89713A	P27463	2		
16	C-Cover Assy	17C91217D	P30668	1		
		17C91217E	P31520		1	
17	Heat Exchanger	17B47091A	P30669	1		
		17B47091G	P31522		1	
18	Accumulator	17B47101A	P30673	1		
19	Reversing Valve	17B48213A	P30963	1		
20	Coil	17B50474A	P32086	1		For Reversing Valve
21	Pressure Switch	17C83435A	P26839	1		High Pressure
22	Pressure Switch	17F25607A	P32085	1		For Control
23	Check Joint	17F17126A	P30680	1		
24	Expansion Valve	17B47097A	P30683	1		
		17F04642A	P30954		1	

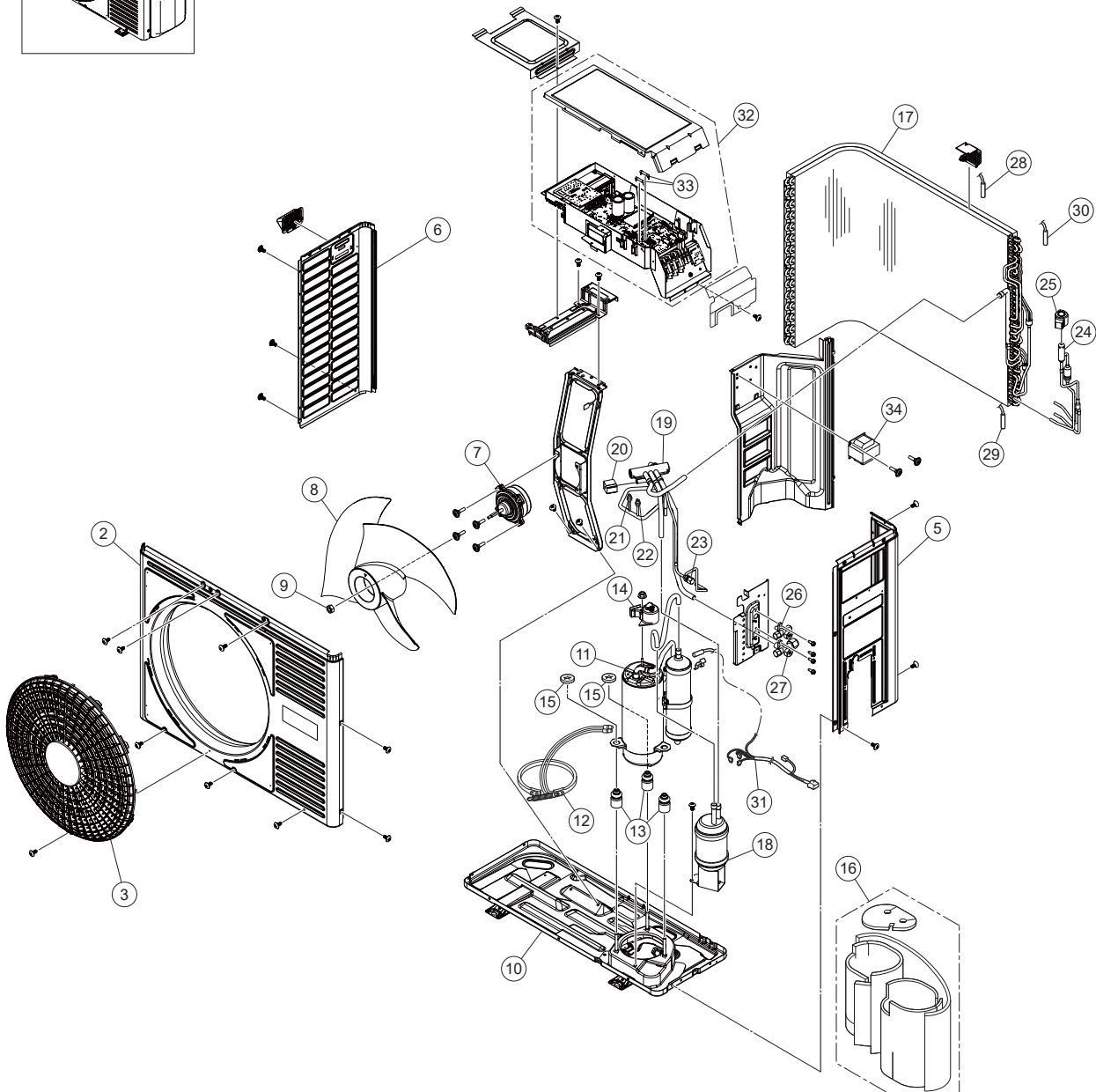
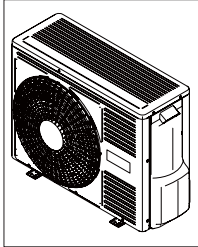
PRODUCT
CODE

MODEL NAME

7E351016	RASM-2VRE, 1~230V 50Hz
7E351026	RASM-3VRE, 1~230V 50Hz

No.	DESCRIPTION	DWG No.	PART No.	Qty	Qty	REMARKS
25	Coil	17F17129A	P30685	1		For Expansion Valve
26	Stop Valve	17F17122A	P30688	1		Liquid Line
		17F17123A	P30687		1	
27	Stop Valve	17F17124A	P30686	1		Gas Line
		17F17125A	P30689		1	
28	Thermistor	17B47099A	P30691	1		TA
29	Thermistor	17F17131A	P30692	1		TE
30	Thermistor	17F17132A	P30693	1		TB
31	" Thermistor with Comp. Harness"	17C90955A	P27474	1		TD with Comp. Harness
		17C90955B	P31532		1	
32	Electrical Box Assy	17H37357B	P32052	1		
		17H37357A	P31960		1	
33	Fuse	17A19127A	P27478	2		3A
34	Reactor	17A18986A	P27482	1		

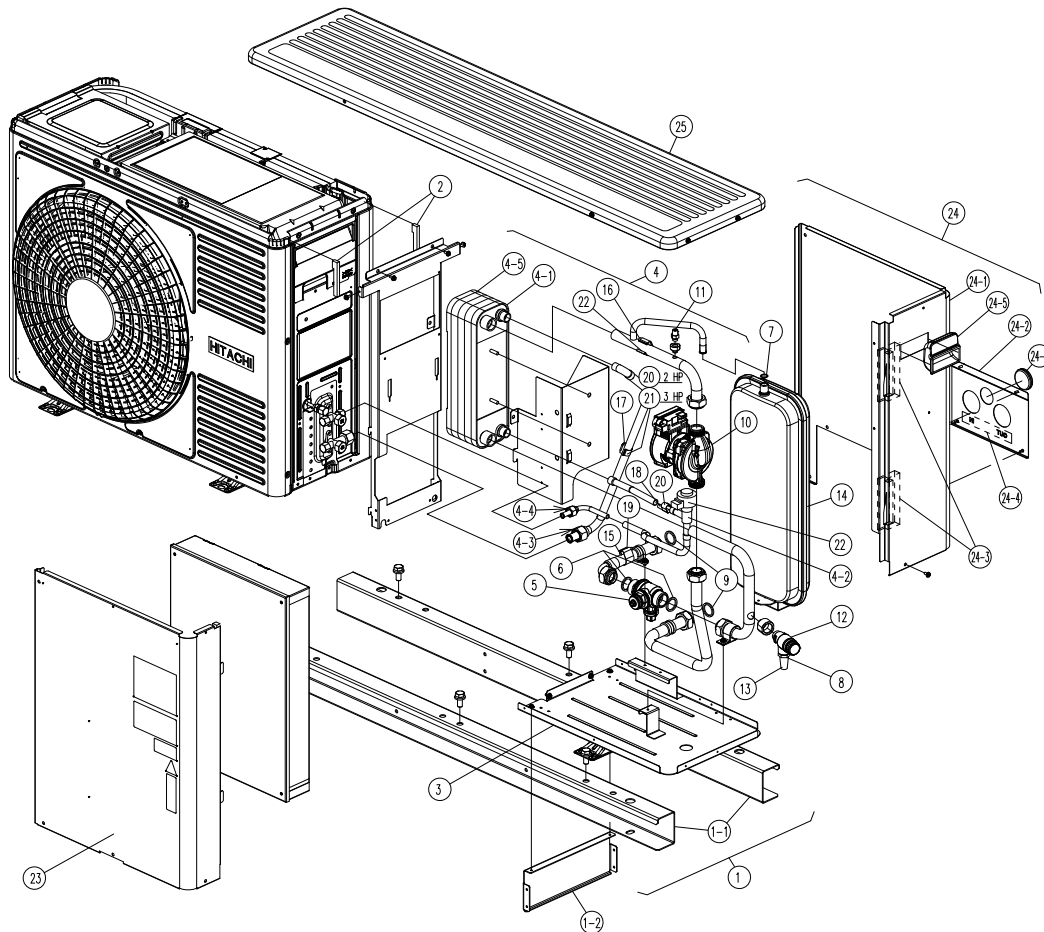
Outdoor Unit >



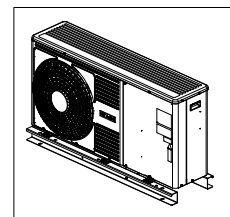
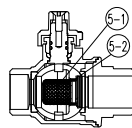
No.	DESCRIPTION	DWG No.	PART No.	MODEL NAME		REMARKS
				RASM-2VRE; 1 ~ 230V 50HZ	RASM-3VRE; 1 ~ 230V 50HZ	
				PRODUCT CODE		
				7E351016	7E351026	
1	Frame Assy	XEK26774 A	E06261	1	1	
1-1	Frame	XEK26773 A	E06269	2	2	
1-2	Frame 2	XEK51893 A	E06280	1	1	
2	Packing	XEK51916 A	E06282	2	2	
3	Base Assy	XEK51896 A	E06281	1	1	
4	PHEX Unit	XEK26771 A	E06267	1		
	PHEX Unit	XEK26772 A	E06268		1	
4-1	Plate HEX	XEK26315 A	E06195	1		
	Plate HEX	XEK26315 C	E06266		1	
4-2	Expansion valve	X17F04391 A	E03076	1		
	Expansion valve	X17F04392 A	E03077		1	
4-3	Flare Nut	25JR1300	E02776	1		Gas connection
	Flare Nut	25JR1700	E02490		1	Gas connection
4-4	Flare Nut	25JR0600	E02936	1		Liquid connection
	Flare Nut	25JR0900	E02489		1	Liquid connection
4-5	Water Heater	XEK39021 A	E04609	1	1	
5	Filter Ball	XEK25346 A	E04897	1	1	Body + Mesh + Gasket
5-1	Mesh	XEK39398 A	E04898	1	1	
5-2	Seeger	XEK39399 A	E04899	1	1	
6	Gasket	XEK36397 A	E02528	2	2	for Water Filter
7	Gasket	XEK36144 A	E02497	1	1	for Exp. Vessel
8	Gasket	XEK36144 D	E04873	1	1	for Union
9	Gasket	XEK36144 B	E03832	4	4	for Water IN/OUT (1") / Pump
10	Pump	XEK26262 A	E04894	1	1	Gaskets (12) not included
11	Manual Air Purge	XEK39863 A	E05027	1	1	
12	Security Valve	XEK37800 A	E02475	1	1	
13	Union	XEK36303 A	E02507	1	1	for Security Valve drain connection
14	EXPANSION VESSEL (6 L)	XEK25338 A	E04893	1	1	
15	Thermistor Assy	XEK26809 A	E06271	1	1	THM WI (water in)
16	Thermistor Assy	XEK26809 B	E06272	1	1	THM WO (water out)
17	Thermistor Assy	XEK26809 C	E06273	1	1	THM G (Gas)
18	Thermistor Assy 2	XEK25399 H	E04906	1	1	THM L (Liquid)
19	P-Spring	X17G31457 D	E01193	2	2	For Water THM fixing

No.	DESCRIPTION	DWG No.	PART No.	MODEL NAME		REMARKS
				RASM-2VRE, 1~ 230V 50Hz	RASM-3VRE, 1~ 230V 50Hz	
				PRODUCT CODE		
				7E351016	7E351026	
20	P-Spring	X17G27651 B	E02549	2	2	For Liquid THM (2/3HP) Gas (2HP)
21	P-Spring	X17G27651 C	E02550		1	For Gas (3HP)THM fixing
22	Exp. Valve Coil	X17F04390 B	E03189	1	1	
23	Service Cover Assy	XEK26813 A	E06275	1	1	
24	Rear Cover S Assy	XEK26812 A	E06274	1	1	
24-1	Rear Cover	XEK01751 A	E06264	1	1	
24-2	Rear Cover S	XEK51831 A	E06277	1	1	
24-3	Packing	X17G85519 A	E06263	2	2	
24-4	OUT IN Label	XEK51923 A	E06283	1	1	
24-5	Handle	X17C71740 A	E01897	1	1	
24-6	Rubber Bushing	X17D12070 F	E01999	1	1	
25	Upper Cover Assy	XEK26815 A	E06276	1	1	

Hydraulic kit >



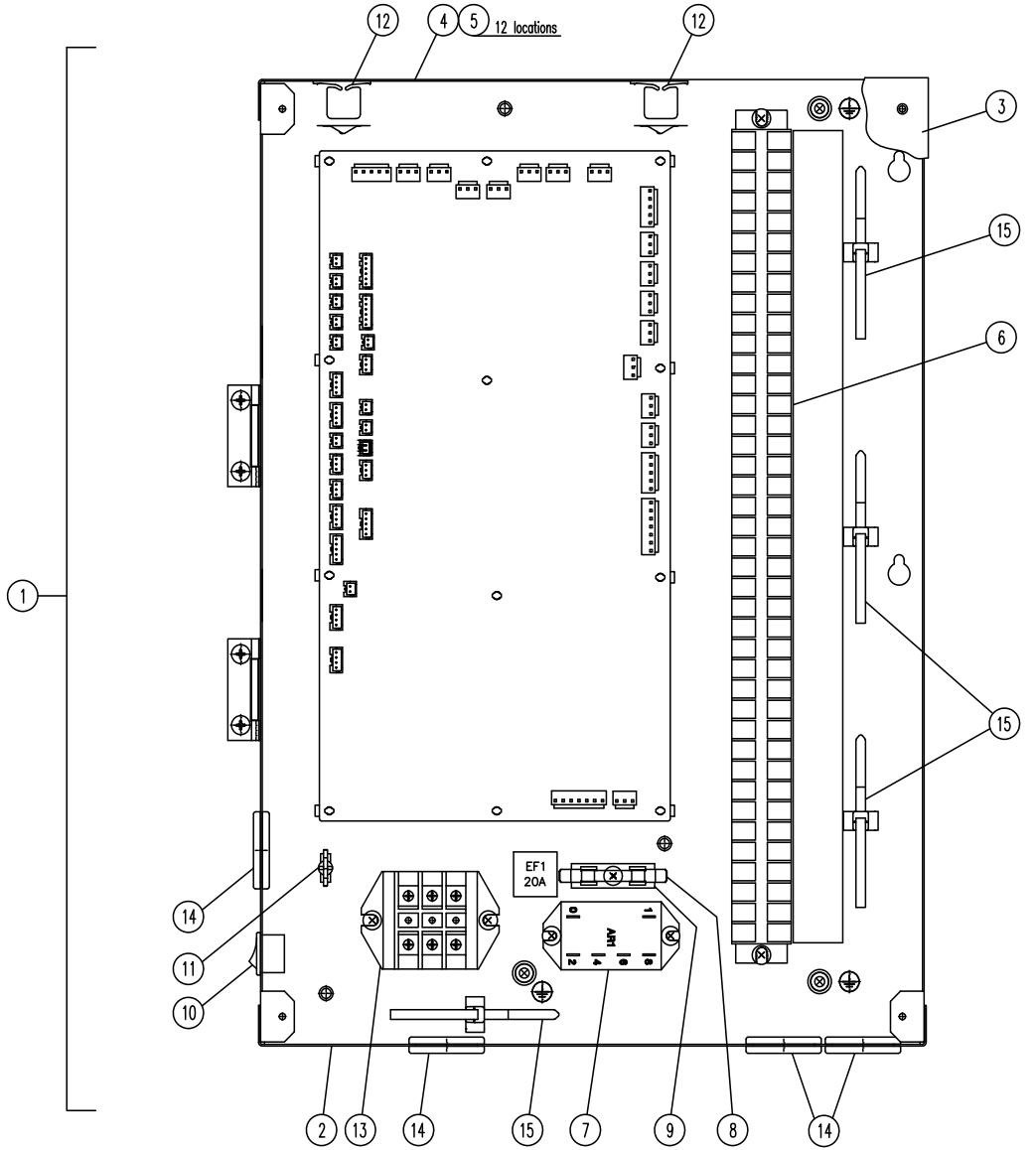
FILTER BALL (5) PARTS



MODEL NAME	RASM-2VRE	7E351016
	RASM-3VRE	7E351026

No.	DESCRIPTION	DWG No.	PART No.	Qty	Qty	REMARKS
1	E-Box	XEK01769 A	E06285	1	1	Assembly (Components + Harness)
2	E-Box SubAssy	XEK26781 A	E06286	1	1	Only plate (without components)
3	E-Box Cover	XEK26782 A	E06284	1	1	
4	Instruction Assy PCB	XEK51917 A	E04665	1	1	
5	Spacer	XEK34315 A	E01789	12	12	
6	Terminal Board	X17P00835 O	E04778	1	1	
7	Relay	XEK39261 A	E04779	1	1	
8	Fuse	XEK39253 D	E04782	1	1	
9	Fuse Holder	X17C68766 A	E02516	1	1	
10	Rocker Switch	XEK37911 A	E03828	1	1	
11	Harness Lifter	17G37442 A	E04783	1	1	
12	Edge-Saddle	17G05481 A	E04784	2	2	
13	Terminal Board	X17C69651 A	E01088	1	1	
14	Rubber Bush	XEK32468 A	E02060	4	4	
15	Clamp	XEK31150 A	E02012	4	4	

< E-box >



E-Box plate

