

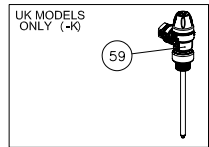
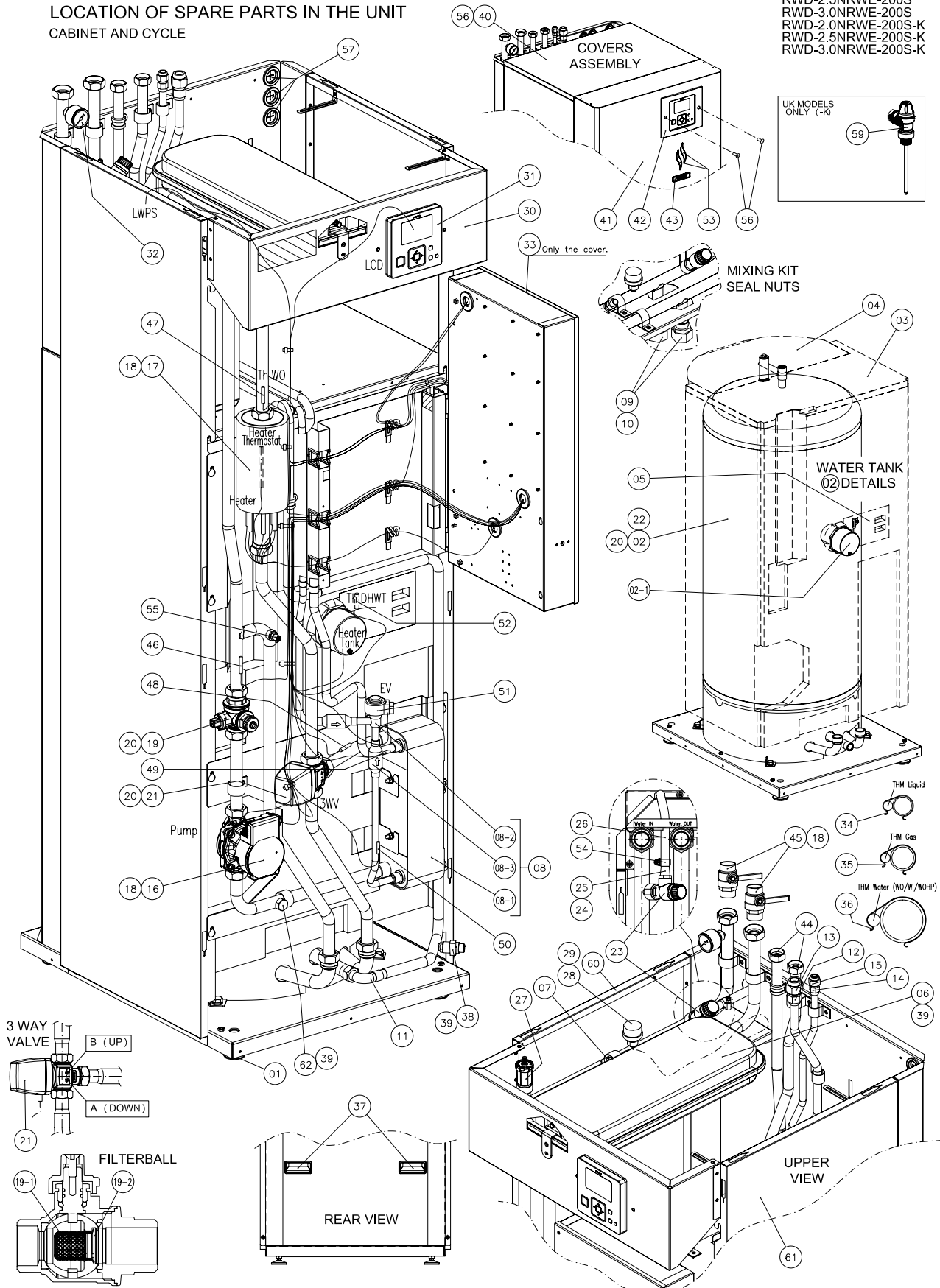
No.	DESCRIPTION	DWG No.	PART No.	MODEL NAME			REMARKS
				RWM-2.0NRE, 1~ 230V 50Hz	RWM-2.5NRE, 1~ 230V 50Hz	RWM-3.0NRE, 1~ 230V 50Hz	
				PRODUCT CODE			
				7E475203	7E475204	7E475205	
1	Electric Heater	XEK13028 A	E06153	1	1	1	
1-1	Surface Thermostat	XEK51313 A	E06159	1	1	1	
2	Air Purge	XEK50420 A	E06307	1	1	1	
3	Security Valve	XEK37800 A	E02475	1	1	1	
4	Gasket	XEK36144 D	E04873	1	1	1	for Union 5 to Security Valve connection.
5	Union	XEK36303 A	E02507	1	1	1	
6	Drain Pipe	XEK36103 A	E02546	1	1	1	
7	Pressure Switch	XEK51636 B	E06305	1	1	1	
8	Gasket	XEK39368 A	E05017	1	1	1	for Pressure Switch connection.
9	Phex Unit	XEK25408 A	E04996	1			Assembly.
9	Phex Unit	XEK25408 B	E04997		1		Assembly.
9	Phex Unit	XEK25408 C	E04998			1	Assembly.
9-1	Plate Hex	XEK25315 A	E04974	1			
9-1	Plate Hex	XEK25315 B	E04975		1		
9-1	Plate Hex	XEK25315 C	E04896			1	
9-2	Expansion Valve	X17F04391 A	E03076	1			
9-2	Expansion Valve	X17F04392 A	E03077		1	1	
9-3	Strainer	17G62700 A	P25041	2	2	2	
9-4	Union	27JR0609	E02935	1			Liquid connection.
9-4	Union	27JR0913	E02487		1	1	Liquid connection.
9-5	Union	27JR1717	E02488	1	1	1	Gas connection
9-6	Flare Nut	25JR0600	E02936	1			Liquid connection.
9-6	Flare Nut	25JR0900	E02489		1	1	Liquid connection.
9-7	Flare Nut	25JR1700	E02490	1	1	1	Gas connection
10	Gasket	XEK36144 B	E03832	8	8	8	for Pump, E-Heater and Shutdown Valves connections.
11	Gasket	XEK36397 A	E02528	2	2	2	for FilterBall connections.
12	Pump	XEK26262 A	E04894	1	1	1	
13	Filter Ball	XEK25346 A	E04897	1	1	1	
13-1	Filter	XEK39398 A	E04898	1	1	1	
13-2	Seeger	XEK39399 A	E04899	1	1	1	
14	Manometer	XEK39269 A	E05014	1	1	1	
15	Thermistor Assy	XEK26451 A	E04903	1	1	1	Water In THM.
16	Thermistor Assy	XEK26451 F	E04904	1	1	1	Water Out THM.

No.	DESCRIPTION	DWG No.	PART No.	MODEL NAME						REMARKS
				QTY	QTY	QTY	QTY	QTY	QTY	
				PRODUCT CODE						
				RWD-2.0NRWE-200S,1~ 230V 50Hz	RWD-2.0NRWE-200S-K,1~ 230V 50Hz	RWD-2.5NRWE-200S,1~ 230V 50Hz	RWD-2.5NRWE-200S-K,1~ 230V 50Hz	RWD-3.0NRWE-200S,1~ 230V 50Hz	RWD-3.0NRWE-200S-K,1~ 230V 50Hz	
				7E483042	7E483242	7E483043	7E483243	7E483044	7E483244	
1	Foot	XEK38993 A	E04869	4	4	4	4	4	4	
2	Water Tank 200L SC	-	E04966	1	1	1	1	1	1	(Water Tank + Instruction Sheet)
2-1	Tank Heater	XEK51792 A	E04088	1	1	1	1	1	1	(Tank Heater + Thermostat + O-Ring)
	O-Ring	XEK51544 A	E06116	1	1	1	1	1	1	(Only O-Ring for Tank Heater sealing)
3	Front Insulation	XEK12322 B	E04084	1	1	1	1	1	1	
4	Back Insulation	XEK12321 B	E04085	1	1	1	1	1	1	
5	Th Insulation	XEK24863 A	E04068	1	1	1	1	1	1	
6	Expansion Vessel (6 L)	XEK25338 A	E04893	1	1	1	1	1	1	
7	Flexible Pipe	XEK24724 G	E04048	1	1	1	1	1	1	for Vessel connection.
8	Phex Unit	XEK25517 A	E05007	1	1					Assembly.
8	Phex Unit	XEK25517 B	E05008			1	1			Assembly.
8	Phex Unit	XEK25517 C	E05009					1	1	Assembly.
8-1	Plate Hex	XEK25315 A	E04974	1	1					
8-1	Plate Hex	XEK25315 B	E04975			1	1			
8-1	Plate Hex	XEK25315 C	E04896					1	1	
8-2	Expansion Valve Assy	XEK39560 A	E05942	1	1					(Exp.Valve + Pipes + Strainers + Silencer)
	Expansion Valve	X17F04391 A	E03076	1	1					
8-2	Expansion Valve	X17F04392 A	E03077			1	1	1	1	
8-3	Strainer	17G62700 A	P25041	2	2	2	2	2	2	
9	Seal Nut	XEK37280 A	E04868	2	2	2	2	2	2	
10	Seal Gasket	XEK37498 B	E04871	2	2	2	2	2	2	for Seal Nut connection.
11	Union	XEK38176 A	E04073	1	1	1	1	1	1	
12	Union	27JR1717	E02488	1	1	1	1	1	1	Gas connection.
13	Flare Nut	25JR1700	E02490	1	1	1	1	1	1	Gas connection.
14	Union	27JR0609	E02935	1	1					Liquid connection.
14	Union	27JR0913	E02487			1	1	1	1	Liquid connection.
15	Flare Nut	25JR0600	E02936	1	1					Liquid connection.
15	Flare Nut	25JR0900	E02489			1	1	1	1	Liquid connection.
16	Pump	XEK26262 A	E04894	1	1	1	1	1	1	
17	E-Heater Unit	XEK26315 A	E06195	1	1	1	1	1	1	
18	Gasket	XEK36144 B	E03832	8	8	8	8	8	8	for Pump, E-Heater and Shutdown Valves connections.

No.	DESCRIPTION	DWG No.	PART No.	MODEL NAME						REMARKS		
				PRODUCT CODE	MODEL NAME	Qty	Qty	Qty	Qty		Qty	Qty
19	Filter Ball	XEK25346 A	E04897	7E483042	RWD-2.0NRWE-200S,1~ 230V 50Hz	1	1	1	1	1	1	
19-1	Filter	XEK39398 A	E04898	7E483242	RWD-2.0NRWE-200S-K,1~ 230V 50Hz	1	1	1	1	1	1	
19-2	Seeger	XEK39399 A	E04899	7E483043	RWD-2.5NRWE-200S,1~ 230V 50Hz	1	1	1	1	1	1	
20	Gasket	XEK36397 A	E02528	7E483243	RWD-2.5NRWE-200S-K,1~ 230V 50Hz	7	7	7	7	7	7	for FilterBall, 3-Way Valve and Tank Coil connections.
21	3 Way Valve	XEK37272 A	E03271	7E483044	RWD-3.0NRWE-200S,1~ 230V 50Hz	1	1	1	1	1	1	
22	Gasket	XEK36397 C	E04052	7E483244	RWD-3.0NRWE-200S-K,1~ 230V 50Hz	2	2	2	2	2	2	for Tank Water In/Out connections.
23	Security Valve	XEK37800 A	E02475			1	1	1	1	1	1	
24	Gasket	XEK36144 D	E04873			1	1	1	1	1	1	for Union to Security Valve connection.
25	Union	XEK36303 A	E02507			1	1	1	1	1	1	
26	Drain Pipe	XEK36103 A	E02546			1	1	1	1	1	1	
27	Air Purge	XEK38252 A	E04040			1	1	1	1	1	1	
28	Pressure Switch	XEK51636 C	E06306			1	1	1	1	1	1	
29	Gasket	XEK39368 A	E05017			1	1	1	1	1	1	for Pressure Switch connection.
30	Lcd Support	XEK26519 A	E06197			1	1	1	1	1	1	
31	Remote Controller Assy	XEK39322 A	E04960			1	1	1	1	1	1	
32	Manometer	XEK39269 A	E05014			1	1	1	1	1	1	
33	E-Box Cover Assy	XEK39518 A	E05021			1	1	1	1	1	1	Plate + Labels
34	P-Spring	17G27651 B	E02549			1	1	1	1	1	1	
35	P-Spring	17G27651 C	E02550			1	1	1	1	1	1	
36	P-Spring	17G31457 D	E01193			3	3	3	3	3	3	
37	Handle	X17C71740 A	E01897			2	2	2	2	2	2	
38	Mini Valve	XEK38297 A	E04069			1	1	1	1	1	1	
39	Gasket	XEK36144 A	E02497			3	3	3	3	3	3	for Mini Valve, Seal Nut and Vessel connections.
40	Upper Cover	XEK25533 A	E05013			1	1	1	1	1	1	
41	Service Cover Assy	XEK25531 A	E05012			1	1	1	1	1	1	Assembly.
42	Lcd Frame	XEK12635 A	E04955			1	1	1	1	1	1	
43	Yutaki Label	XEK39388 A	E04944			1	1	1	1	1	1	
44	Gasket	XEK36144 E	E04954			2	2	2	2	2	2	for DHWT In/Out connections.
45	Shutdown Valve	XEK39401 A	E05019			2	2	2	2	2	2	
46	Thermistor Assy	XEK26451 E	E04928			1	1	1	1	1	1	Water In THM.
47	Thermistor Assy	XEK26451 J	E04929			1	1	1	1	1	1	Water Out THM.

LOCATION OF SPARE PARTS IN THE UNIT
CABINET AND CYCLE

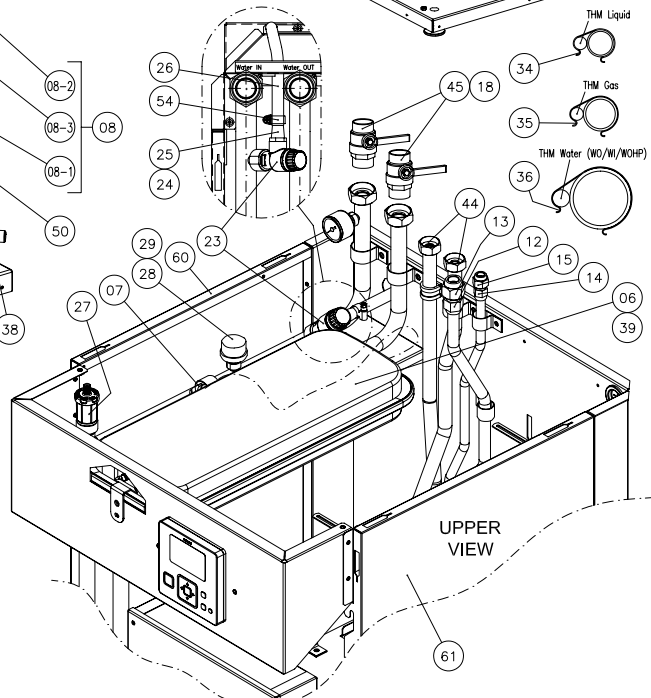
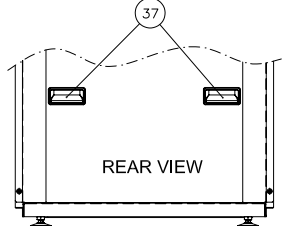
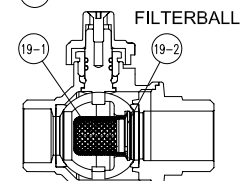
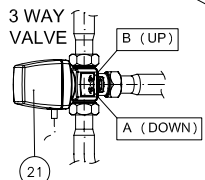
RWD-2.0NRWE-200S
RWD-2.5NRWE-200S
RWD-3.0NRWE-200S
RWD-2.0NRWE-200S-K
RWD-2.5NRWE-200S-K
RWD-3.0NRWE-200S-K



33 Only the cover.

MIXING KIT SEAL NUTS

WATER TANK
02 DETAILS



No.	DESCRIPTION	DWG No.	PART No.	MODEL NAME			REMARKS
				PRODUCT CODE	MODEL NAME	PRODUCT CODE	
				RWD-2.0NRWE-200S, 1~ 230V 50Hz	7E483042		
				RWD-2.0NRWE-200S-K, 1~ 230V 50Hz	7E483242		
				RWD-2.5NRWE-200S, 1~ 230V 50Hz	7E483043		
				RWD-2.5NRWE-200S-K, 1~ 230V 50Hz	7E483243		
				RWD-3.0NRWE-200S, 1~ 230V 50Hz	7E483044		
				RWD-3.0NRWE-200S-K, 1~ 230V 50Hz	7E483244		
No.	DESCRIPTION	DWG No.	PART No.	Qty	Qty	Qty	REMARKS
1	PCB	XEK51917 A	E04665	1	1	1	
2	Spacer	XEK34315 A	E01789	12	12	12	
3	Terminal Board	XEK34375 A	E02519	1	1	1	
4	Terminal Board	17P00835 O	E04778	1	1	1	
5	Relay	XEK39261 A	E04779	3	3	3	
6	Fuse	XEK39253 A	E04780	3	3	3	6,3A
8	Fuse	XEK39253 D	E04782	1	1	1	20A
9	Fuse Holder	X17C68766 A	E02516	4	4	4	
10	Rocker Switch	XEK37911 A	E03828	1	1	1	
11	Clamp	XEK31150 A	E02012	1	1	1	
12	Rubber Bush	XEK32468 A	E02060	9	9	9	
13	Thermostat	XEK39254 A	E04785	1	1	1	
14	Electrical Box	-	E06161	1	1	1	Assembly (Plate + Components + Harness)
16	E-Box SubAssy	XEK25401 A	E04791	1	1	1	Only plate (without components)

ELECTRICAL EQUIPMENT

