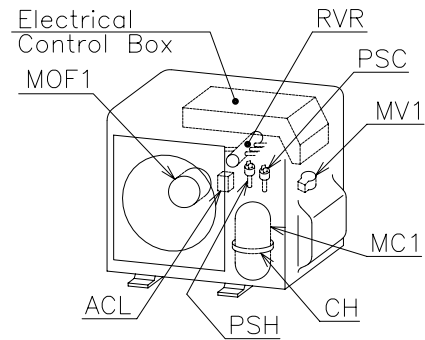
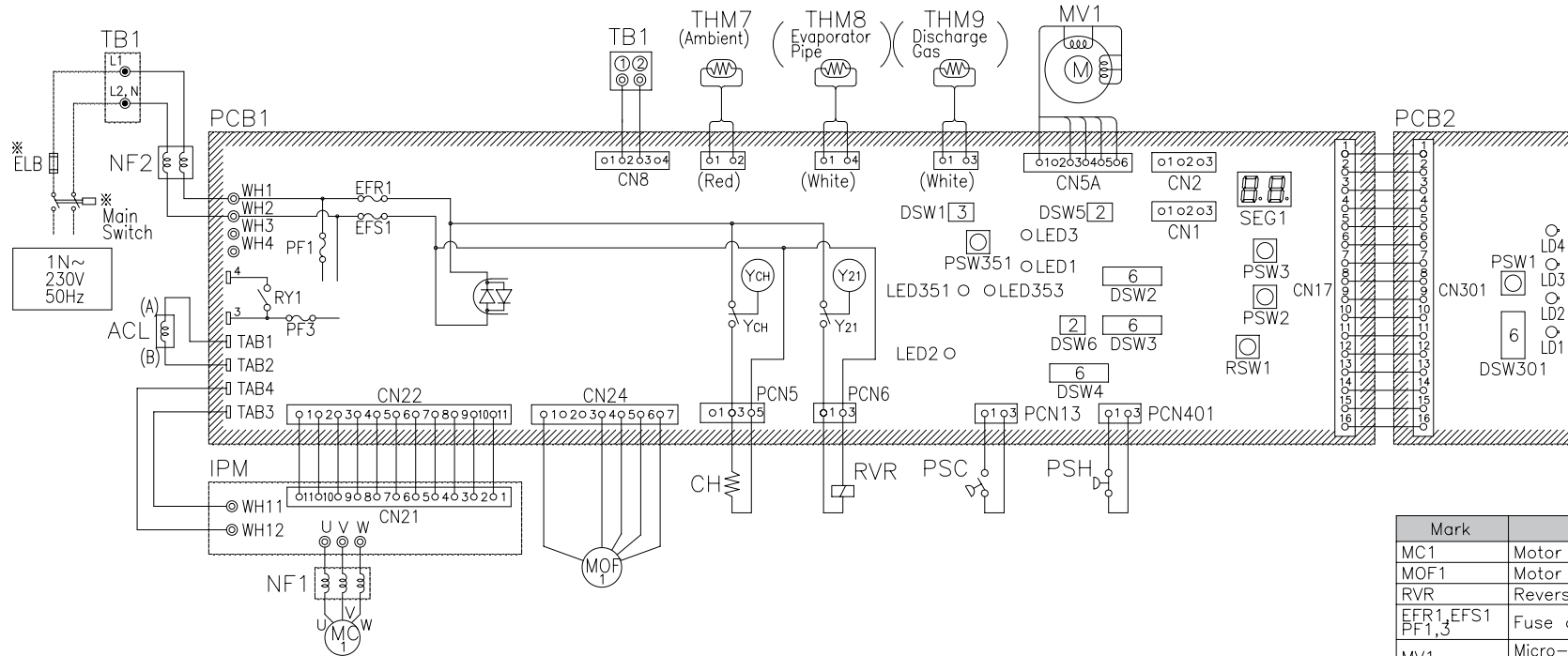
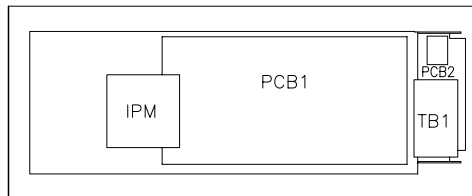


# SCHALTPLAN RAS-3HVRNS



Electrical Control Box



Mark	Name
MC1	Motor for Compressor
MOF1	Motor for Outdoor Fan
RVR	Reversing Valve Relay
EFR1, EFS1 PF1,3	Fuse on PCB
MV1	Micro-Computer Control Expansion Valve
TB1	Terminal Board
PCB1,2	Printed Circuit Board
THM7~9	Thermistor
PSH	High Pressure Switch for Protection
PSC	Pressure Switch for Control
CH	Oil Heater
ACL	Reactor
IPM	Inverter System Power Module
NF1,2	Noise Filter
PSW1~3,351 DSW1~6,301 RSW1	Setting Switch on PCB
SEG1	Indication Lamp for 7-Segment
LED1~3 LED351,353 LD1~4	Indication Lamp