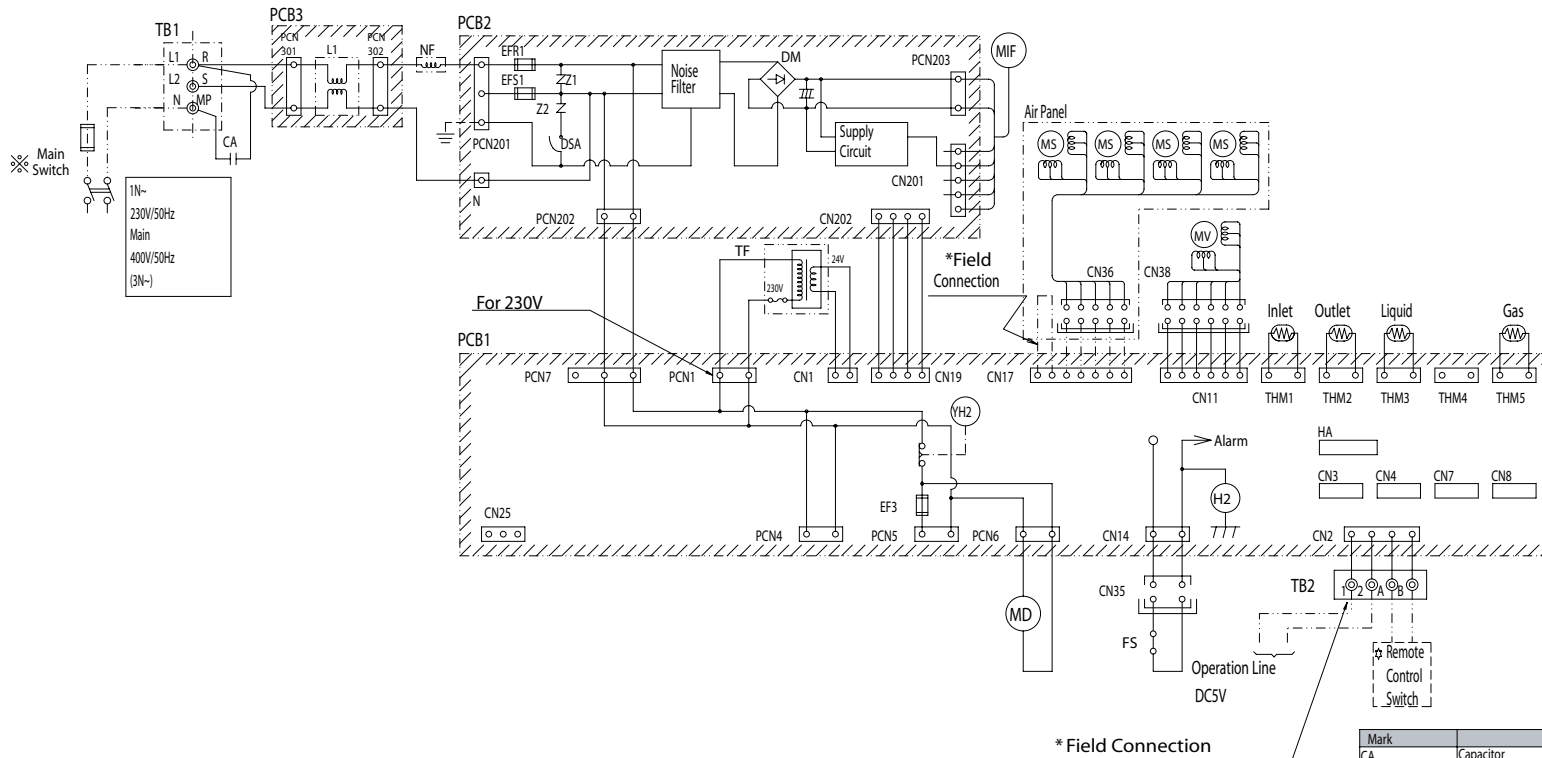
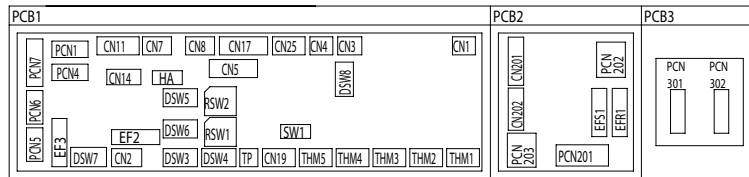


# SCHALTPLAN RCI-(1.0~6.0)FSn2E

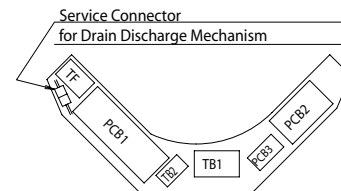


\* Field Connection

Printed Circuit Board



Electrical Control Box of Indoor Unit



Mark	Name
CA	Capacitor
CN1~202	Connector on PCB
CN27~38	Connector
DSW3,4,5,6,7	Dip Switch for Setting
DSW8	Not used
EF1,EF2,EF3	Fuse
FS	Float Switch
MD	Motor for Drain Discharge Mechanism
MIF	Motor for Indoor Fan
MS	Motor for Automatic Swing Louver
MV	Micro-Computer Control Expansion Valve
NF	Noise Filter
PCB 1,2,3	Printed Circuit Board
PCN 1~203	Connector on PCB
RSW1,2	Rotary Switch
TB1,2	Terminal Board
TF	Transformer
THM1~5	Thermistor
YH2	Relay on PCB
⊙	Terminals
—	Factory Wiring
- - -	Earth Wiring
- · - · -	Field Wiring
*	Field Connection
⊛	Field Supplied
⊕	Optional Parts