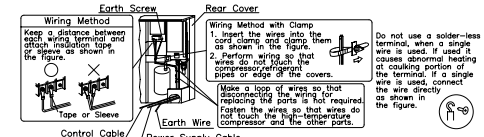
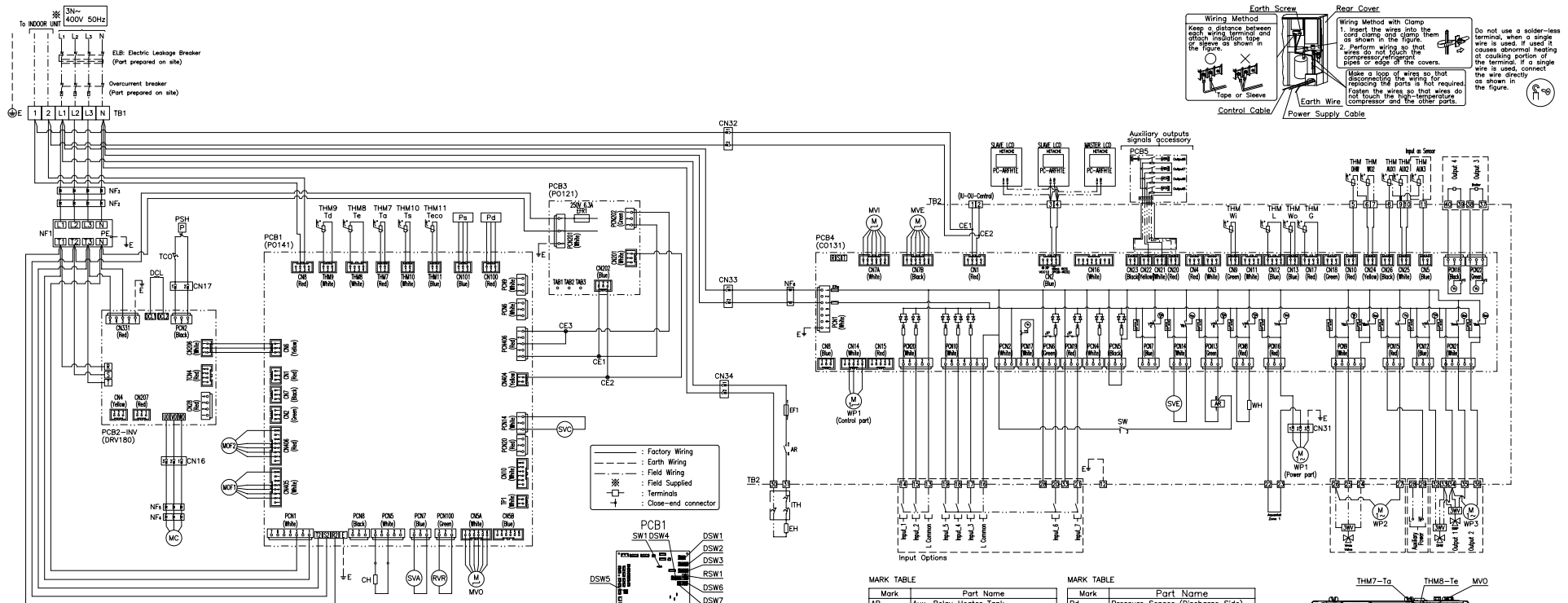
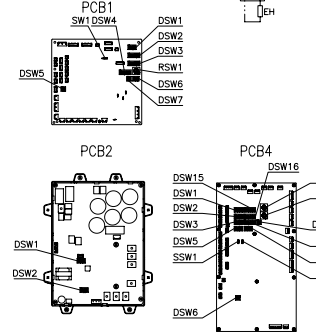
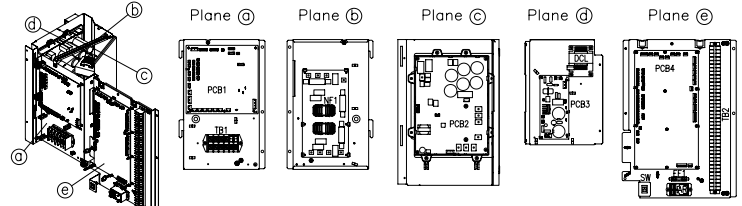


Schaltplan RASM-(4-7)R1E



Electrical Box Control



Factory Setting Position of Dip Switch

Model	PCB1							PCB2							PCB4								
	DSW1	DSW2	DSW3	DSW4	DSW5	DSW6	DSW7	RSW1	DSW1	DSW2	DSW1	DSW2	DSW3	DSW4	DSW5	DSW6	DSW7	DSW18	DSW15/DSW16	RSW1	RSW2	SSW1	SSW2
RASM-4R1E																							
RASM-5R1E																							
RASM-6R1E																							
RASM-7R1E																							

The side of the mark "■" indicates the dip switch position.

Mark	Part Name
AR	Aux. Relay Heater Tank
CE1-3	Terminating Connector
CH	Crank-case Heater
CN4-CN13-M	Aerial Connector
DCL	Reactor
DSW1-7	Dip Switch Setting of Refrigerant Cycle Module
DSW10-14-M	Dip Switch Setting of Water Cycle Module
E	Earth Wiring
EF1	Power Fuse for Compressor
EFa1	Fuse (PCB)
EH	Electric Heater (Tank)
ELB	Earth Leakage Breaker (☒)
ETH	Thermostat
MC	Electric Motor (for the Compressor)
MOF1-2	Electric Motor (for the Outdoor Fan)
MVE	Electronic Control Expansion Valve
MVO	Electronic Control Expansion Valve
NF1	Noise Filter (Printed Board)
NF2-4	Noise Filter (Ring Core)
PCB1-5	Printed Circuit Board

Mark	Part Name
Pd	Pressure Sensor (Discharge Side)
PS	Pressure Sensor (Suction Side)
PSH	High Pressure Breaker Device
RSW1	Dip Switch Setting of Refrigerant Cycle Module
RSW1-2	Dip Switch Setting of Water Cycle Module
RVR	Solenoid 4-Way Valve
SVA	Solenoid Valve
SVC	Solenoid Valve
SVE	Solenoid Valve
SW	Emergency Switch (DHW) E.Heater
SW1	Dip Switch Setting of Refrigerant Cycle Module
SSW1-2	Dip Switch Setting of Water Cycle Module
TB1-2	Terminal Board
TCO	Thermal Cut-Out
THMAux1-3	Auxiliary Thermistor
THMaw	DHW Water Thermistor
THMG	Gas Pipe Thermistor
THML	Liquid Pipe Thermistor
THMWI	Inlet Water Thermistor
THMWO	Outlet Water Thermistor
THMw2	Outlet C2 Water Thermistor
THM7-Ta	Ambient Thermistor
THM8-Te	Evaporation Thermistor
THM9-Td	Discharge Thermistor
THM10-Ts	Suction Thermistor
THM11-teco	Economizer Thermistor
WH	Frozen Prevention Heater for Piping
WP1-3	Water Pumps
SWVaw	3 Way Valve for DHW
SWVsw	3 Way Valve for SWP
SWVmw	3 Way Valve for Mixing Valve

