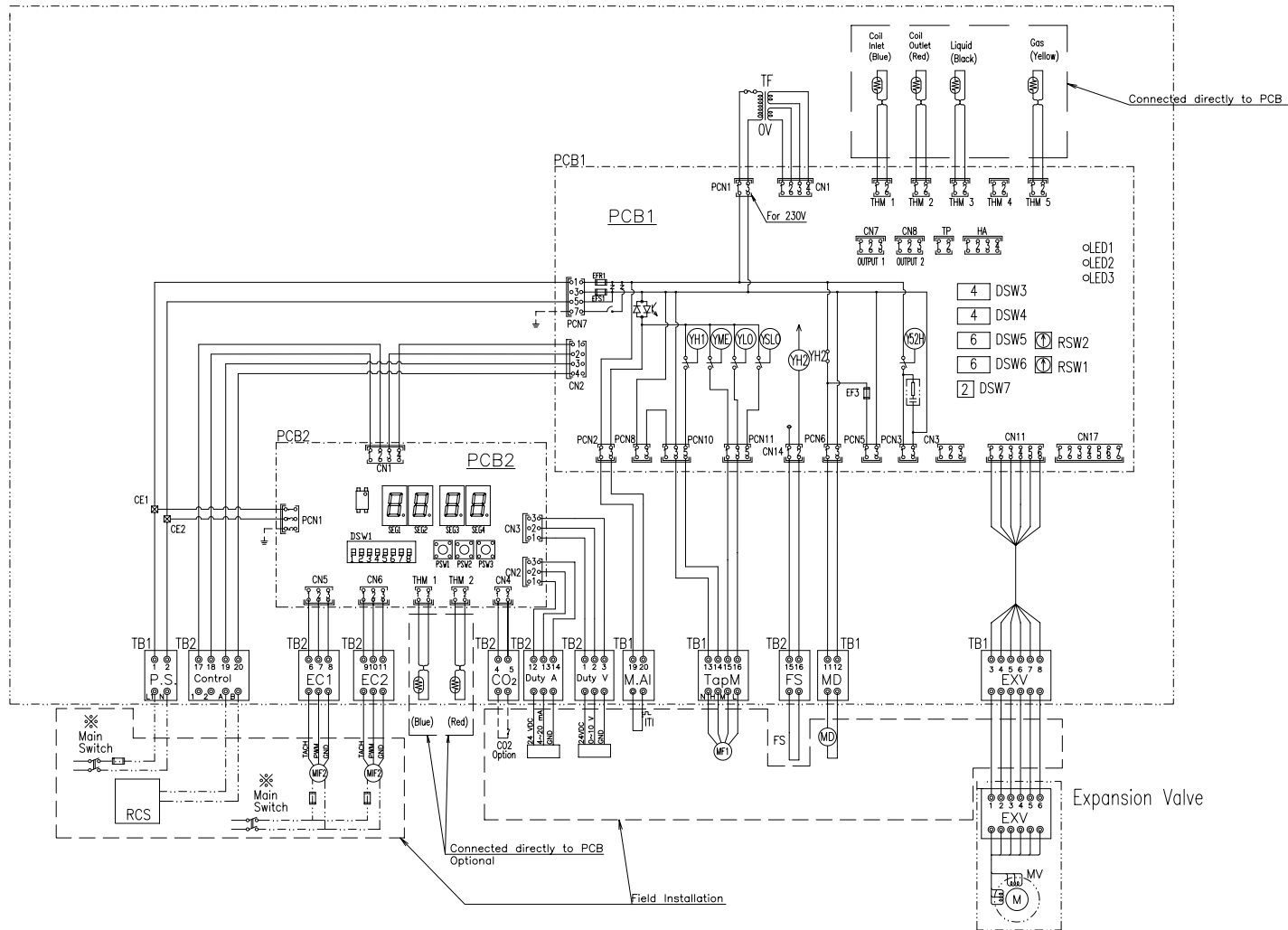


SCHALTPLAN EXV-(2.0-10.0)E1

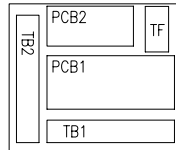
Mark Table

Mark	Part Name
CN _n	Connector
PCN	Power Connector
DSW _{1~n}	Dip Switch for Setting
EFR ₁	Fuse
LED _{1~n}	Alarm Code
PCB _{1,2}	Printed Circuit Board
RCS	Remote Control Switch
RSW _{1,2}	Rotary Switch for Setting
TB _{1,2}	Terminal Board
TF	Transformer
THM _{1~n}	Thermistor
YH ₂	Relay for Drain Motor
YH ₁	Relay for HI Fan Motor Tap
YME	Relay for ME Fan Motor Tap
YLO	Relay for LO Fan Motor Tap
YSLO	Relay for SLO Fan Motor Tap
Y52H	Relay for Electric Heater
SEG _{1~7}	Segment Display
PSW _{1~3}	Push Button Motor
MD	Drain Pump
DMP	Damper
MF ₁	Top Fan Motor
MF ₂	EC Fan Motor
MV	Expansion Valve
TI	Internal Thermostat for Indoor Fan Motor

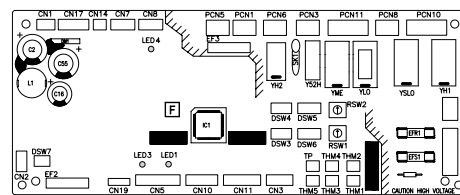
Control Box



Electrical Control Box for Dx-Kit2



PCB1 Sockets location



PCB2 Sockets location

