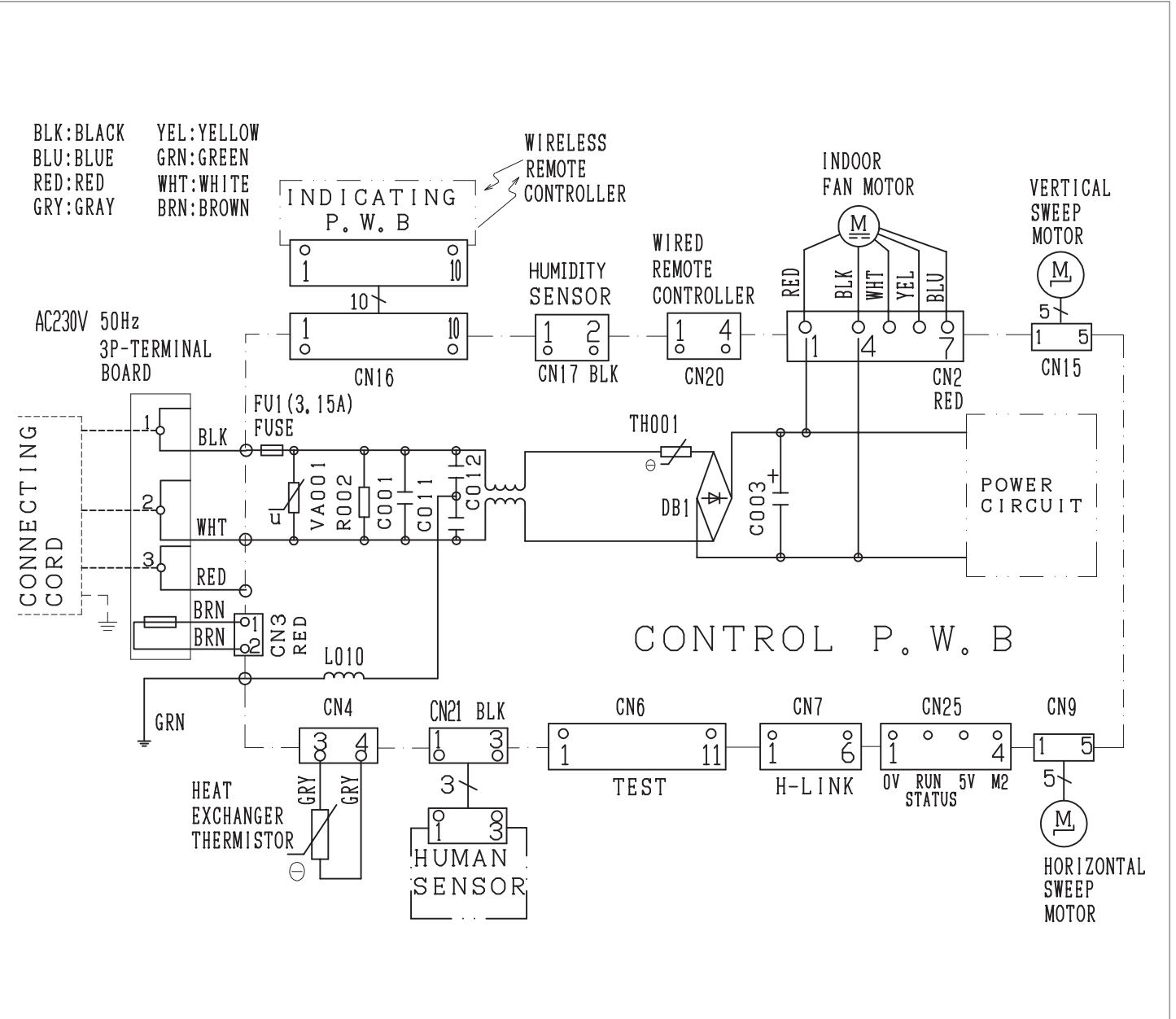


# SCHALTPLAN RAK-15QPE, RAK-18-50RPE



CAUTION! HIGH VOLTAGE	TURN OFF THE POWER SOURCE DURING THE SERVICE WORK.
--------------------------	---

\* SOME MODELS NOT NEED TO  
 INSTALL THE HORIZONTAL  
 SWEEP MOTOR, HUMIDITY SENSOR