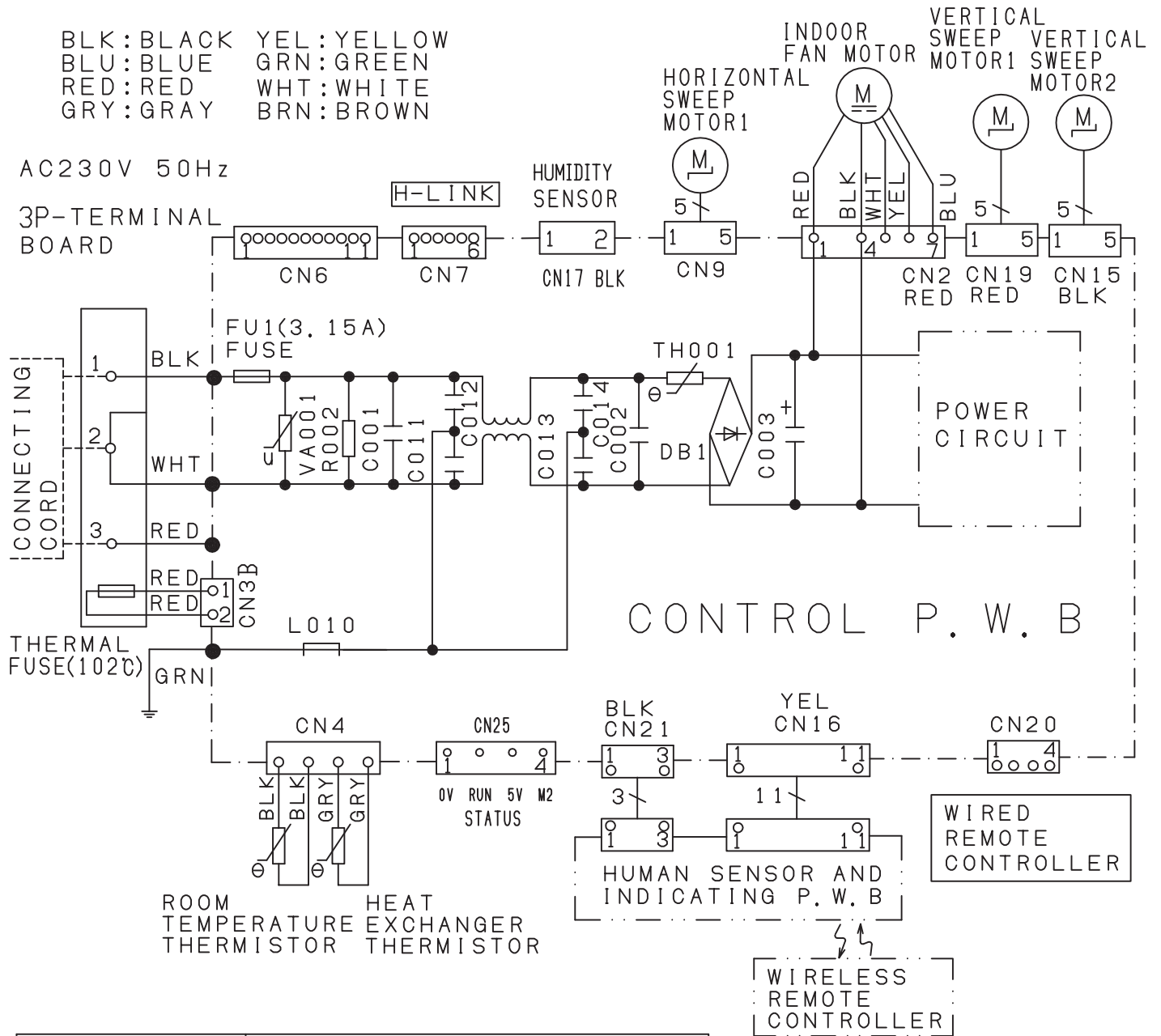


SCHALTPLAN RAK-18QXE, RAK-25-50RXE



BLK: BLACK YEL: YELLOW
 BLU: BLUE GRN: GREEN
 RED: RED WHT: WHITE
 GRY: GRAY BRN: BROWN



CAUTION! HIGH VOLTAGE TURN OFF THE POWER SOURCE DURING THE SERVICE WORK.

* SOME MODELS NOT NEED TO INSTALL THE HUMIDITY SENSOR