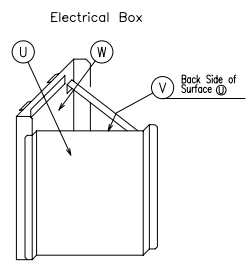
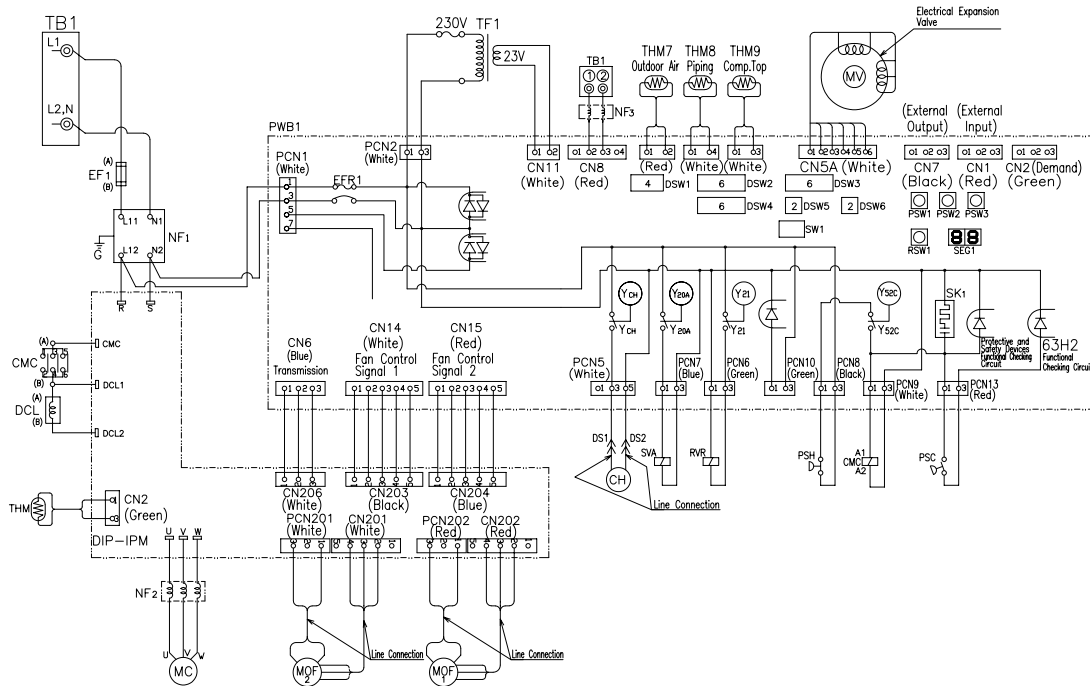
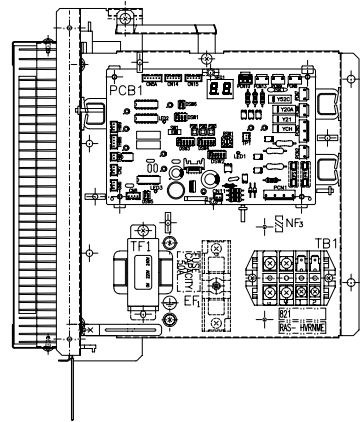


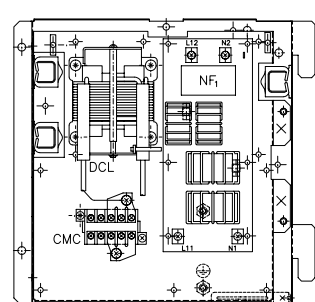
# SCHALTPLAN RAS-(4-6)HVRNME-AF



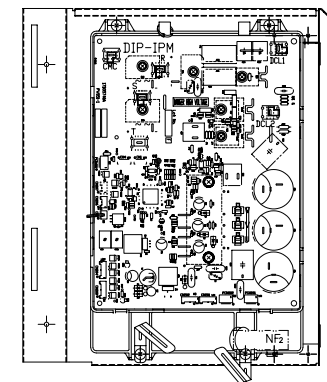
Ⓚ Surface



Ⓛ Surface



Ⓜ Surface



Mark	Name of Parts	Remarks
MC	Motor (for Compressor)	
MOF1,2	Motor (for Fan)	
EF1	Power Fuse	
CMC	Magnetic Contactor (for Compressor)	
RVR	Magnetic 4 Way Valve	
SVA	Solenoid Valve	
MV	Electrical Expansion Valve	
TB1	Terminal Board	
TF1	Transformer	
PCB1	Printed Circuit Board	
EFR1	Fuse	
Y2c	Aux.Relay (For Compressor/Magnetic Contactor)	DC Coil
Y2i	Aux.Relay(For Magnetic 4 Way Valve)	DC Coil
Y2a	Aux.Relay(For Magnetic Valve)	DC Coil
Y2b	Aux.Relay(For C Heater)	DC Coil
Y2c	Aux.Relay(For C Heater)	DC Coil
THM7	Thermistor (for Outdoor Air)	
THM8	Thermistor (for Piping)	
THM9	Thermistor (for Comp. Top)	
PSH	High Pressure Switch(for Protection)	
PSC	High Pressure Switch(for Control)	
DCL	Reactor	
DIP-IPM	Inverter Module	
NF1~3	Noise Filter	
PSW1	Switch(Forced Defrosting)	On PWB
PSW2	Switch(Checking)	On PWB
PSW3	Switch(Checking)	On PWB
DSW1	Switch(Test Run)	On PWB
DSW2	Switch(Auxiliary Option Setting)	On PWB
DSW3	Switch(Outdoor Capacity Setting)	On PWB
DSW4	Switch(Refrigerant Cycle Setting)	On PWB
DSW5	Switch	On PWB
DSW6	Switch (Power Source Setting)	On PWB
SW1	Switch(Transmission Changeover)	On PWB
DS1,2	Inserting Type Connector	
G	Ground	
CH	Crankcase Heater	