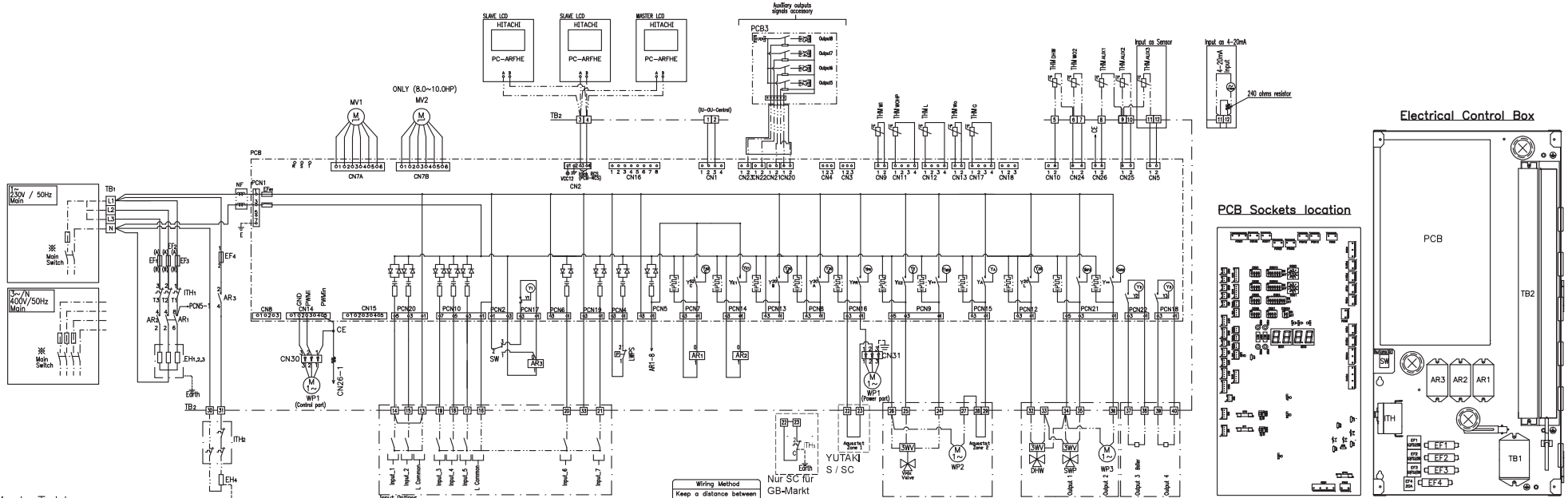


# SCHALTPLAN RWD-(2.0-3.0)NRWSE-260S



## Mark Table

AR1,2	Contactor heater step	DSW1	Additional setting (Unit Type)
AR3	Contactor heater tank	DSW2	Capacity Setting
CN30-31	Connector	DSW3,4,5,7	Additional setting
EF1,2,3	Fuse (E. Heater)	DSW6	Terminating Resistance (Setting HLINK)
EF4	Fuse (Heater Tank)	DSW8	Terminating Resistance (Setting HLINK RCS)
EF81	Fuse (PCB)	RSW1	Refrigerant address
CE	Connector	RSW2	IU address
EH1,2,3	Electrical heater	LED1-7	LEDs indication
EH4	Electrical heater (tank)	SEG1-2	Seven segments indication
LCD	User interface LCD (PC-ARFHE)	Y20c	Relay for electrical heater
LWPS	Low water pressure switch	Y21	Relay for electrical heater
MV1,2	Micro-Computer control exp. valve	Y20a	Relay for 3 way valve DHWT
NF	Noise filter	Y20b	Relay for 3 way valve SWP (output 1)
PCB	Printed Circuit Board	Y20c	Relay for mixing valve
ITH1,2,3	Thermostat	Y20d	Relay for mixing valve
TB1,2	Terminal Board	Y21	Relay for water pump 2
WP1-3	Water pumps	Y22	Relay for water pump 1
3WV <sub>DHW</sub>	3 Way valve for DHW	Y23	Relay for water pump 3 (output 2)
3WV <sub>SWP</sub>	3 Way valve for SWP	Y24	Relay for water pump 3 (output 1)
3WV <sub>Mix</sub>	3 Way valve for Mixing valve	Y25	Relay for Electrical Heater Tank
SW	Emergency Switch (DHW) E.Heater	Y26	Relay for output 3 (boiler)
THMe	Inlet water thermistor	Y27	Relay for output 4 (solar)
THM <sub>HP</sub>	Outlet HP water thermistor	Y28	Relay for output 4 (solar)
THM <sub>L</sub>	Liquid pipe thermistor	Y29	Relay for output 4 (solar)
THM <sub>O</sub>	Outlet water thermistor	Y30	Relay for output 4 (solar)
THM <sub>G</sub>	Gas pipe thermistor	Y31	Relay for output 4 (solar)
THM <sub>dh</sub>	DHW water thermistor	Y32	Relay for output 4 (solar)
THM <sub>c2</sub>	Outlet C2 water thermistor	Y33	Relay for output 4 (solar)
THM <sub>aux1,2</sub>	Auxiliar thermistor	Y34	Relay for output 4 (solar)

