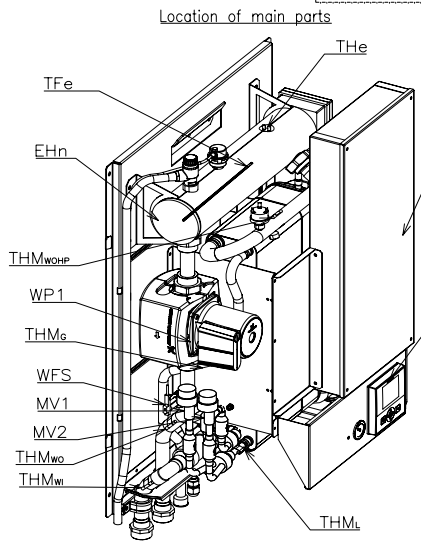


Mark Table

Mark	Part Name	Mark	Part Name
THM _{out}	Outlet boiler water thermistor	THM _g	Gas pipe thermistor
AR1	Contacteur heater step	THM _l	Liquid pipe thermistor
AR2	Contacteur heater step	THM _{wh}	DHWT water thermistor
AR3	Contacteur heater main	THM _{hp}	Outlet HP water thermistor
CN 22-26	Connector	THM _{2a}	2nd ambient sensor
DSW ₁	Additional setting	THM _{sp}	Swimming pool sensor
DSW ₂	Unit capacity code	TR12	Transformers
DSW ₃	Optional functions	Vmix	Mixing valve
DSW ₄	Additional setting	WFS	Water flow switch
DSW ₅	Not used	WP1-3	Water pumps
DSW _{6,7,8,9}	Not used	Y52 _{es}	Relay for electrical heater
EF1	Fuse	Y ₁	Relay for electrical heater
EF3	Fuse	Y ₂	Relay for 3 way valve DHWT
EF123	Fuse heater	Y ₃	Relay for 3 way valve SWP
EF4	Fuse pump	Y ₄	Relay for mixing valve left
EH123	Electrical heater	Y ₅	Relay for mixing valve right
LCD	User interface LCD	Y ₆	Relay for water pump 2
LED1-10	LEDs indication	Y ₇	Relay for water pump 3
LWPS	Low water pressure switch	Y ₈	Relay for water pump 1
MV1	Micro-Computer control exp. valve	Y ₉	Relay for boiler combination
NF1	Noise filter	Y ₁₀	Relay for DHW Electrical Heater
NKn	Spark killer	Y ₁₁	Relay for solar combination
PCB1-2-3	Printed Circuit Board	3WV _{DHW}	3 Way valve for DHW
RSW ₁₋₂	Refrigerant cycle n°	3WV _{SWP}	3 Way valve for SWP
RSW ₃₋₄	Indoor unit No. settings	S2p	Relay for primary pump
RDC1-2	Resistor	⊙	Terminals
SEG1-2	Seven segments indication	⊘	Close-end connector
S2p	Relay for primary pump	*	Field supplied
TB1-2	Terminal Board	---	Field wiring
TFe	Thermal Fuse heater	---	Earth wiring
THE	Thermostat cut heater	---	Factory wiring
THM _{in}	Inlet water thermistor		
THM _o	Outlet water thermistor		
THM _{out}	Outlet C2 water thermistor		



Electrical Control Box

PCBs Sockets location

